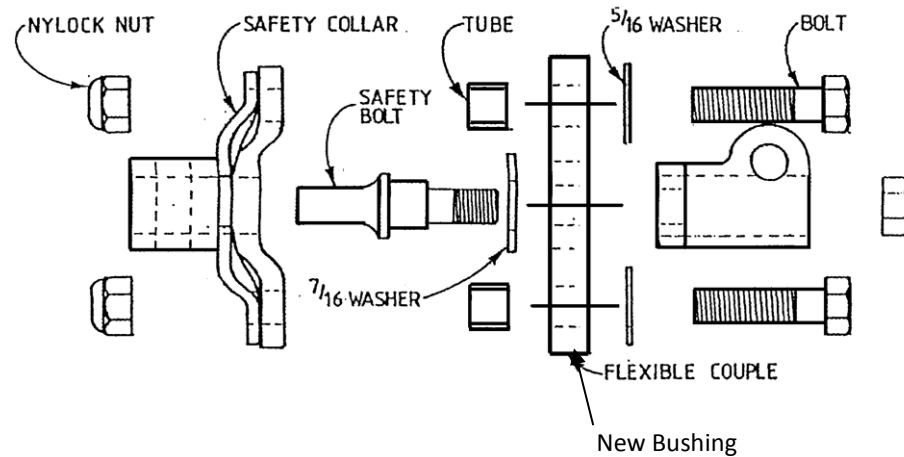


Fitting Instructions #1159IS

Ford Scort

Steering Rack & Pinion Coupling Kit



Disassembly

The rivets holding the original coupling together can be removed in two ways:

- Rivet heads can be removed by drilling them with a 3/8 drill after marking with a centre punch. Drive the rivets out with a 5/16 pin punch.

Or

- The rivet heads can be removed by grinding them flush to the surface of the spine coupling housing, ensuring that the housing is not damaged. Drive the rivets out with a 5/16 pin punch.

Assembly

Using the hardware supplied, reassemble coupling as shown in the figure below.

Special Note: the Safety Collar must be retained.