

# Fitting Instructions #3852IS

Nissan GT-R R35

## Front Lower Control Arm Rear Bushing

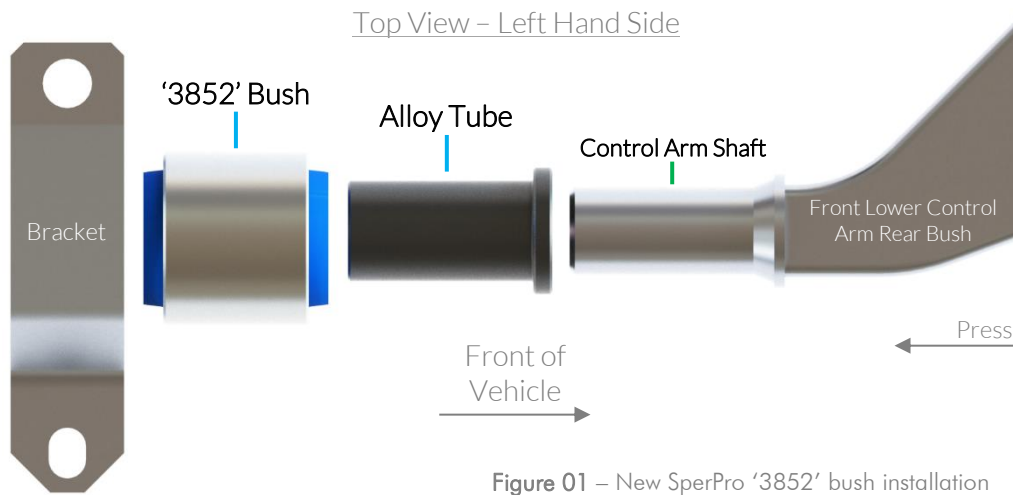


Figure 01 – New SperPro '3852' bush installation

**Note:** Polyurethane bushings must be fitted to both sides of the vehicle.

- Wheel-align the vehicle before the job is started and note settings;
- Jack the vehicle up and support on jack stands;
- Remove the lower control arms and brackets;
- Remove original shell part from the bracket with the use of a hydraulic press and suitable pressing tools;
- Position and press the bushing into the bracket, see Figure 01 and Figure 02 for details;

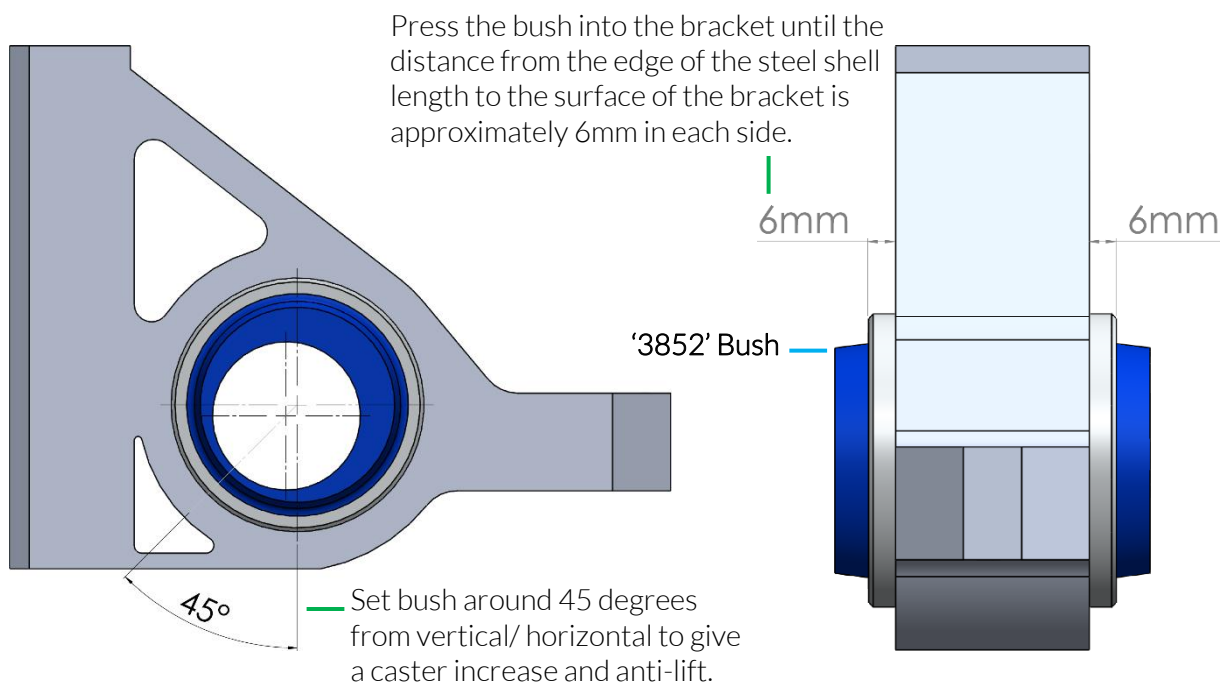
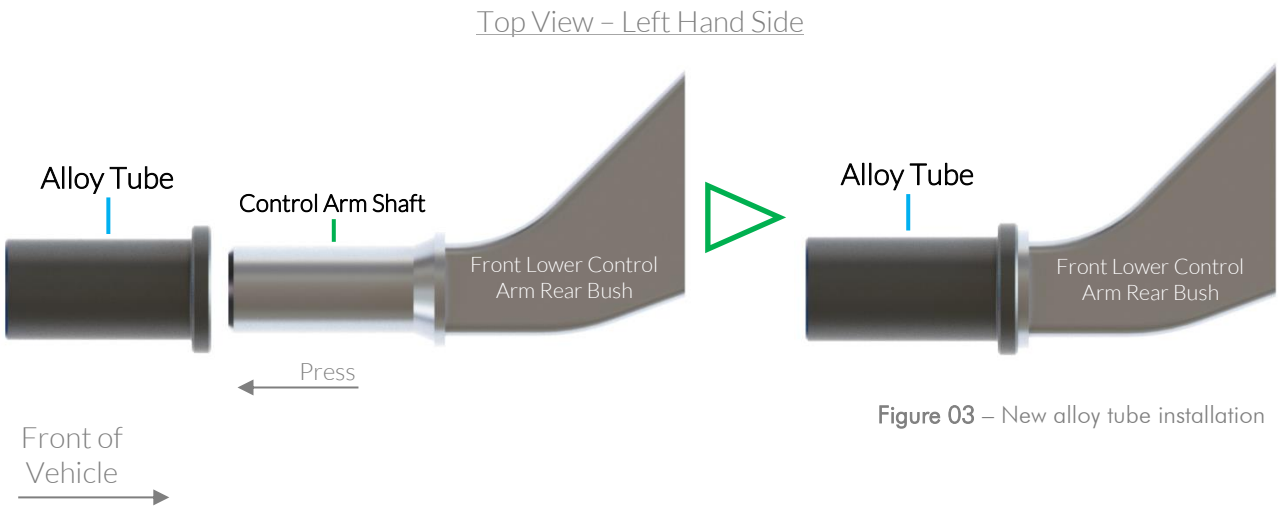


Figure 02 – '3852' bush installation

- o Press the new black alloy tube onto the control arm shaft, taking care not to damage bearing surface, Figure 03;



- o Grease and slide completed bush bracket assembly over alloy tube, Figure 04;
- o Repeat procedure to the other front lower control arm;
- o Refit the control arm to the vehicle and tighten all bolts to manufacture's torque settings;
- o Carry out a wheel alignment.

