

Fitting Instructions #3515IS

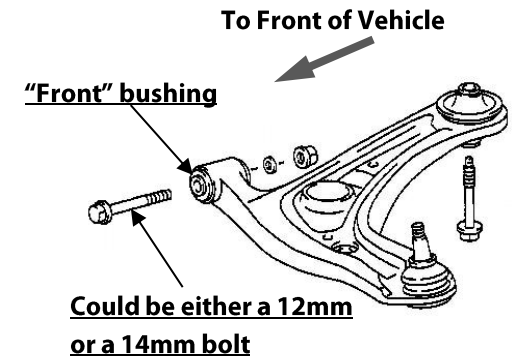
Toyota Yaris - Echo 1st Generation

Front Lower Control Arm Front Bushing (To suit Right-hand drive vehicles)



Note: Polyurethane bushes must be fitted to both sides of the vehicle.

- Remove rubber bush and clean all traces of rubber from the housing;
- Grease the inside of the bush housing. Grease the outside of the bush, and then press bush into housing;
- From the kit, choose 2 correct crush tubes **by measuring the bolt size** on the front position of the control arm.
- Grease the inside of the bush, grease the outside of the crush tube, then press tube into the bush;
- Grease each end of the bush and mating metal components.



Left Hand Side Shown

Note: All surfaces of bushing that contact metal should be greased.

