

Fitting Instructions #1403IS

Toyota Soarer

Front Control Arm Lower Inner Bushing

- With lower control arm removed from the vehicle, press the original bushings out of the arm (Including the steel outer shell part);
- The bushing for the front half of the front pivot point is marked “1403A” or “1404A”, Figure 01;
- The bushing for the rear half of the front pivot point is marked “1403B” or “1404B”, Figure 01;
- Grease the inside of the arm and press the polyurethane bushings into the housing;
- Grease the inside of the polyurethane bushings and the outside of the steel crush tubes. Then press the corresponding crush tube into the centre of the bushings.
- Refit arms into the vehicle and carry out wheel alignment;
- Ensure all fasteners are tightened to manufacturer’s specifications when vehicle is at ride height.

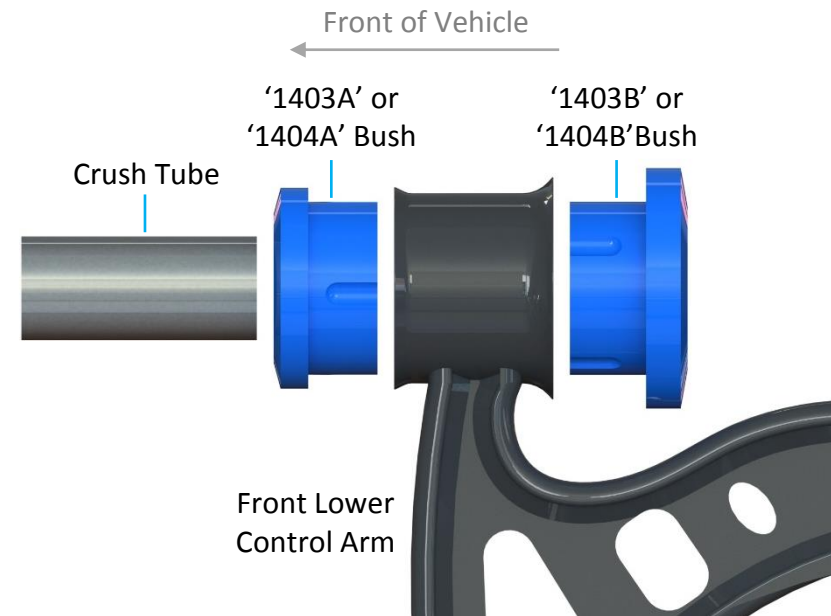


Figure 01 – Bush Installation