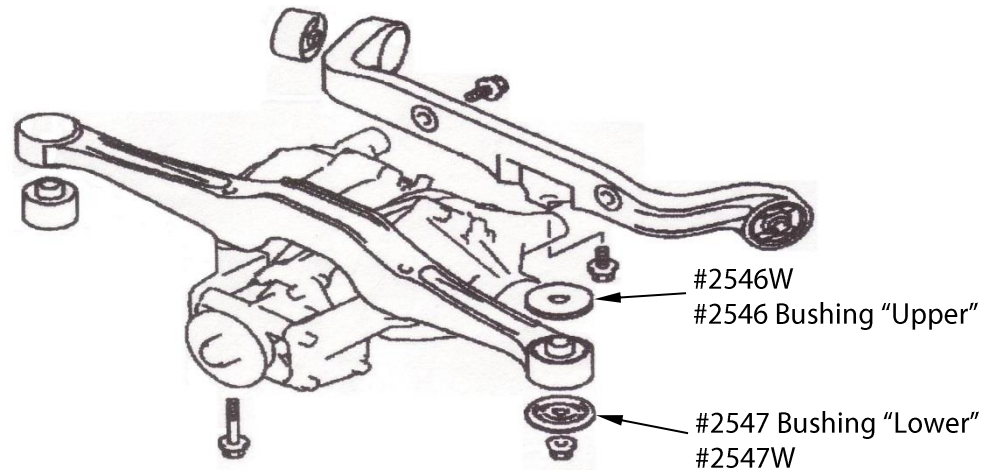


Fitting Instructions #2546IS

Mitsubishi, EVO III & Lancer GSR

Differential Pinion Bracket Mount Kit



- Jack up and support rear of vehicle to suitable working height;
- Support rear differential with suitable props/jacks that will allow it to be lowered;
- Undo main differential to vehicle attachment points and lower differential so that original thrust washers may be removed from vehicle;
- Install #2546W (Steel Washers with larger 17.3mm hole) and #2546 Polyurethane Bushings marked "UPPER" to the tops of the differential pinion bracket mounts and raise differential back into it's installed position;
- Assemble #2547 Polyurethane Bushings marked "LOWER" and #2547W (Steel Washers with smaller 14.3mm hole) onto differential mounting studs and retain with original nuts;
- Replace and re-tighten all fasteners to manufactures specifications. It is recommended that a wheel-alignment is carried out to ensure vehicle is still correctly aligned.