

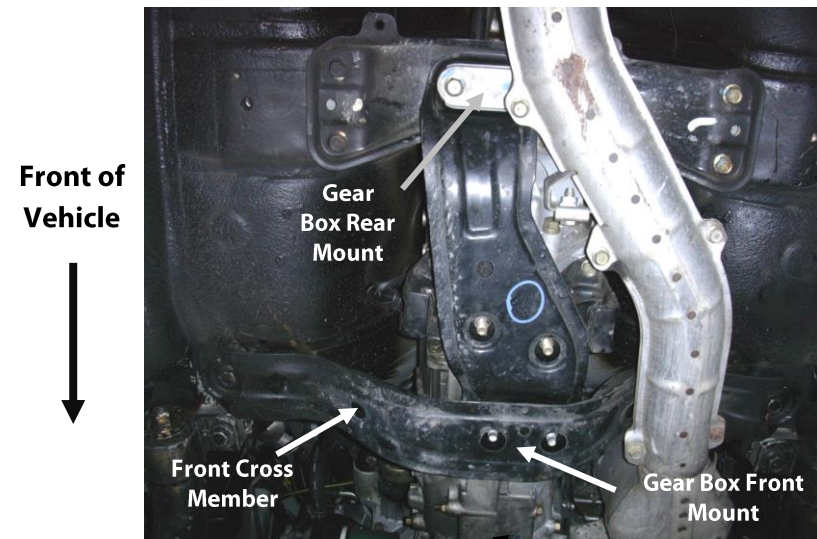
# Fitting Instructions #3199IS

## Subaru WRX Impreza GH (Third Generation)

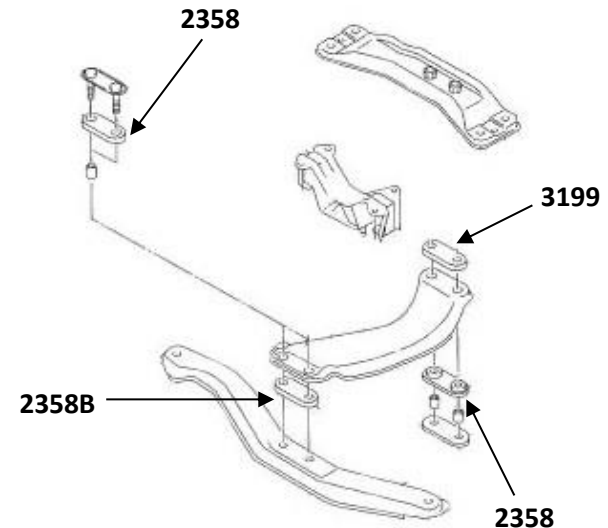
### Gearbox Cross Member Mounts

**Note:** Make sure gearbox is adequately supported with support stand before undoing cross member bolts. Take note of the bushes and crush tube orientation during disassembly and ensure that the polyurethane mounts are assembled the same as the rubber mounts. Retain all steel crush tubes.

- Jack vehicle and support chassis using floor stands;
- Support gear box using support stand to prevent gear box movement when loosening cross member and gear box mounts;
- Disassemble front cross member mount and gear box front mount;
- Remove upper and lower original rubber mounts from the gear box front mount. Retain original steel crush tubes as these will be re-used;
- Install original steel tubes into new polyurethane bushings and assemble into gear box front mount, refer to below diagram for placement according to the markings on the bushes;
- Tighten bolts back to original tension;
- Disassemble gear box rear mount;
- Remove upper and lower original rubber mounts from the gear box rear mount. Retain original steel crush tubes as these will be re-used;
- Install original steel tubes into polyurethane mounts and assemble new polyurethane mounts into gear box rear mount, refer to below diagram for placement according to the markings on the bushes;
- Tighten bolts back to original tension;
- Re-assemble cross member onto chassis;
- Remove gear box support stand.



Support Gear Box with Support Stand



This assembly process will not require a wheel alignment.