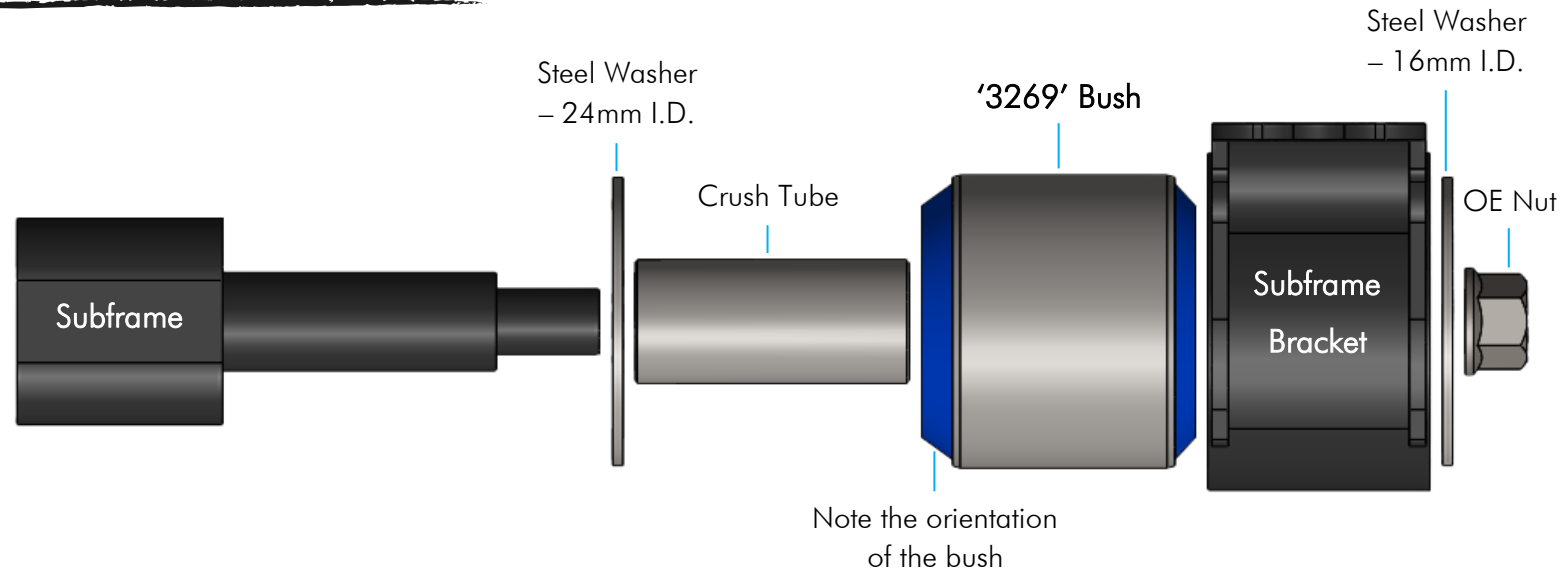


# Fitting Instructions #32697IS

Toyota Supra, Soarer / Lexus SC400

## Subframe Rear Bush Kit



- Support vehicle on jack stands/hoist;
- Support the subframe with a jack/axle stand and loosen the rear sub frame bolts;
- Lower subframe until there is enough clearance to remove the OE brackets, and make sure no wires or lines are stretched;
- Remove the OE bushes from the brackets and install the new SuperPro '3269' bushes, noting the orientation of the bush, see Figure 01 for details;
- Apply the grease provided to the bore of the bush and to the outside surface of the tube;
- Press the tube in the bush bore;
- Install the washer with 24mm of internal diameter first; the large flange of the bush with 'FRONT' marked on it should be facing this washer, towards the front of the vehicle. Then fit the bush+tube, the 16mm internal diameter washer and the OE bolt, see Figure 01;
- Tighten all the subframe bolts, shock absorber bolts and control arm bolts to the manufacture's torque settings;
- Carry out a wheel alignment.