

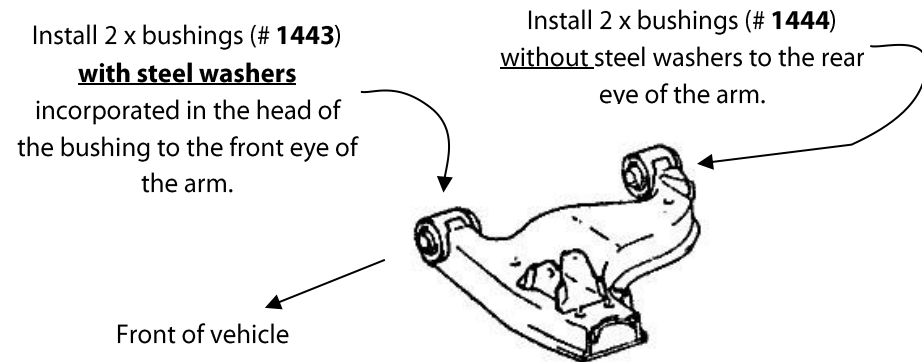
# Fitting Instructions #1443IS

Toyota Supra, Soarer

## Control Arm Lower-Inner Bushing



- Remove the control arms from the vehicle;
- Press out the old rubber bushing and the steel outer shells from the control arm. Clean the inside of the arm housing, making sure that all inner surfaces are clean;
- Use the grease supplied and apply it to the outside and the inside of the new bushings, as well as the inside of the eyes on the arms (All the bushing surfaces in contact with the arm and the inner crush tubes must be coated with the grease provided);



LHS arm shown

- Push the new bushings into the arms. Note the bushings with the steel washers incorporated in the head of the bushings (# 1443) must be fitted to the front position on the control arms, as per drawing below;
- Apply grease to the outside of the crush tubes and install the tubes into the bushings;
- Install the arms into the vehicle making sure that the bushings with washers are installed to the front position, as per the drawing below;
- Tighten all mounting nuts and bolts to the manufactures torque specifications;
- Wheel align vehicle;

**Special note:** Lower control arm main retaining bolts must be tightened with the vehicle at ride height.