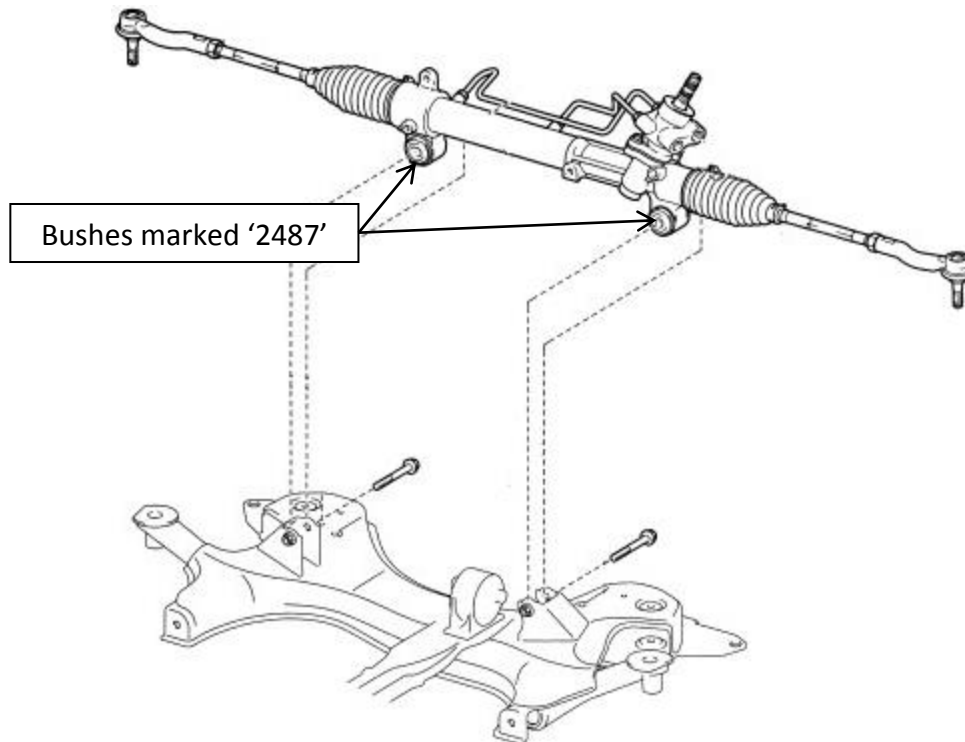


# Fitting Instructions #4122IS

Toyota Rav4 ACA20 (07/2000-07/2003)

## Front Power Steering Rack Bushes



- The O.E. bushes can be removed without the rack having to be removed.
- Disconnect the battery.
- Jack/hoist the vehicle up and support on jack stands, remove the front wheels.
- Remove the mounting bolts on the front subframe and then, lower the front subframe to gain access. Note: care must be taken to not stretch any brake lines and always support the front subframe with a separate adjustable jack stand.
- The steering rack bushes can be accessed through the wheel wells. Remove the 2 mounting bolts for the rack and remove the power steering hose clamps.
- Draw the factory bushes out with a set of booker rod and suitable spacers.
- Using emery tape to clean any burr marks. Wipe clean with a rag and apply the clear grease to the new bushes, crush tubes and the rack.
- Push in the new bushes and use multi grips or similar to push in the steel crush tubes.
- Refit all mounting bolts and hose clamps using manufactures torque settings.
- Refit the front subframe, wheels and the battery.