

# Fitting Instructions #4527IS

## Volkswagen Transporter T5

### Rear Control Arm Lower Inner Bushing

- Wheel-align the vehicle before the job is started and note settings;
- Jack the vehicle up and support on jack stands/hoist and remove the lower control arms;
- Remove original shell part from the inner housing of the arm with the use of a hydraulic press and suitable pressing tools;
- Apply the white grease to the outside surfaces of the bush and inside the housing;
- Push the new '4527' bushes according to the Figure 02, and with reference to the Figure 01, adjust the new bush with the offset bore towards the ground of the vehicle before pressing the steel shell part into the arm. **Note** that the steel shell is the last part of the bush to be pressed into the housing;
- Apply the white grease supplied to the bore of the bush and outside of the crush tube, and then press the tube in, see Figure 03.
- Apply the same procedure to the other control arm;
- Refit the control arms to the vehicle and tighten all bolts to manufacture's torque settings and carry out a wheel alignment.

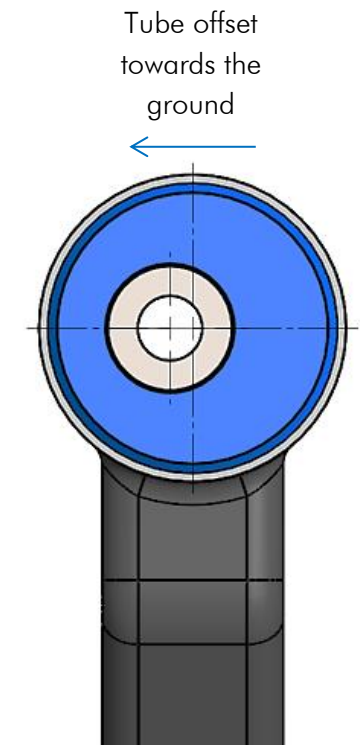


Figure 01 – RHS Control Arm Inner Side Front View

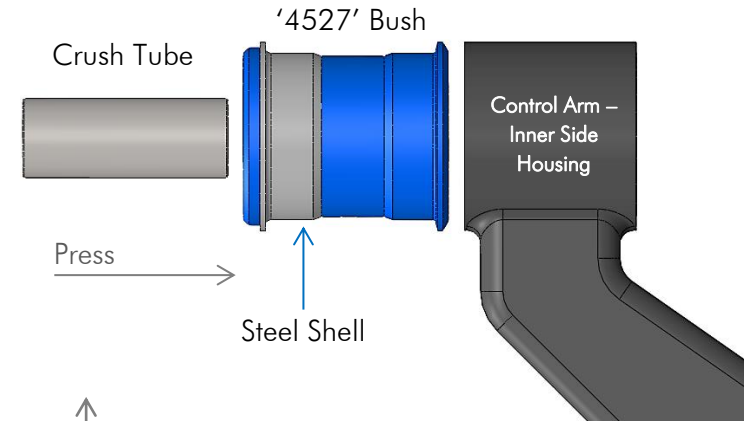


Figure 02 – RHS Control Arm Inner Side Top View

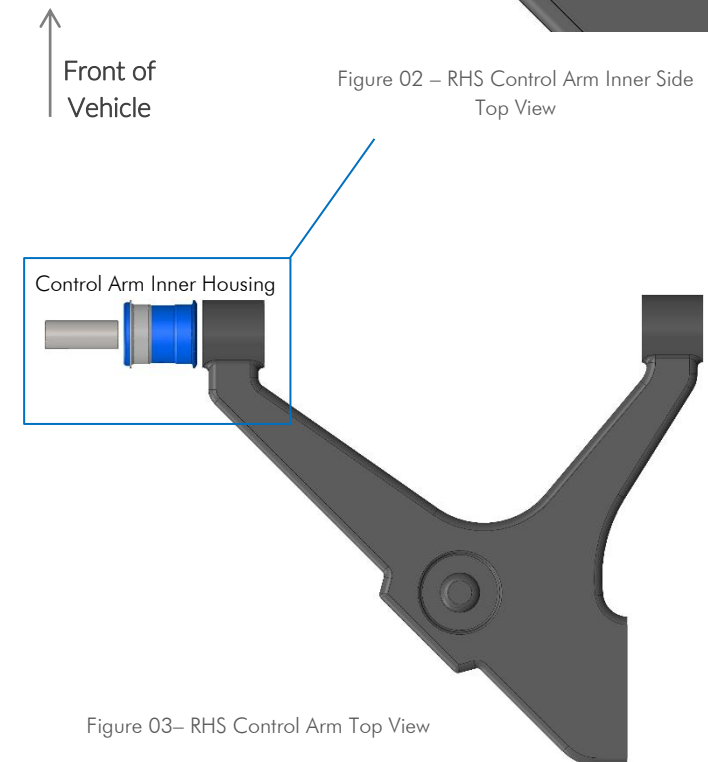


Figure 03– RHS Control Arm Top View

**Note:** Polyurethane bushings must be fitted to both sides of the vehicle. This kit should be installed by a Qualified Motor Mechanic.