

Fitting Instructions #4742IS

Ford Mustang

Rear Integral Link Replacement Kit

- o Jack the vehicle up and support on jack stands/hoist;
- o Remove the original integral link. Note that it is not necessary to remove the control arm nor the knuckle;
- o Install the new SuperPro Integral Links, noting the cone shaped end of one of the tubes should face the knuckle, see Figure 01 and Figure 02 for details;
- o Tighten all bolts to manufacture's torque settings.

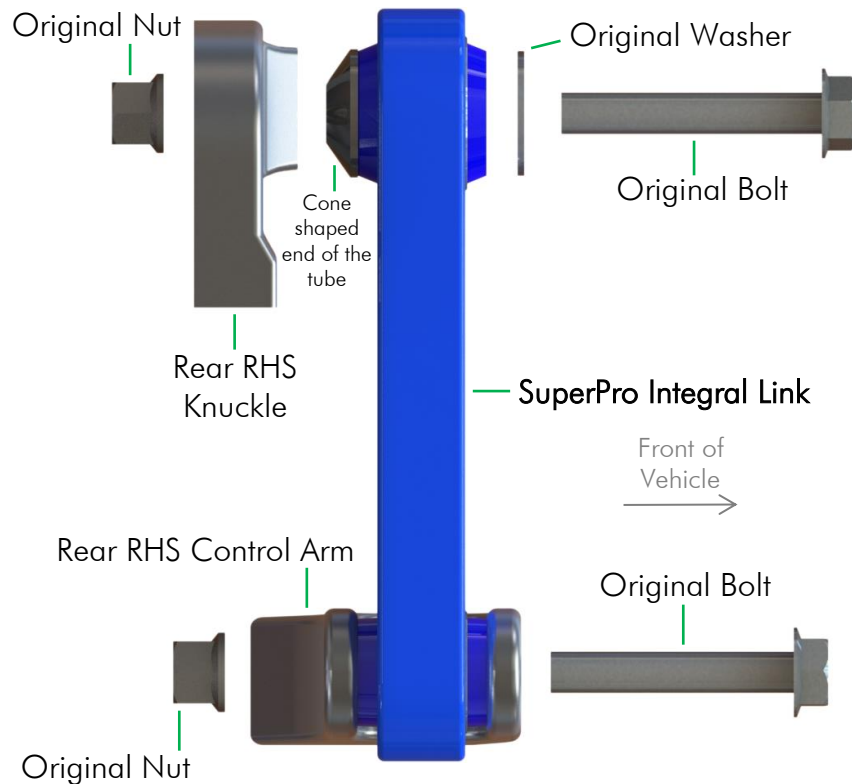


Figure 01 – Integral Link Installation - Lateral View

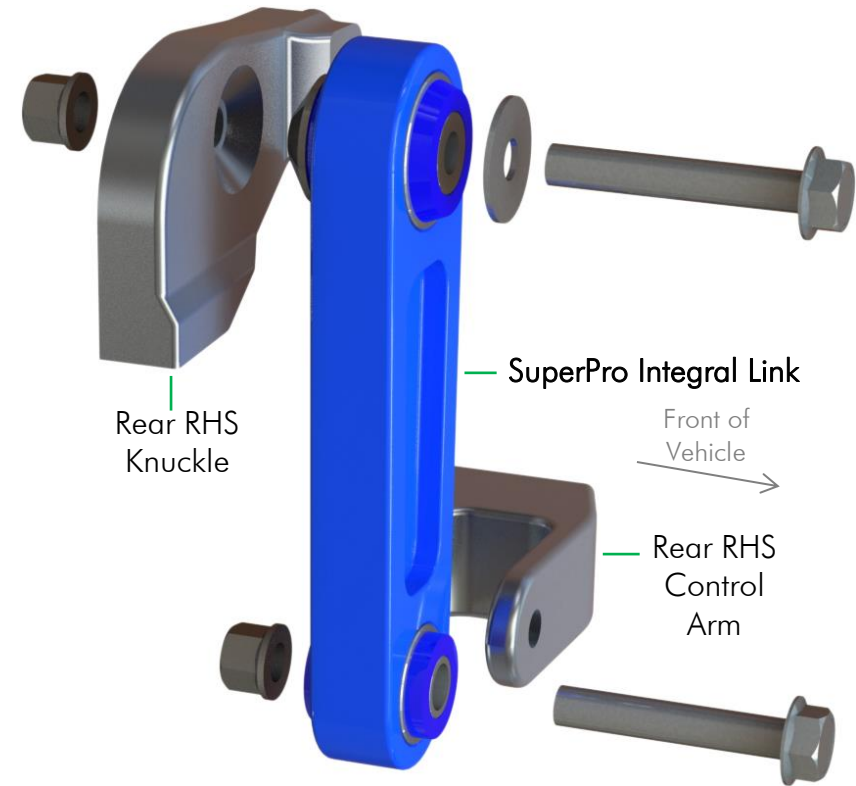


Figure 02 – Integral Link Installation