

# Fitting Instructions #5188IS

AUDI A4 (B8) - Q5

## Front Lower Front Control Arm to Sub Frame Bushing Kit

---

Note: This is a suggested method of replacing the sub frame bushings of the front lower front control arm. (Figure 1. #27) This kit replaces both left and right control arm bushes.

### Contents:

- SPF5188 (Shell Bonded Bush) x 2
- SPF5458T (Steel Crush Tube) x 2
- SPF4180W (Steel Washer) x 4

### Preparation:

- Raise the vehicle utilising an approved method and remove the front wheel assembly.
- Remove the surrounding protective plates from under the vehicle for clear access to the control arm assembly.
- Detach the sway bar link from the control arm. (Figure 1. #25, #26)
- Remove the control arm to strut bolt and move the strut aside. (Figure 1. #19, #20)
- Loosen the control arm to sub-frame bolt. (Figure 1. #28, #31)  
Note: These bolts are prone to seize and as a result it is recommended that they are soaked daily in penetrating oil prior to assist in their removal.
- Remove the ball joint nut and break the ball joint from the spindle assembly.
- Remove the bolt from the control arm to sub frame.

### Bushing:

- Press out the old bushing utilising the appropriate tools. (Booker-Rod Assembly or Hydraulic Press are recommended)
- Clean the control arm of any burrs and debris from the removal of the old bushing.
- Familiarise yourself with the bushing and its crush tube.
- Press the bushing into the arm until the shell extends beyond the control arm at equal length on both sides. (Figure 2.)
- Press a single washer to one side of the crush tube.
- Apply the supplied grease to the internal diameter of the bushing and press the crush tube into the bushing until washer contacts the bushing.
- Press a washer to the other side of the crush tube until the washer contacts the bushing.

### Reassembly:

- Loosely tighten the control arm to sub-frame bolt.
- Install the ball joint into the wheel assembly and tighten.
- Reposition the strut above the control arm and loosely tighten the nut and bolt assembly.
- Reinstall the sway bar link to control arm bolt assembly loosely.
- Raise the wheel assembly using an appropriate method until the wheel is at ride height and tighten and torque the control arm to sub frame bolt, control arm to strut bolt and control arm to sway bar link bolt.

- Continue to reassemble the rest of the vehicle ensuring all bolt-nut assemblies are torqued to manufacturer's specifications. (Typically in this application, 80Nm + 90°. Check your manufacturer's service manual for model specific torque specifications.)
- It is highly recommended that your vehicle is wheel aligned after the installation is complete.

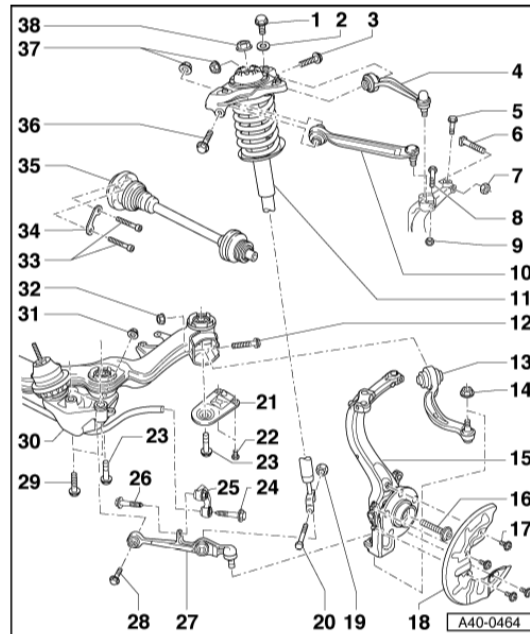


Figure 01. Front Suspension Diagram.

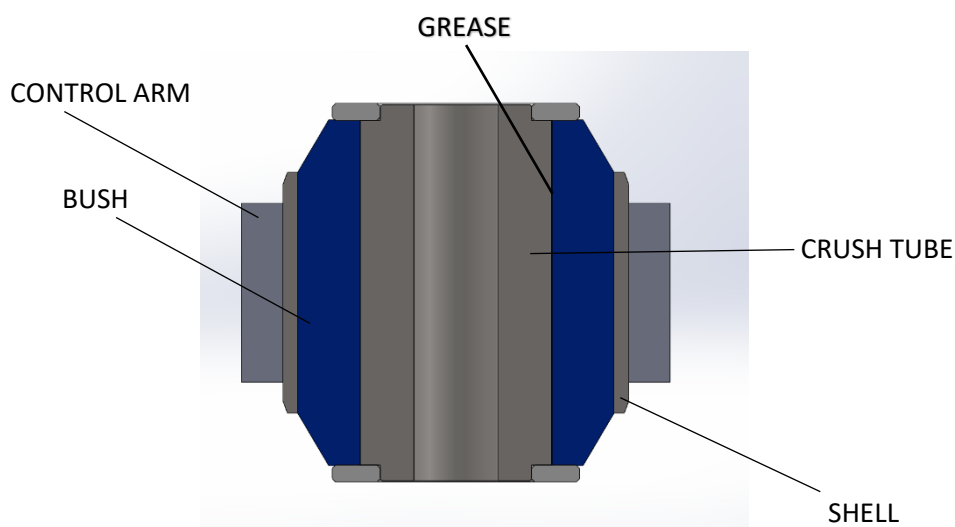


Figure 02. Bush Assembly Diagram.