

# Fitting Instructions #TRC0042IS

Isuzu DMAX 2020-On

Front Sway Bar Relocation Kit

**Note:** The factory bracket and bushings are re used in this kit.

- Supporting the sway bar remove the factory Swaybar bracket bolts and set aside.
- Lower the bar to gain access to mount the relocation mounts
- Install relocation mount to the chassis in the orientation shown in Figure 01. using the longer cap screws in the kit and tension to 53 Nm
- Remount factory swaybar bracket/bar assembly to the new relocation mount using the shorter cap screws provided and tension to 53 Nm
- Complete this process for both mounts. The final product should look as shown in Figure 02. The Swaybar now should be located further forward.

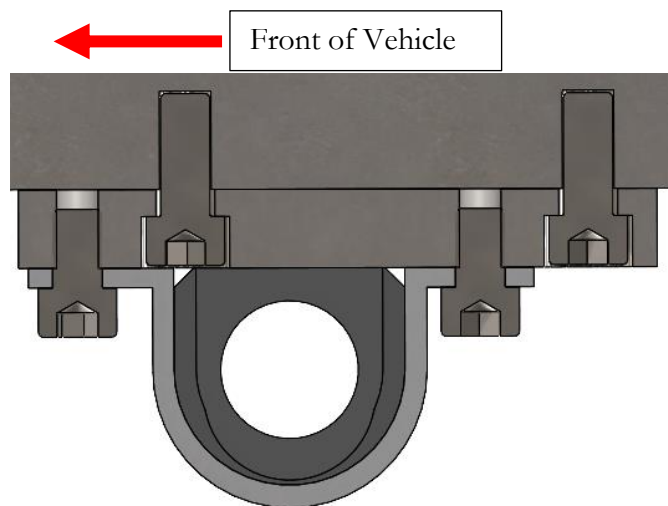


Figure 01 – Relocation Bracket Alignment



Figure 02 – Relocation Bracket in Vehicle