

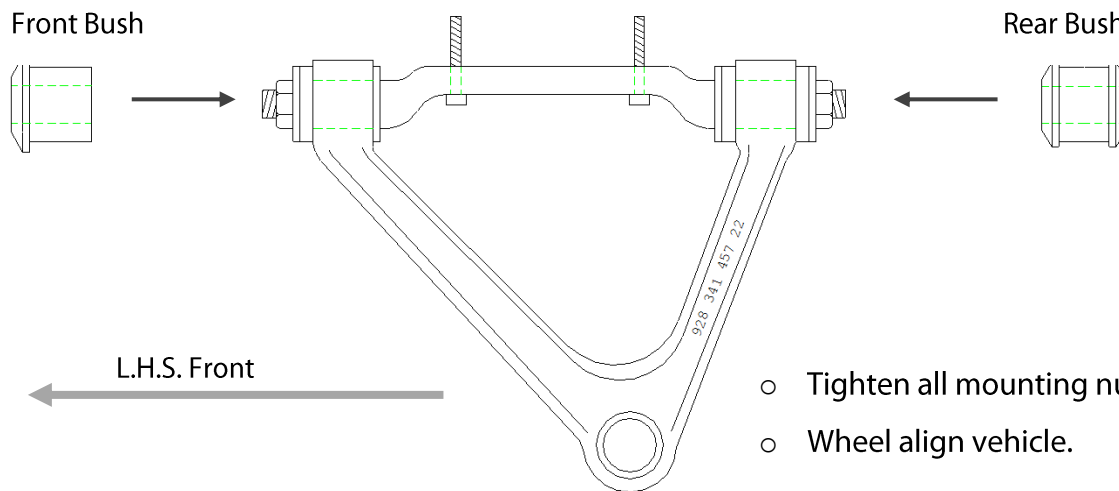
Fitting Instructions #2367IS

PORSCHE 928

Control Arm Upper Inner Kit



- Remove the control arms from the vehicle;
- Press out the rubber bushing from the control arm. Clean the inside of the arm eyes, making sure that all the rubber has been removed and that all the inner surfaces are clean;
- Use the grease supplied and apply it to the outside and the inside of the new bushing, as well as the inside of the eyes on the arms (All the bushing surfaces in contact with the arm and the crush tube must be coated with the grease provided);
- Push the new bushings into the arms noting orientation as per drawing below;
- Apply grease to the outside of the crush tubes and install the tubes into the bushings;
- Install the arms into the vehicle making sure that the washers are installed on the inside of the arm, as per the drawing below;



- Tighten all mounting nuts and bolts to the manufactures torque specifications;
- Wheel align vehicle.

Special note: Upper control arm main retaining bolts must be tightened with the vehicle at ride height.