

Fitting Instructions #4646IS

Mitsubishi Pajero

Front Upper Shock Absorber Bushing

- Jack vehicle up and put on stands/hoist;
- Remove the front shock absorbers;
- Remove OE bushing and clean up any left material;
- Use grease supplied to lubricate all metal to polyurethane contact surfaces;
- Install the upper mount bushes, as shown in the Figure 01. Note the concave side of the washer should face outwards in relation to the bush;
- Reinstall the shock absorbers to the vehicle and tighten all the bolts to the manufacturer's torque settings.

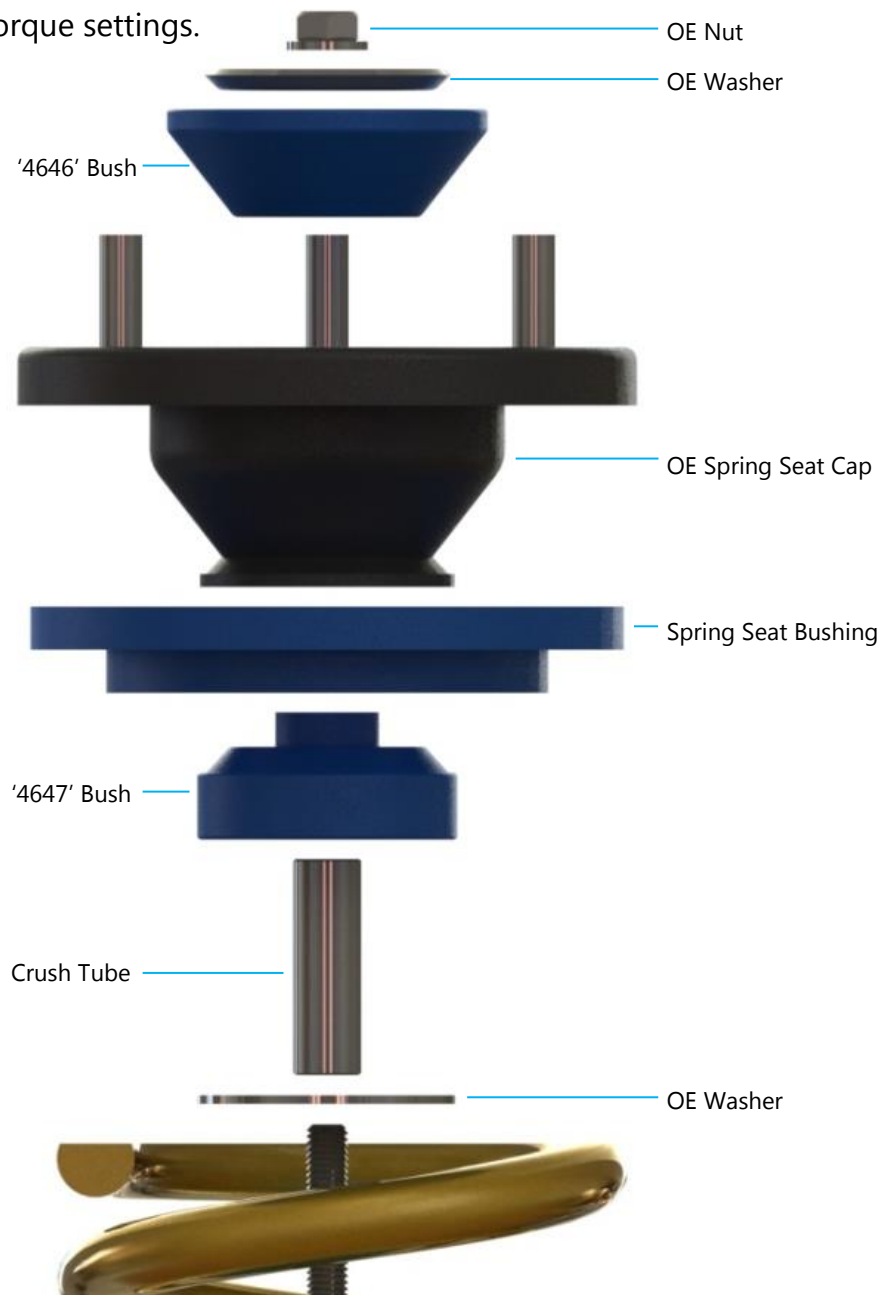


Figure 01 – SPF4646K kit installation