

Fitting Instructions #1535IS

Suzuki

Rear Radius Arm to Differential Mount Bushing Kit



- o Jack vehicle up and put on stands/hoist, remove the rear radius arms;
- o Remove the factory bushes, and clean housing areas to remove any old original bushing material before installing new bushes;
- o Apply the grease supplied to the housing and the outside of the bush, then push the new bushes in, see Figure 2;
- o To fit the crush tube into the bushes, apply the grease supplied to the bore of the bush and the outside of the crush tube, then push the tube in;
- o Repeat process to install the bush into the other radius arm;
- o Refit the radius arms, ensuring that you use manufacturer's torque settings on all fasteners;
- o Carry out a wheel alignment.

Type your text

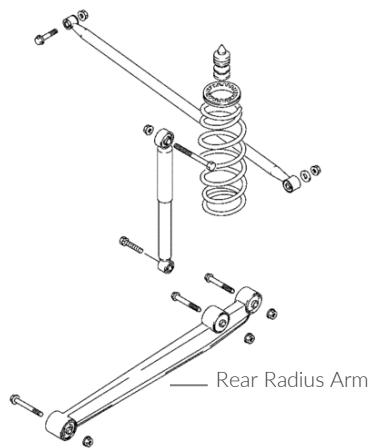


Figure 1 - Rear Suspension

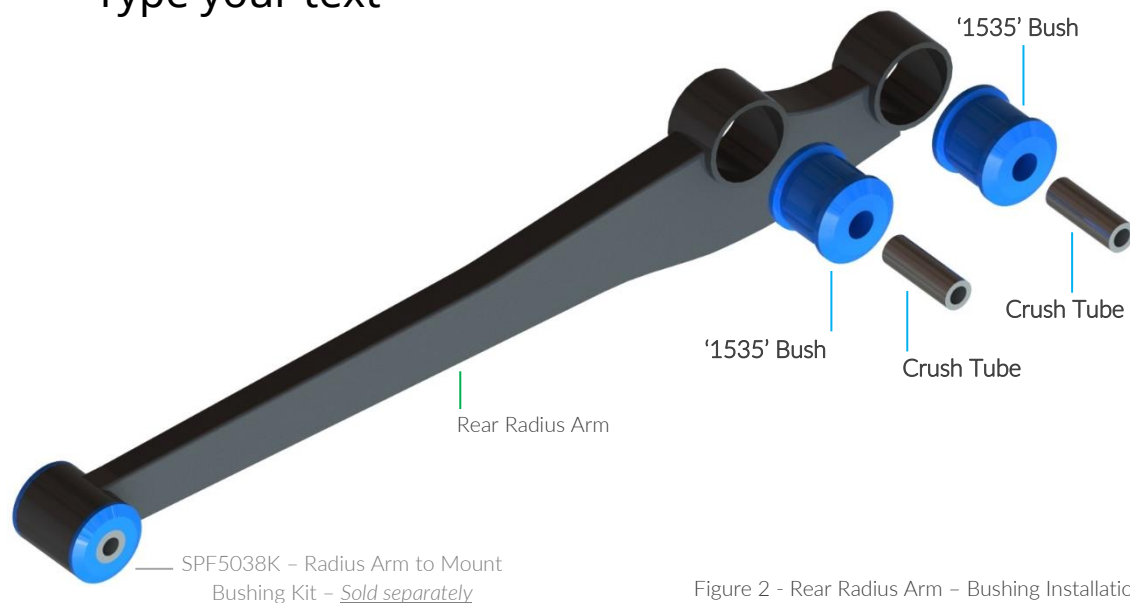


Figure 2 - Rear Radius Arm - Bushing Installation