

## Fitting Instructions #5171IS

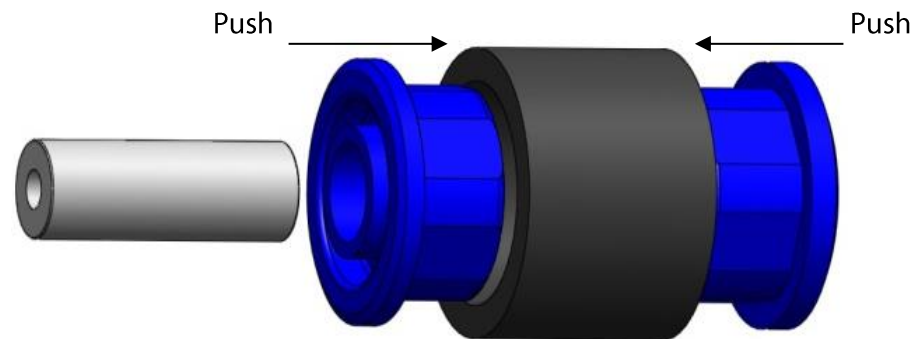
Toyota Corolla/Prius (03/2007 – 12/2019)

### Beam Axle Bushing (Rear)



**Note:** Polyurethane bushes must be fitted to both sides of the vehicle. It is recommended that all work is carried out by a qualified mechanic.

- Jack the vehicle and support on hoist/jack stands.
- Following factory service manual, remove the beam axle from the vehicle.
- An air chisel would be an ideal tool to remove the factory beam axle bushes. Remove the rubber with suitable pressing sleeves and booker rod set and then, cut the factory shell and chisel it out. *Note:* Care must be taken to not damage the housing.
- Clean housing areas to remove any old original bushing materials.
- Install the new polyurethane bushing with reference to the diagram below. Ensure that the bushes are greased up before installation.



- When installing the supplied crush tube, lubricate the bore of the new bush and the outside of the steel crush tube. Then, push the steel crush tube into the bushes.
- Repeat the procedure for the other end.
- Refit Rear Beam Axle to the vehicle ensuring that you tighten all mounting bolts to manufacturer's specifications.
- Recheck all bolts after 1000kms.