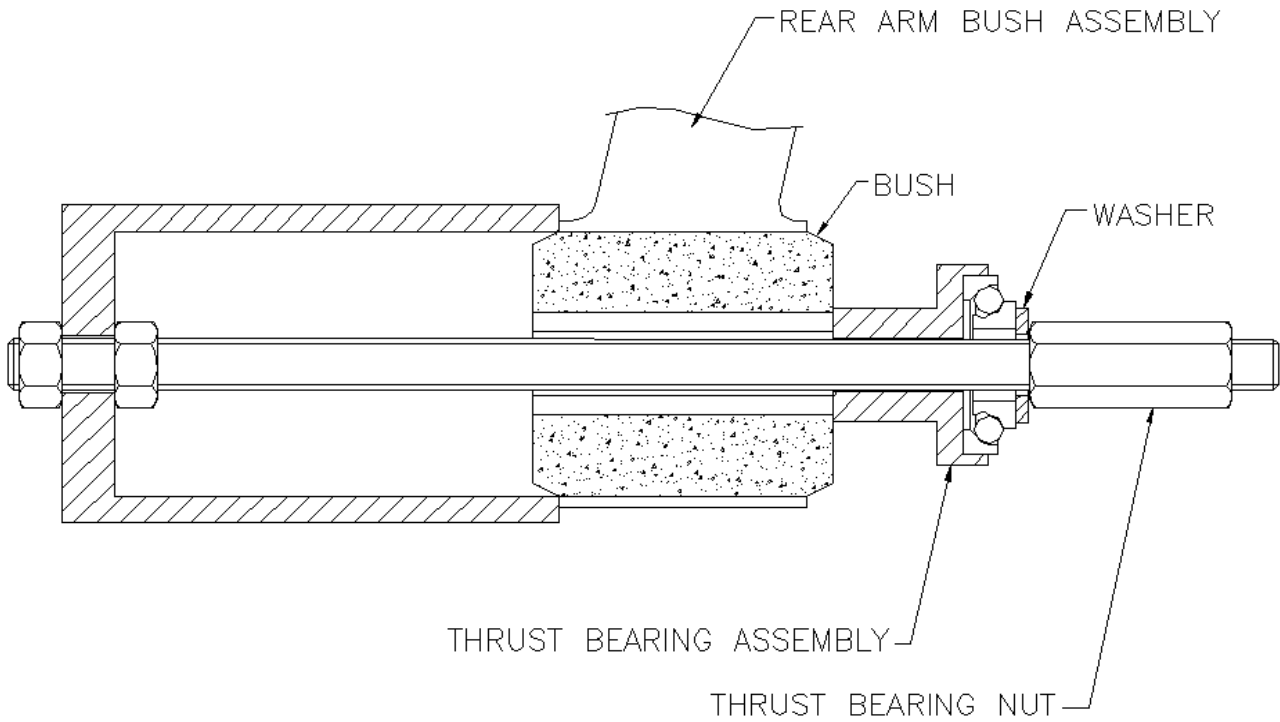


Fitting Instructions #3211IS

Commodore IRS

Bush Removal Tool



- Assemble tool as per above diagram;
- Tighten Thrust Bearing Nut (with hand tools only) till bush is extracted from control arm .

NOTE:

- Use hand tools only for thrust bearing nut, do not use any air tools;
- Grease thread periodically to stop binding, EP grease is preferred.

