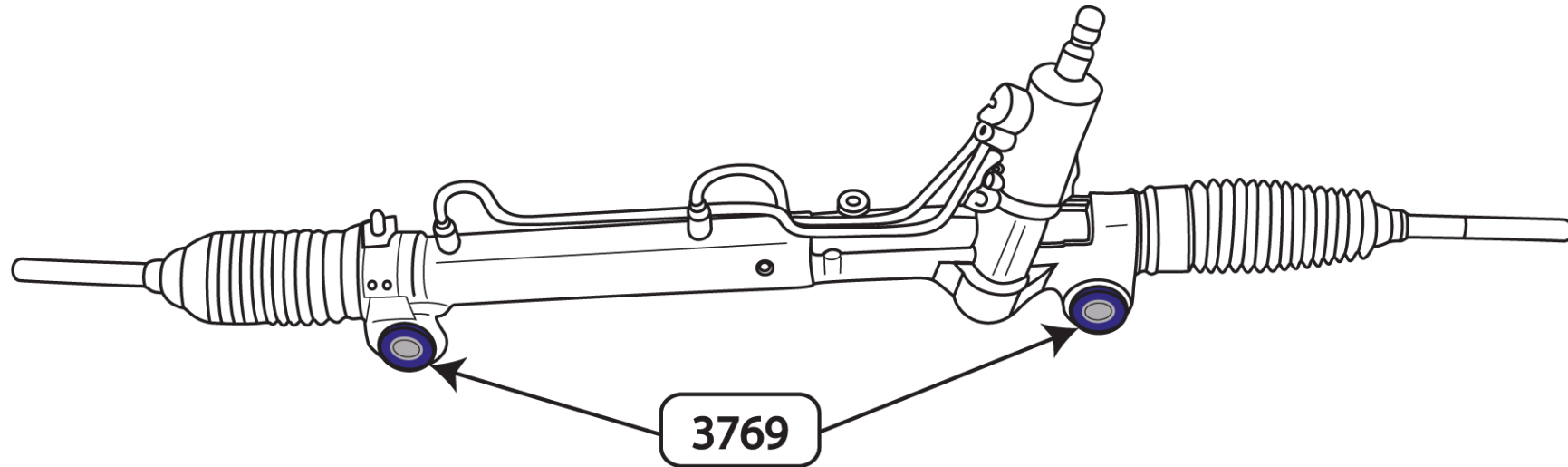


## Fitting Instructions #3769IS

Toyota Aurion ACV4/5 GCV4/5 Camry XV40 Kluger U4

### Steering Rack & Pinion Mount Bushing



- Jack/hoist the vehicle up and support on jack stands, remove the underbody covers.
- Disconnect power steering lines. Remove the steering rack, cross member and rear engine mount bolts. Disconnect ball joints and remove cross member. Place an alignment mark on the steering knuckle and disconnect from rack. Remove rack from car.
- Using an air chisel and suitable pressing techniques, remove the factory bonded steel shell bushes from the rack.
- Using emery tape clean any bur marks inside the bore. Wipe clean with a rag and apply the grease to the new bushes, crush tubes and the rack.
- Noting the position of the bushes in the above diagram push in the new bushes by hand and using multi grips or similar push in the metal crush tube.
- Reinstall rack, knuckle, cross member and all bolts to manufacturer torque specs. Refill and bleed power steering system.
- Wheel align vehicle.