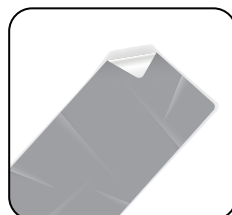


WHITELINE DECAL PACK

Car Decal Instructions
How to apply your car Decal.



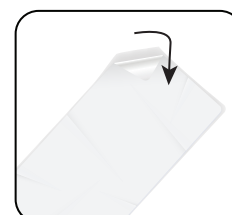
1. CLEAN: Wipe clean the window or surface you are applying the decal to with a mild cleaner. Allow to dry.



PEEL: Carefully peel off the backing layer from the decal. (Only the vinyl and the clear transfer layer should remain).



3. APPLY: Place your decal on the window. Use a credit card to rub and smooth the decal onto the window.

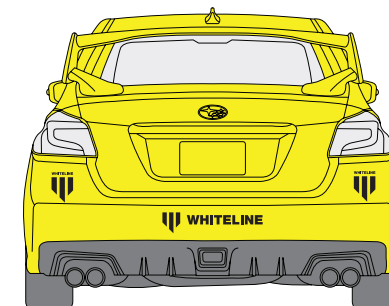
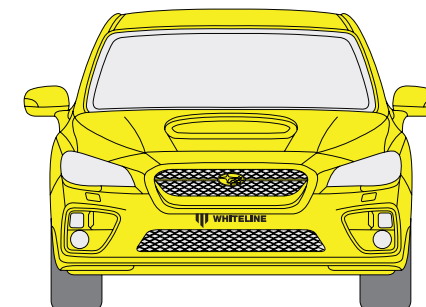
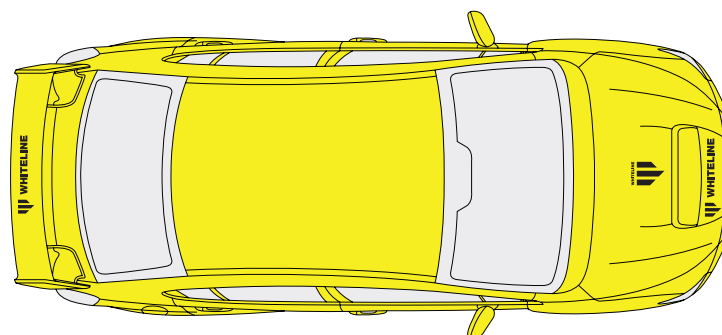
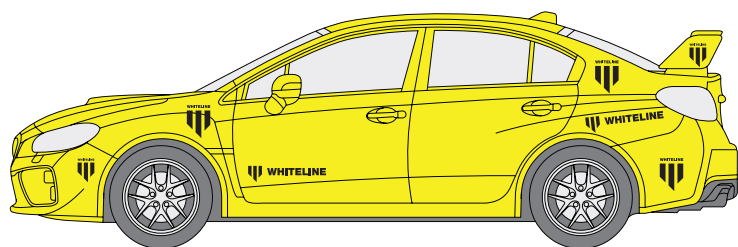


4. REMOVE: If you decal has transfer paper or is diecut Now remove the clear transfer layer by peeling it off starting from the corner. (Only the vinyl decal should remain).

Dont forget to share
your Vehicle
#whiteline #gripactivated



Subaru Impreza WRX STI Ideal Locations for Whiteline decal positioning.



Whiteline Black Decal Pack



- 500 mm Landscape x 2
- 350 mm Landscape x 2
- 200 mm Landscape x 2

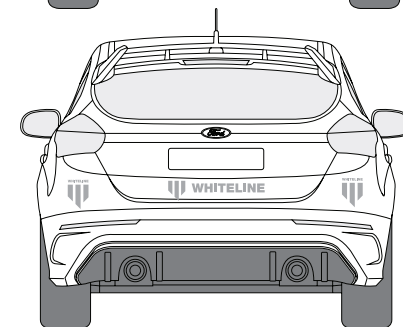
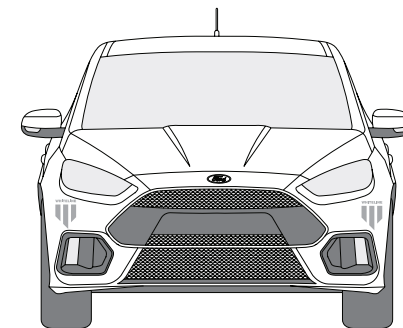
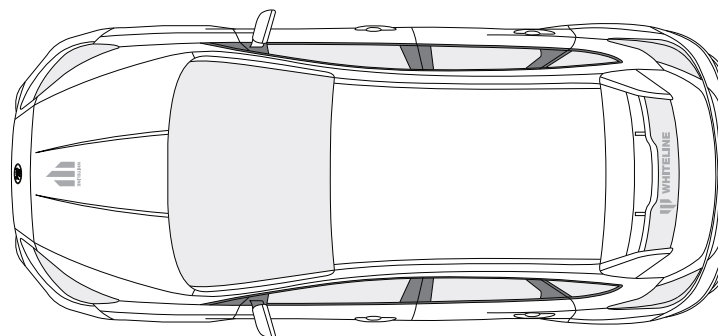
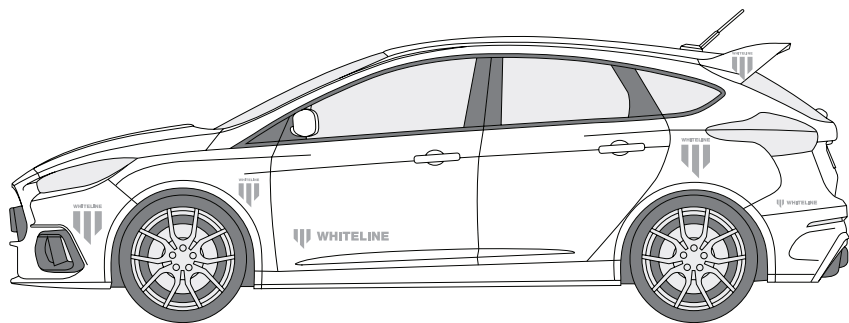


- 150 mm Portrait x 2
- 100 mm Portrait x 2

Share your car:
#whiteline #gripactivated



Ford Focus RS Ideal Locations for Whiteline decal positioning.



Whiteline Silver Decal Pack



500 mm Landscape x 2
350 mm Landscape x 2
200 mm Landscape x 2

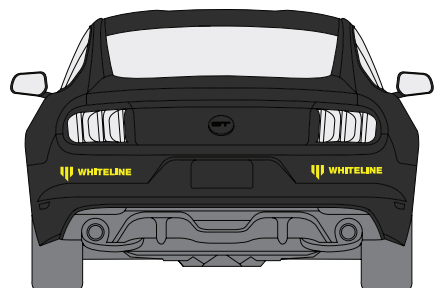
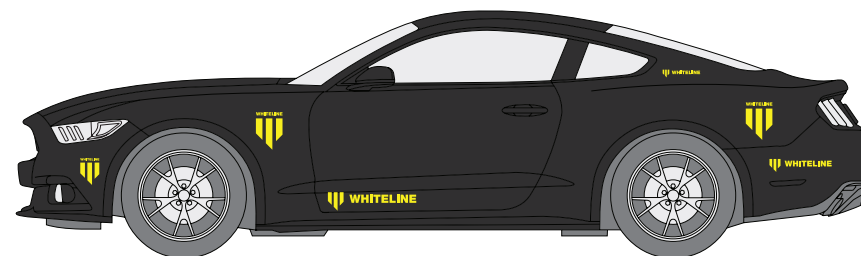
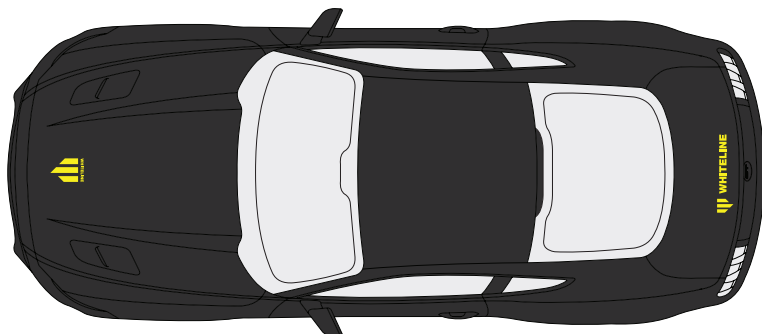


150 mm Portrait x 2
100 mm Portrait x 2

Share your car:
#whiteline #gripactivated



Ford Mustang GT Ideal Locations for Whiteline decal positioning.



Whiteline Yellow Decal Pack



500 mm Landscape x 2
350 mm Landscape x 2
200 mm Landscape x 2



150 mm Portrait x 2
100 mm Portrait x 2

Share your car:
#whiteline #gripactivated

