

Fitting Instructions

BWR22 / BWR22Z / BWR22XZ

Code: Z5074

Application:

VW Golf, Mark 4.

Full kit rear swaybar to suit all vehicles, excl. 4 motion.

Always refer to current catalogue for complete application listing.

Specifications:

- BWR22 - 22mm non-adjustable full kit swaybar
- BWR22Z - 22mm adjustable full kit swaybar
- BWR22XZ - 24mm adjustable full kit swaybar

Contents:

1. 1 x Swaybar
2. 2 x Chassis mount 'D' bushes 22/24mm I.D centre
3. 2 x M10 x 1.5 x 90 bolts
4. 2 x M10 x 1.5 x 55 bolts
5. 8 x M10x1.5 nyloc
6. 4 x washers
7. 2 x U-bolts,
8. 2 x 5mm steel plates.
9. 2 x Double eye swaybar links (with bushes and crush tubes)
10. 2 x D-bush mounting (saddle) brackets
11. 1 x Grease sachet.

Fitting:

Please read complete fitting instructions and check kit components prior to fitment.

1. Raise the rear of the vehicle to gain access for the installation by the use of a drive on hoist / ramps.
2. Loosen and remove rear lower shock absorber bolts.
3. Fit the supplied M10x1.5x90mm bolt through the shock absorber housing.
4. Assemble sway bar end links using Fig.2 as a guide for washer positioning.
5. Apply grease to the inside of poly D-bushes, and fit onto the swaybar and shock absorber housing.
6. Using mounting (saddle) brackets, U-bolts, steel plates and nyloc nuts, loosely fit the swaybar onto the swing arm, refer to Fig.'s 3 & 4. It is recommended to remove excess thread from U-bolts on completion of sway bar fitment.
7. Connect the links to the inside edge of the swaybar using the M10 (55mm long) bolts, washers and nuts, refer to Fig.4. For adjustable swaybars, connect to the desired adjustment position, refer to Fig 1.
8. Tighten all nuts and bolts.
9. Check & re-tension all fittings again after 100km's but no more than 200km's.
10. For noise and friction free operation, carry out periodic inspections and maintain proper bush lubrication.

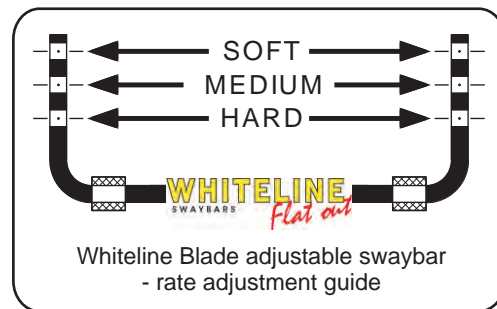


Fig. 1: Sway bar adjustment guide.

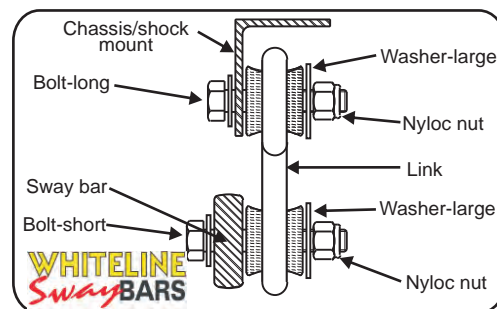
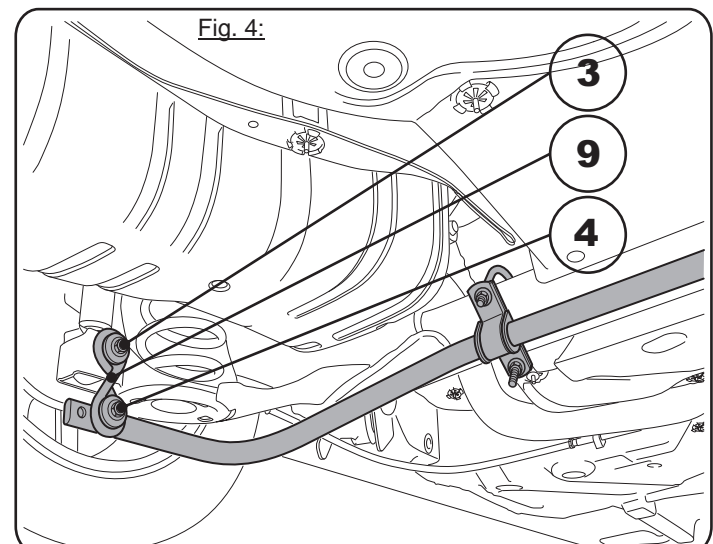
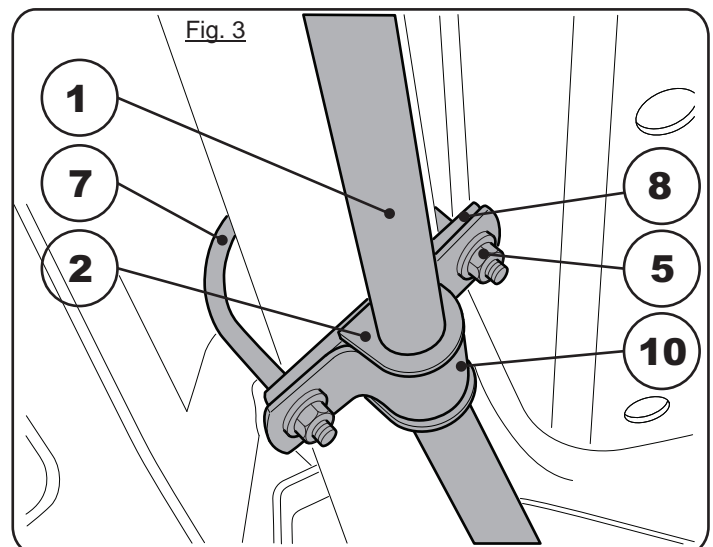


Fig. 2: Link assembly guide



Warning: Please drive carefully while you accustom yourself to the changed vehicle behaviour.