

Installation Guide

Rear Beam Axle Bushes

Z 5087

VW Golf A4 chassis (Mk 4) 1999 - 2006

VW Beetle A4 chassis (Mk4) 1998 - On

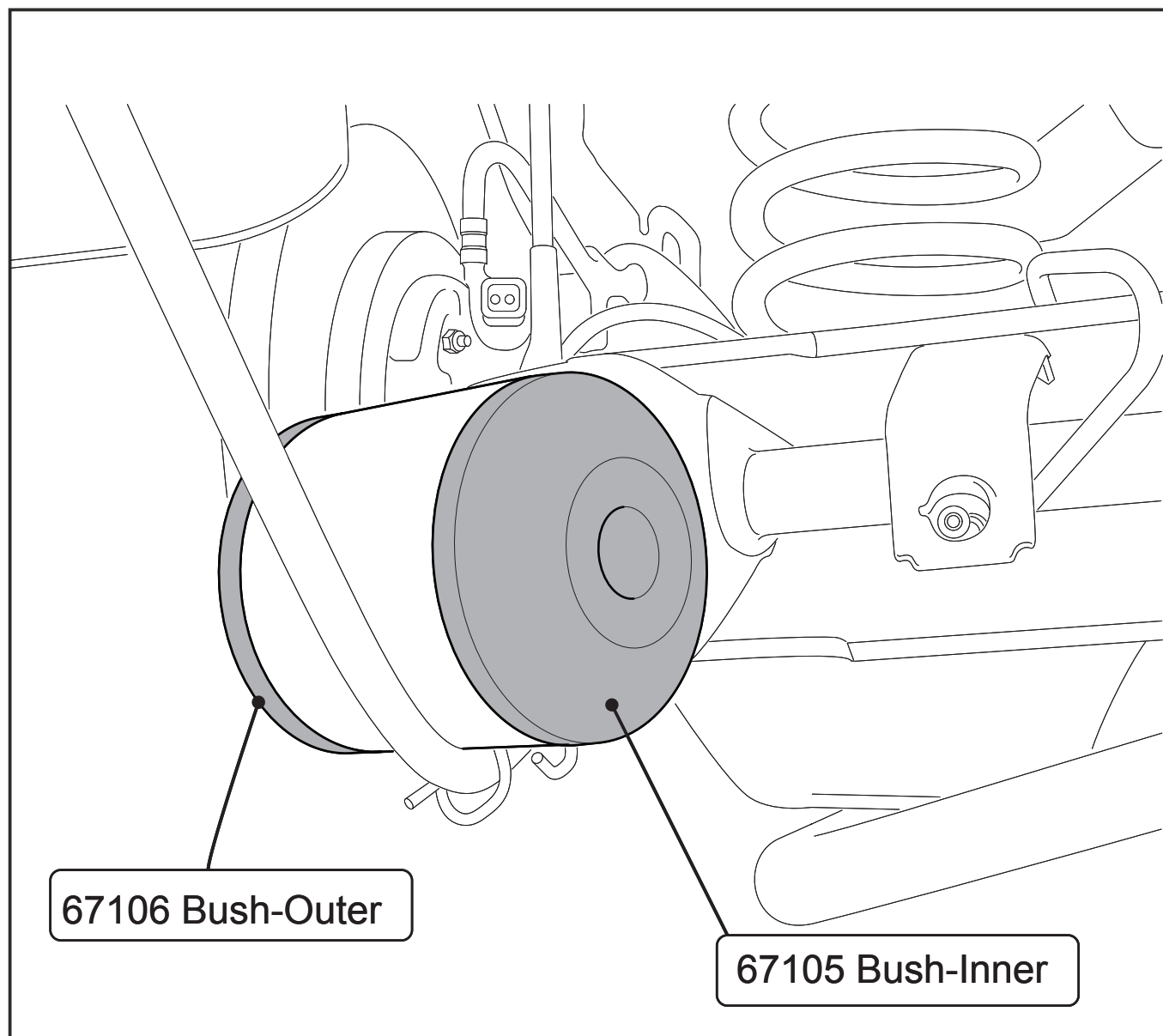
AUDI TT Mk1 Coupe 1999 - 2006

VW Polo - 2002 - 2007

VW Bora - 1998 - 2001

(Always refer to the current catalogue for complete application listings)

N.B: This installation guide should be used in conjunction with the workshop manual.



N.B: It is recommended that a licenced workshop or trades person carry out the above procedure and that workshop manual and relevant safety procedures are followed in addition to the above.