

General Fitting Guide - For WHITELINE swaybars.

Page 1 of 2

Universal swaybar fitting guide for replacement and full kit swaybars, to be used whenever specific fitting instructions are not supplied or as a supplementary fitting instruction sheet.

Sound motor vehicle mechanical knowledge is expected.

Stage 1. Swaybar fitment.

- For replacement type swaybars, take note of the fitment, alignment and clearances of OEM swaybar, endlink and any other associated components before removing.
- Apply supplied grease to the contact surfaces of new bushings.
- Place the swaybar in position and connect to the chassis. Parts supplied, procedure to follow and configuration type will vary between individual swaybars.
- In some cases, it may be necessary to raise the vehicle and/or remove road wheels and/or suspension, drive-train or exhaust system components. It is critical that vehicle is safely secured on hoist or on chassis stands.

If suspension components need to be removed, it may be beneficial to measure original wheel alignment settings before continuing

- Proper safety procedures must be followed, and care taken. Be extra careful when working with hot components.
- Always use new hardware if supplied.
- Only tighten fittings with the vehicle at ride height.

Stage 2. Swaybar link assembly fitment and adjustment.

- Swaybar endlink assembly, fitment and tensioning is best done with the vehicle at normal ride height to ensure correct alignment, clearance and operation.
- Fit the swaybar link assembly in place. Parts supplied, procedure to follow and configuration type will vary between individual swaybars.
- For replacement type swaybars supplied without links, re-use factory links and hardware.
- For swaybars supplied with new links and hardware, refer to Figures 1 to 4 for bushing type endlink and their correct assembly. Refer page 2 for Ball-style.
- Whiteline Blade adjustable swaybars vary between 2, 3 and 4 holes per side, depending on application. Refer to Fig. 5 to work out the desired setting on how to connect the endlink. If multi-hole endlink brackets are supplied, choose the hole that maintains the endlink close to vertical.

Caution: WHITELINE recommends starting with softer setting rather than harder.

- Always use new hardware if supplied.
- Tighten all fittings with the vehicle at ride height.

Caution: Do not over tighten swaybar pin type link bushes, refer Fig 1. Nuts should be tightened until washer meets the bush & stops rotating. Then tighten a further $\frac{2}{3}$ of a turn. Over tightening compresses and pre-loads the polyurethane bush which reduces articulation and may cause premature failure.

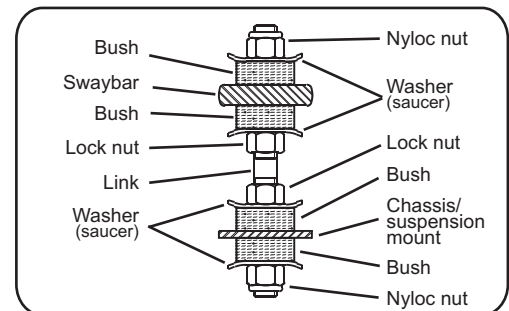


Fig.1. Whiteline double pin type link.

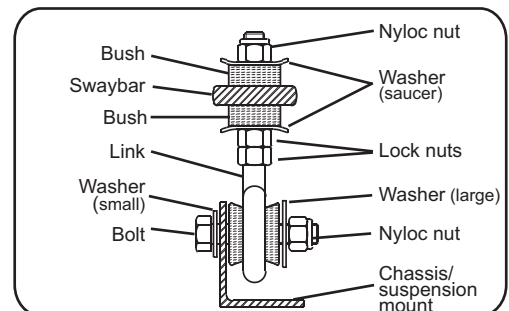


Fig.2. Whiteline pin/eye type link.

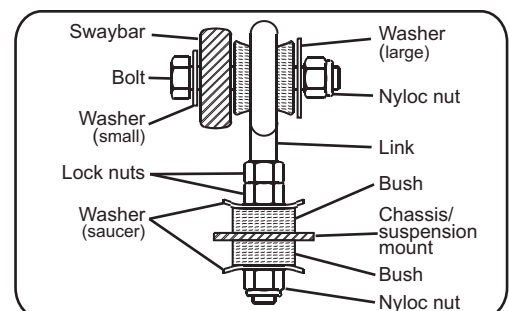


Fig.3 Whiteline eye/pin type link.

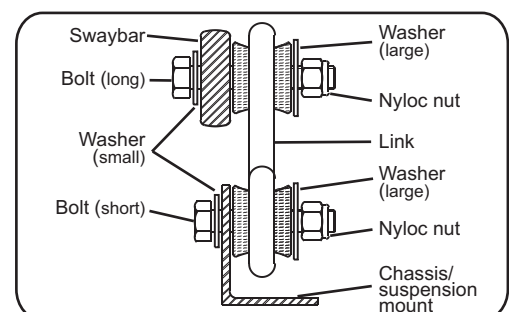


Fig.4 Whiteline double eye type link.

Warning: Please drive carefully while you accustom yourself to the changed vehicle behaviour.

General Fitting Guide - For WHITELINE swaybars.

Continued - Page 2 or 2

Universal swaybar fitting guide for replacement and full kit swaybars, to be used whenever specific fitting instructions are not supplied or as a supplementary fitting instruction sheet.



Stage 3. Post installation check and maintenance.

- Depending on the application and the removal of suspension components during installation in stages 1 and 2, wheel alignment settings may have been altered. Check wheel alignment settings, and adjust as required.
- Re-tension all fittings after a settling-in period, but not later than 100kms (60miles) after installation.
- For noise and friction free operation, carry out periodic inspections and maintain proper bushing lubrication.

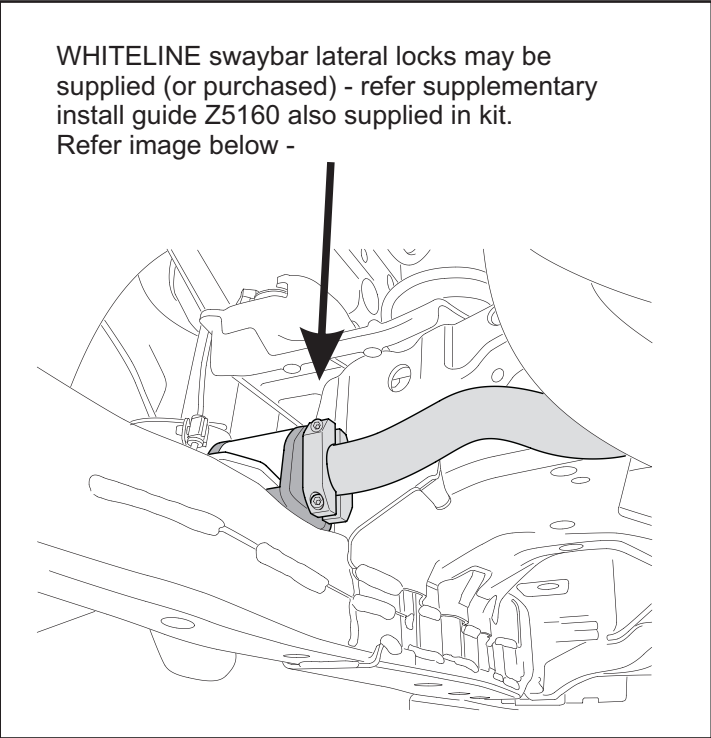
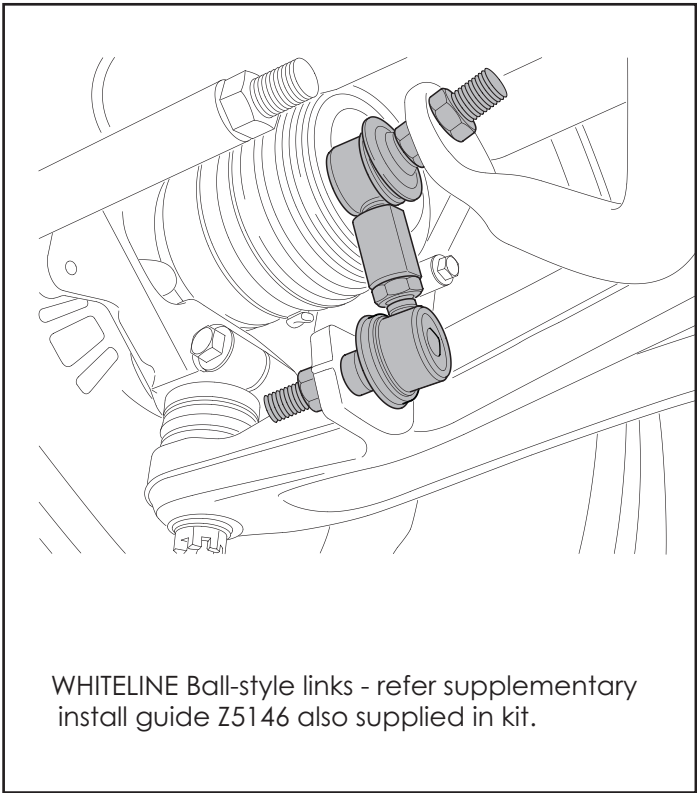


Fig.5 WHITELINE 3 hole Blade swaybar



WHITELINE Blade adjustable swaybar - rate adjustment guide

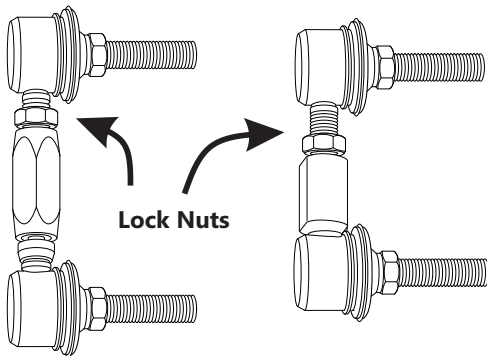
Warning: Please drive carefully while you accustom yourself to the changed vehicle behaviour.

Installation Guide

Performance Swaybar Links - Live Adjustable

(This installation guide should be used in conjunction with the workshop manual)

WHITELINE HEAVY DUTY swaybar links improve swaybar function and reaction time - due to forged steel, low-compliance ball joints along with live-adjustable turn buckles made from 6061 heat treated aluminium.



- Raise vehicle evenly and safely support.

Never rely on a Jack only

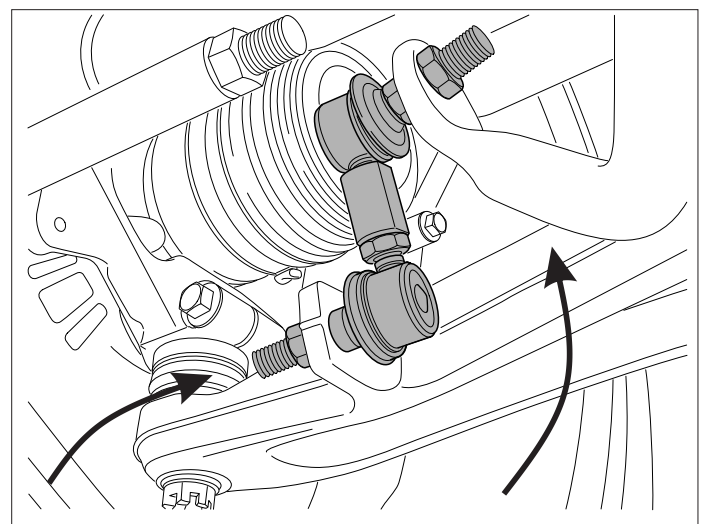
Note - Swaybar links are best accessed with wheels at full droop.

- Lubricate all threads before un-bolting old links

Take note of original link position and stud direction before removing. Or replace one link at a time.

- Remove old link and place next to new WHITELINE link.
- Loosely adjust WHITELINE link to similar length to old link length - do not tighten lock nuts yet.

Note - if vehicle is very low (or high) - a different length link may be entertained — *Refer Page 2*



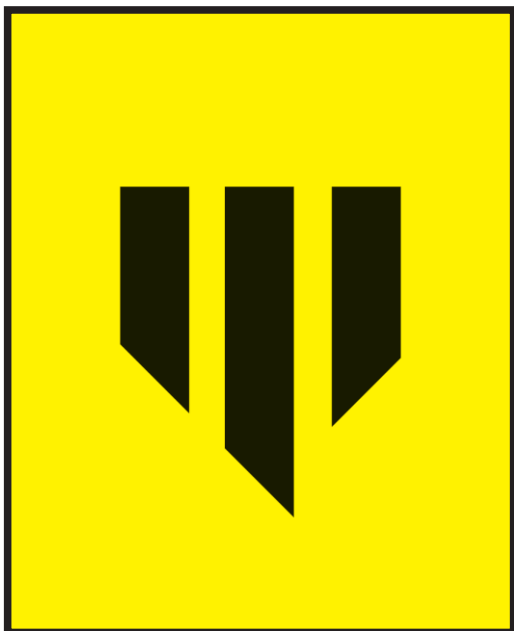
Subaru Example - note swaybar location and link stud direction

Installation Guide

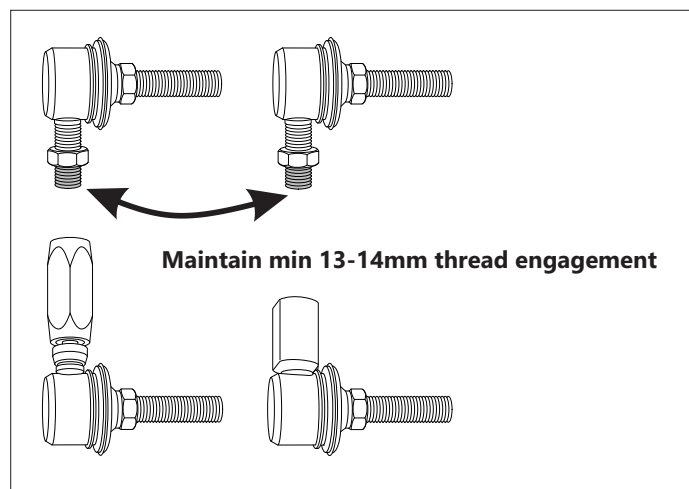
Performance Swaybar Links - Live Adjustable

(This installation guide should be used in conjunction with the workshop manual)

IMPORTANT - Big diameter/performance swaybars add significant stress to swaybar links. WHITELINE recommends a minimum thread engagement of 13-14mm - refer image below. WHITELINE supply 'hardened/thick washers' to maintain solid contact to swaybar blade, ensuring excellent operation.



Toyota Example below - swaybar performance is best with swaybar near 90 degrees to swaybar link



Subaru Example below - place hardened washers either side of swaybar blade

- Place 1x hardened washer over each stud before pushing through swaybar hole.
- Proceed to bolt up new links to vehicle.

IMPORTANT - confirm supplied hardened washers are placed either side of swaybar blade (and vehicle control arm)

- Tighten ball joints with supplied flange nuts, then proceed to fine tune turn buckles.

WIND centre turn buckles - lengthen or shorten link length until there is **zero** pre-load on swaybar. Now tighten lock nuts.

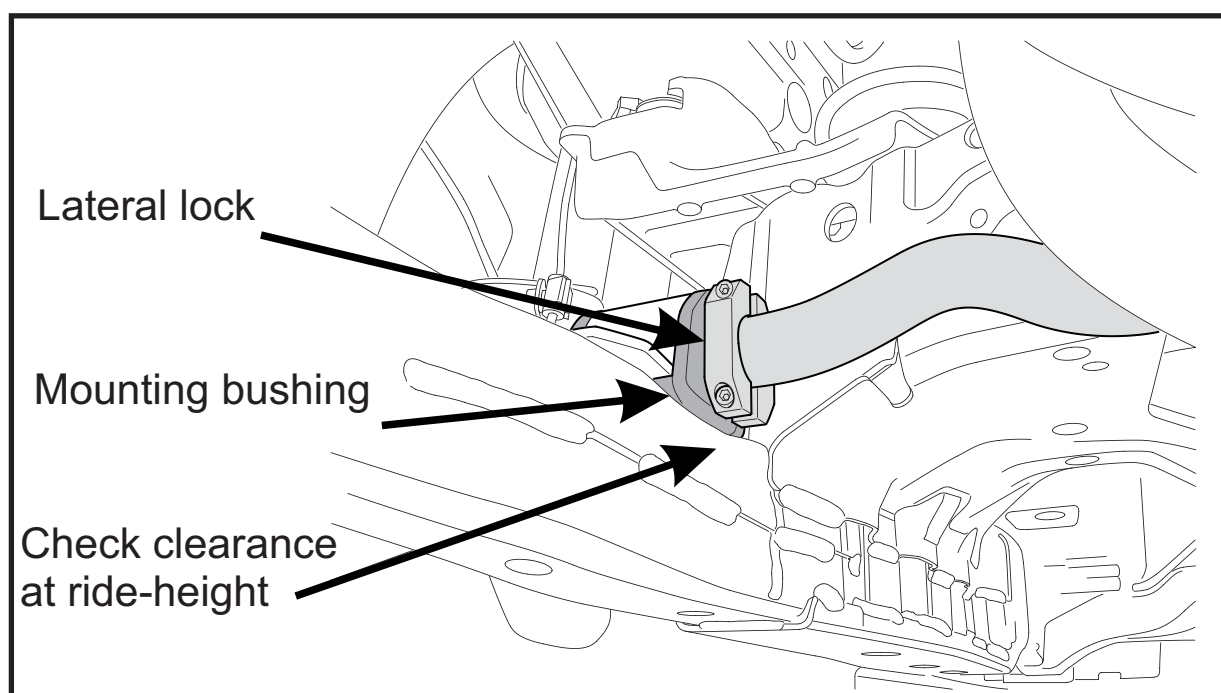
If possible, this is best done at ride height.
(wheels on ramps)

- All nuts to be re-torqued after 100-200kms



Alloy Lateral Lock Kit

Alloy Lateral Locks are designed to centralize your swaybar during operation



Confirm your Swaybar is central with links attached - this is best performed at ride-height.

Loosely bolt Lateral Locks next to the mounting bushing (leave approx 3-4mm gap). This can be either side of the mounting bushing but must maintain that both locks are fitted to identical positions LH and RH sides (both outside or both inside).

Check for clearance on full droop and full bump - the rotation of the lateral lock along the axis of the bar may foul other suspension components during rotation.

Tighten the Lateral Lock bolts down evenly and use mild force to secure. Careful to not over tighten.

Re-check Lateral Lock position after initial 100kms travelled.



Z 5277

Warning Guide Rear Adjustable Anti Roll Bar

Suits: Subaru BRZ, Scion FR-S, Toyota GT-86

Page 1

Warning!

Only applicable to lowered vehicles with NON standard suspension heights.

Figure 1



Z 5277

Warning Guide

Rear Adjustable Anti Roll Bar

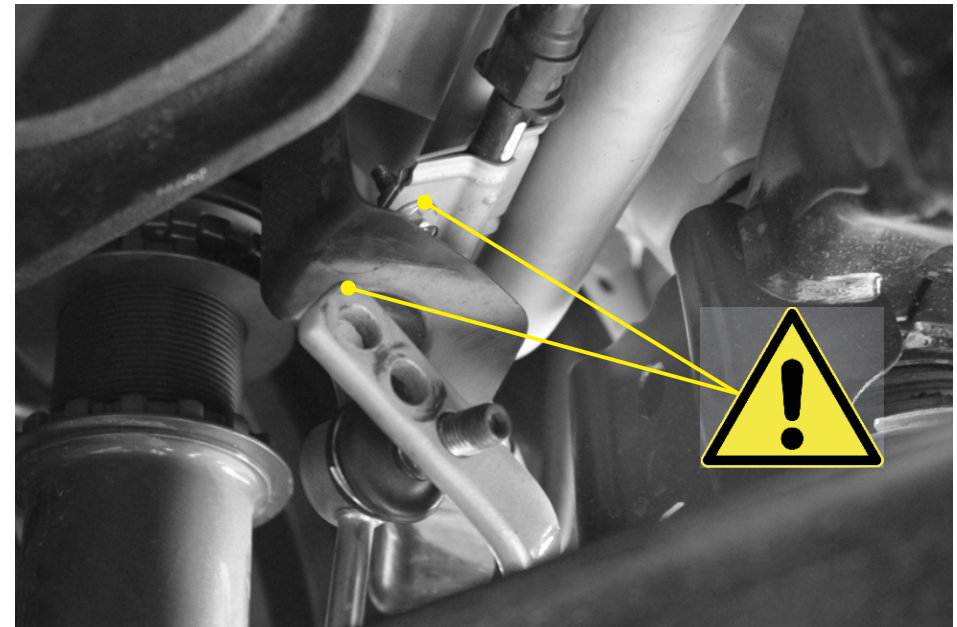
Suits: Subaru BRZ, Scion FR-S, Toyota GT-86

Page 2

Note! When lowering the vehicle or fitting the rear adjustable anti roll bar to a vehicle already lowered the maximum acceptable suspension fully compressed height is 300mm or 11.8 Inches measured from the centre of the wheel rim to the bottom of the guard (As shown in Figure 1)

This will allow a minimum safety clearance for the rear adjustable anti roll bar from the fuel line bracket in the unlikely event that there may be a anti roll bar mounting bushing failure or anti roll bar link failure.

Figure 2



GREASE FREE TECHNOLOGY

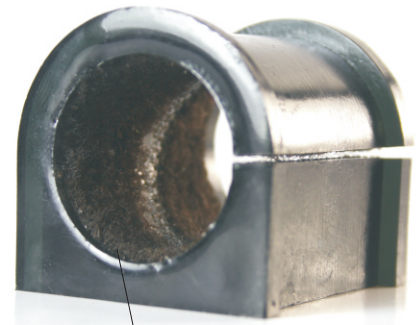


Introducing Grease Free Technology Bushings

Bushings supplied in this kit feature not only the latest synthetic elastomer bushing material technology but a high performing PTFE inner lining boasting an extraordinary low coefficient of friction. This inner lining eliminates the need to lubricate the bushing on installation and therefore makes these bushing 'grease free'!

Superior friction management

- reduces heat build up known to deform or degrade bushing over time
- dramatically reduces high frequency noises (squeaking)
- eliminates the need for maintenance/ greasing



PTFE LINING

Installation tip

Ensure a clean mating surface when installing these bushings for optimum performance!

Frequently Asked Questions

What happens if I do apply grease to the lining?

Don't stress, simply wipe away as much of the lubricant from the surface as possible and install. Adding grease does not further improve the bushings function/ performance nor does traces of lubricant impede the function/ performance.

Do I need to grease other areas of the bushing?

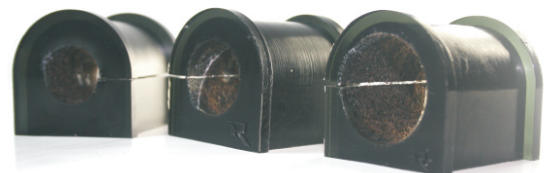
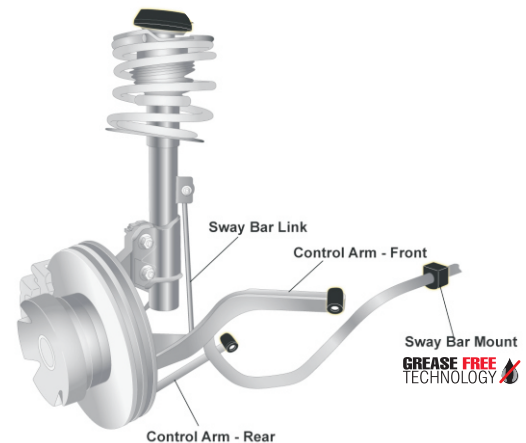
Simply, no! Unless the kit is supplied with a grease packet and lubrication instructions, no other area of the bushing requires lubrication.

Do these bushings require maintenance?

Significant improvements in grease retention within bushing design has dramatically improved over recent years, however this new grease free technology does away with all lubricants and subsequent or periodical maintenance.

Is this technology available across the entire range?

For the most up to date offering of grease free technology bushings visit the website!



FRICION FREE | SILENT OPERATION | MAINTENANCE FREE



Instruction Sheet

REAR SWAYBAR LINKS - ADJUSTABLE

Application

SUBARU: Impreza 9/07-on
Forester 9/08-on
Liberty 9/09-on
BRZ 2012-on

Kit Contents

- 4x small washers.
- 4x gold spacers
- 2x complete Adj. links

TOYOTA: Scion FR-S 2012-on
GT-86 2012-on

1. Raise the vehicle evenly and safely support.
2. Un-bolt the original links.
3. If your vehicle is fitted with an adjustable swaybar, confirm which hole you will be mounting to, prior to install - please see images on the right.
4. Arrange the spacers in the control arm respective to your preferred swaybar setting.
5. Note: the 4 washers supplied - 1 washer is to be placed either side of the swaybar blade.
6. Tighten mounting bolts (recommended torque spec - 38N-m (28ft-lb)).
7. Fine tune the centre turn buckle to remove any unwanted pre-load. Tighten the upper and lower lock nuts.
8. Re-check all hardware after initial 100-200kms.

- Place spacers either side of link for OE swaybar or 'middle setting' on adjustable swaybar.



- Place spacers towards front side of control arm for hard setting on adjustable swaybar.



- Place spacers towards rear of control arm for soft setting.



N.B: It is recommended that a licenced workshop or tradesperson carry out the above procedure and that workshop manual and relevant safety procedures are followed in addition to the above.