

Instructions

Rear Control Arm Bushings

N.B: This instruction sheet should be used in conjunction with the workshop manual and proper safety procedures followed.

Page 1 of 2

Application - Mazda MX5
 - 1990-1997
 (*Refer current catalogue listing*)

Contents - 8x bushing 90680
 - 4x bushing 90681
 - 8x bushing 90682
 - 4x bushing 90683
 - 4x bushing 90684
 - 4x steel tubes 19x13.2x70
 - 4x steel tubes 22.2x14.3x56
 - 6x steel tubes 22.2x10.2x56
 - 2x steel washers 50x12.9x3
 - 2x steel washers 50x16x5
 - Grease

- Raise vehicle evenly and safely support.

Never rely on a Jack only

- It is recommended only one control arm be serviced at a time.
- OE bushings can be removed with a 'Puller' as per below (using a Press may damage the arm).
- Clean Eye-rings well prior to pushing in supplied bushings. Refer page 2 for bushing positions.
- Grease bushing ID and face with supplied grease only.
- A wheel alignment is required post install.



N.B: It is recommended that a licenced workshop or Tradesperson carry out the above procedure and that workshop manual and relevant safety procedures are followed in addition to the above.

Instructions

Rear Control Arm Bushings

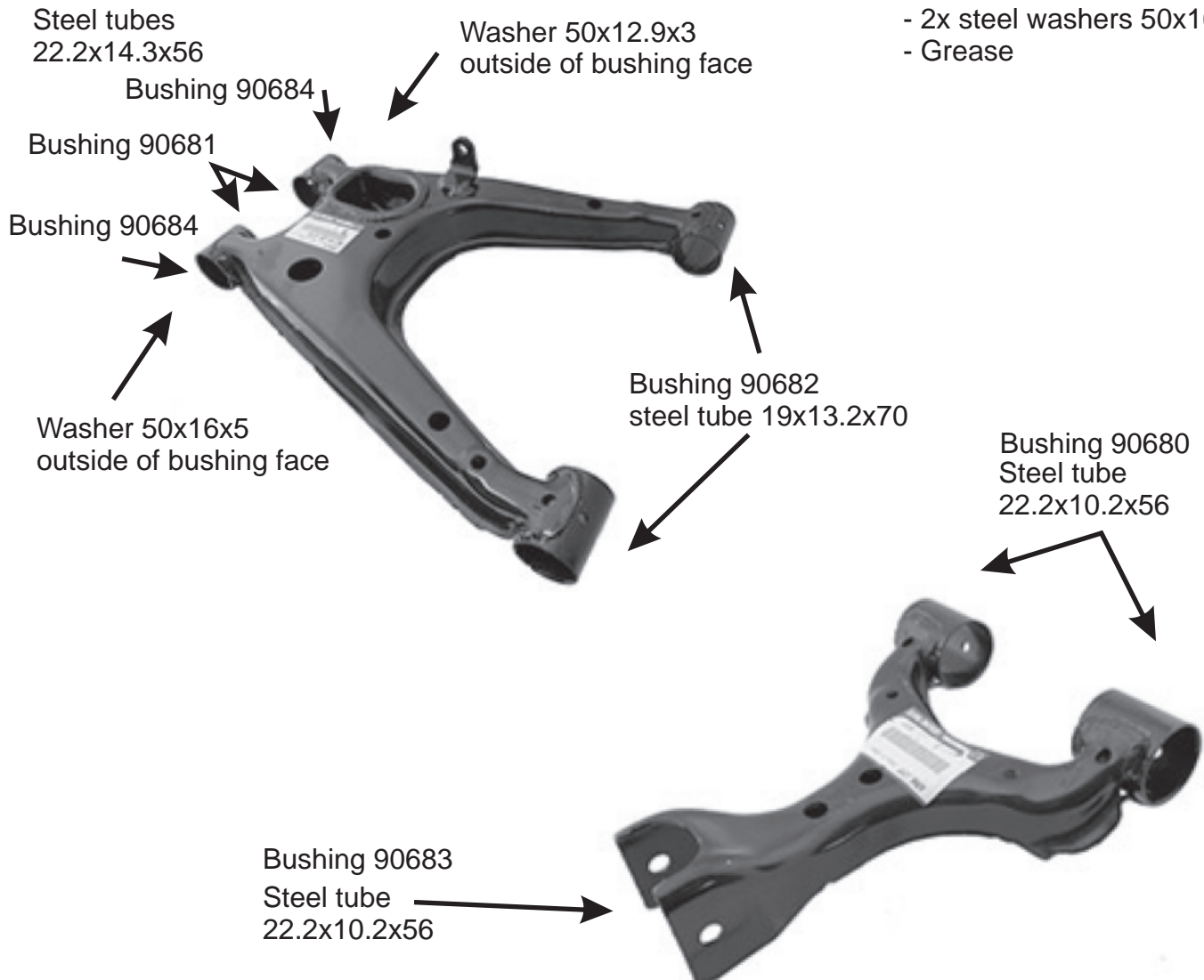
N.B: This instruction sheet should be used in conjunction with the workshop manual and proper safety procedures followed.

Page 2 of 2

Application - Mazda MX5
- 1990-1997
(Refer current catalogue listing)

Contents

- 8x bushing 90680
- 4x bushing 90681
- 8x bushing 90682
- 4x bushing 90683
- 4x bushing 90684
- 4x steel tubes 19x13.2x70
- 4x steel tubes 22.2x14.3x56
- 6x steel tubes 22.2x10.2x56
- 2x steel washers 50x12.9x3
- 2x steel washers 50x16x5
- Grease



N.B: It is recommended that a licenced workshop or Tradesperson carry out the above procedure and that workshop manual and relevant safety procedures are followed in addition to the above.