

Rear Diff - Outrigger Bushings

N.B: This instruction sheet should be used in conjunction with the workshop manual and proper safety procedures followed.

- Raise vehicle evenly and safely support with stands.

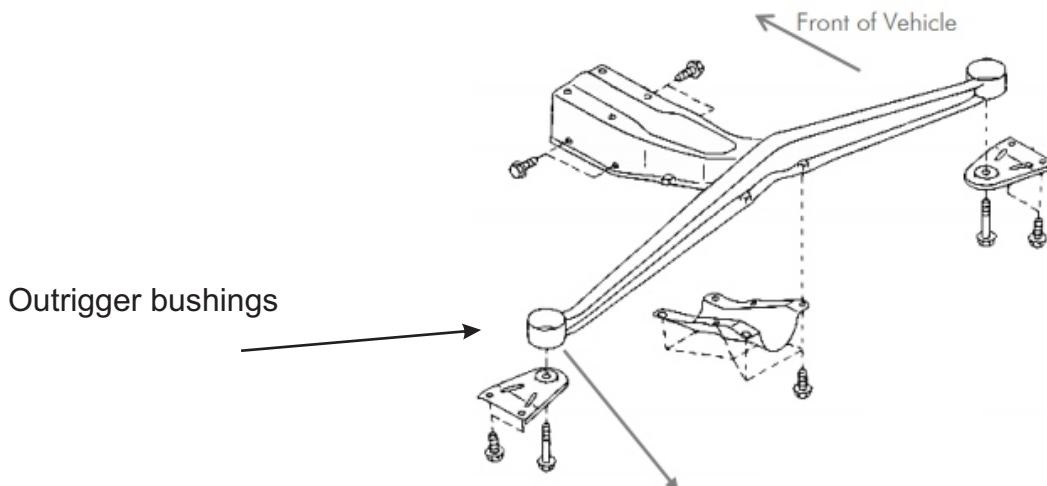
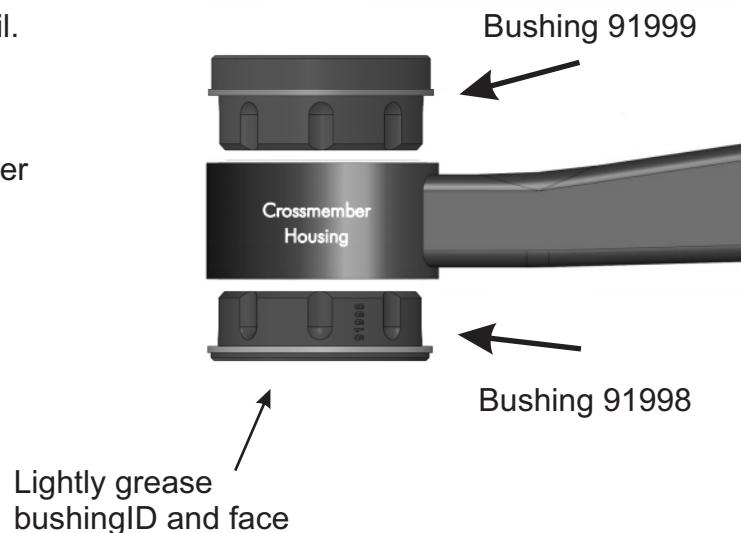
Never rely on a Jack only.

- Support the Differential prior to removing the front cradle.
- Once removed, the old bushings will need to be pressed out or cut-out.
- Clean cradle eyes from any burrs or oil. Push in new supplied bushings - refer RH image.
- Lightly grease bushing internal diameter and face with supplied grease only.
- Push in supplied steel tube.
- Re-fit cradle to vehicle. Tighten bolts to manufacturers spec.
- Road test - then re-check after 100kms travelled.

Application - Subaru Impreza inc WRX
- Subaru Forester
- Subaru Liberty

Always refer complete catalogue listing

Contents - Bushing 91998 x2
- Bushing 91999 x2
- Steel tube 19x14x57mm
- Grease



N.B: It is recommended that a licenced workshop or tradesperson carry out the above procedure and that workshop manual and relevant safety procedures are followed in addition to the above.