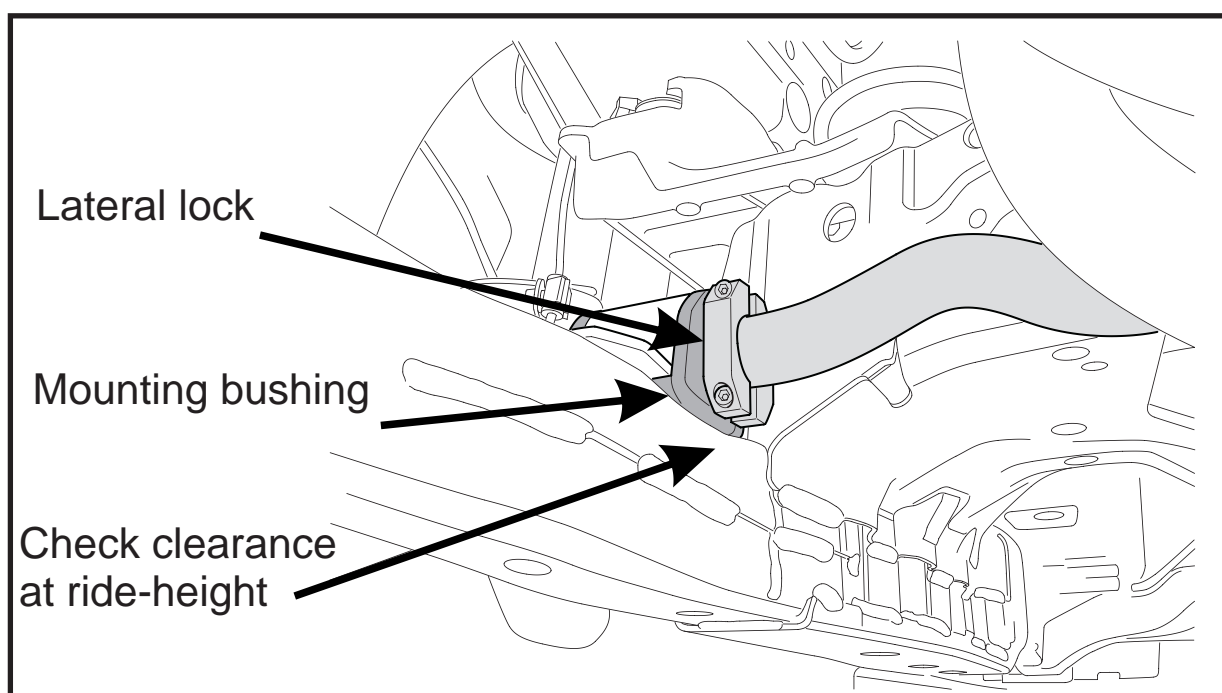


Alloy Lateral Lock Kit

Alloy Lateral Locks are designed to centralize your swaybar during operation



Confirm your Swaybar is central with links attached - this is best performed at ride-height.

Loosely bolt Lateral Locks next to the mounting bushing (leave approx 3-4mm gap). This can be either side of the mounting bushing but must maintain that both locks are fitted to identical positions LH and RH sides (both outside or both inside).

Check for clearance on full droop and full bump - the rotation of the lateral lock along the axis of the bar may foul other suspension components during rotation.

Tighten the Lateral Lock bolts down evenly and use mild force to secure. Careful to not over tighten.

Re-check Lateral Lock position after initial 100kms travelled.

INSTALLATION GUIDE

Heavy Duty Front Swaybar

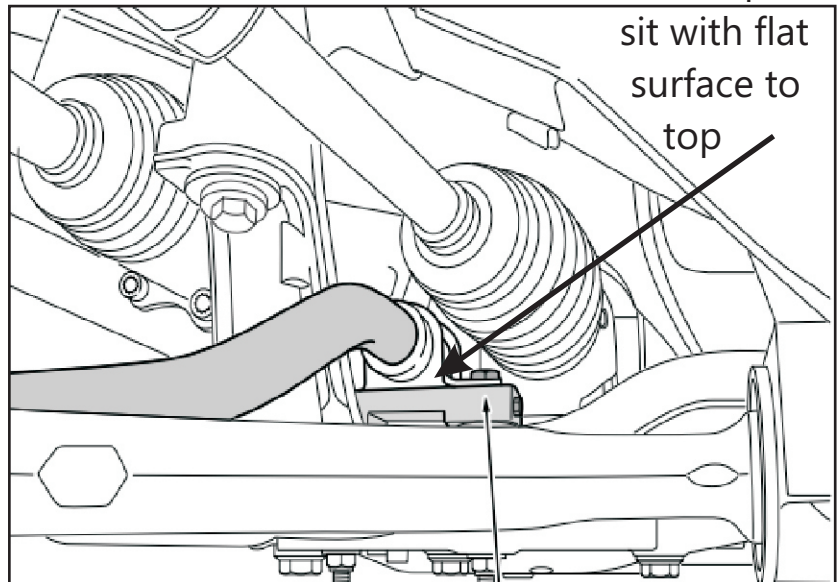
Application: - VW Golf Mk7
- AUDI Mk3

Contents: 2x mounting bushings
2x aluminium plates
2x steel brackets
4x M8 flange mounting bolts
4x flange nyloc nuts
1x 24mm adj. swaybar

Instructions

1. Raise vehicle evenly and safely support.
2. Disconnect the swaybar links.
3. Un-bolt the steering rack and swaybar mounting brackets from the sub-frame.
4. Support the sub-frame and start to un-bolt - lower the frame down enough to access and remove the swaybar.
5. Use supplied aluminium plate and steel saddle to mount the swaybar.

IMPORTANT - aluminium plate



NOTE: Place aluminium plate as per top image. Place supplied bolts in position with bolt head up top

6. Confirm swaybar is central and fit up the supplied lateral locks.
7. Bolt up sub-frame and swaybar links and carry out a wheel alignment.
8. Re-check all bolts after 100kms travelled.



Warning: Please drive carefully while you accustom yourself to the changed vehicle behaviour.