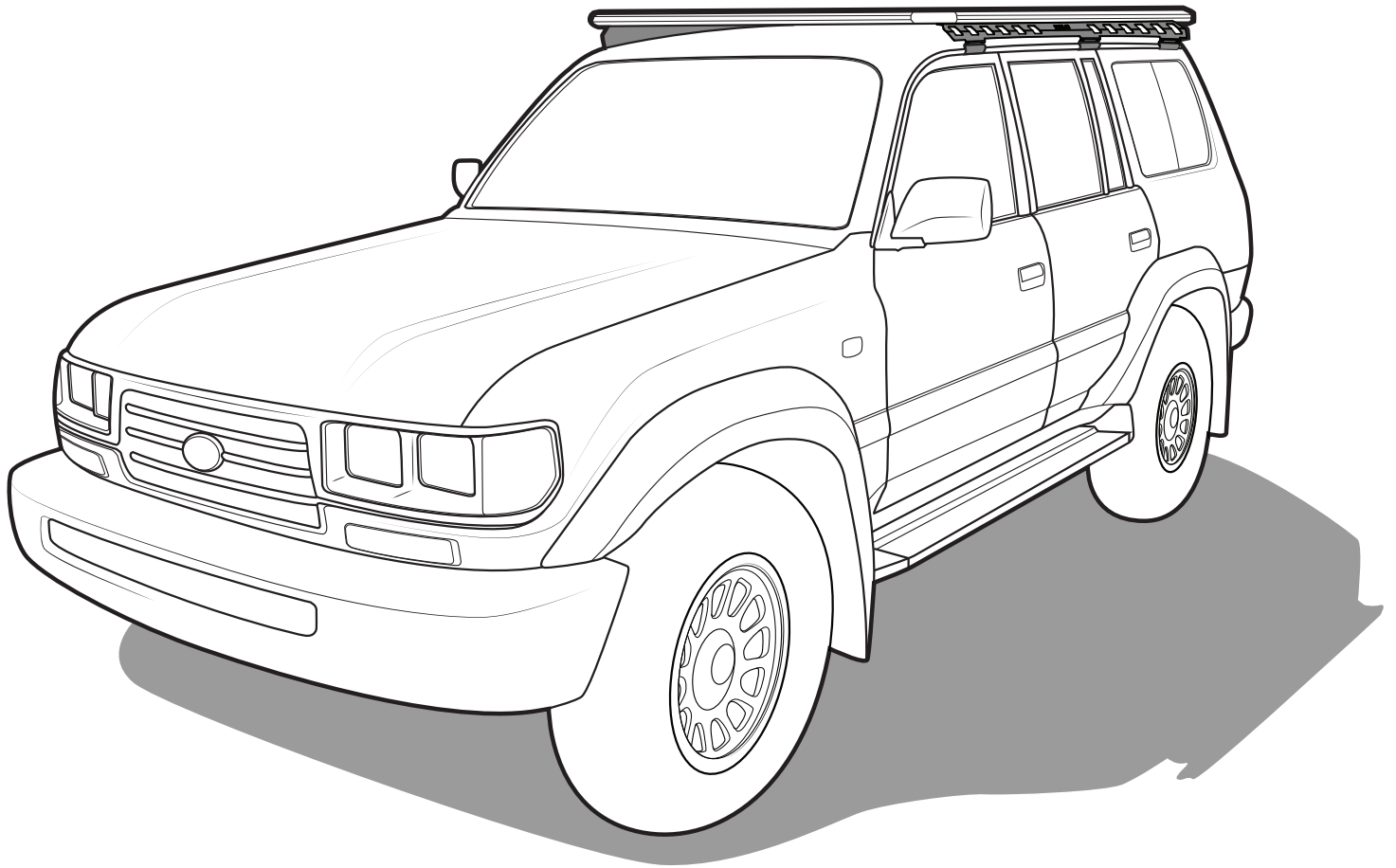

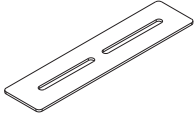




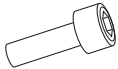

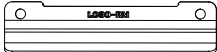
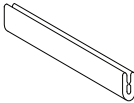
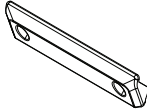
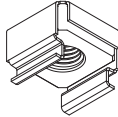


# KAYMAR



Read this full instruction prior to commencing assembly and fitment of Ridge Mount system.

CONTENT - CHECK ALL PARTS ARE CORRECT BEFORE PROCEEDING

A		Ridge Mount (Pair)	1
B		Stud Plate	6
C		M6x30mm Btn Screw	12
D		TT-27 Star Drive Allen Key	1
E		M6x17mm Flat Washer	12
F		M8 Nyloc Nut	12
G		M8x30mm Cap Screw	12
H		M8x17mm Flat Washer	24
I		Gutter Bracket	6
J		Pinch Weld	8
K		Gutter Clamp	6
L		Cage Nuts	18

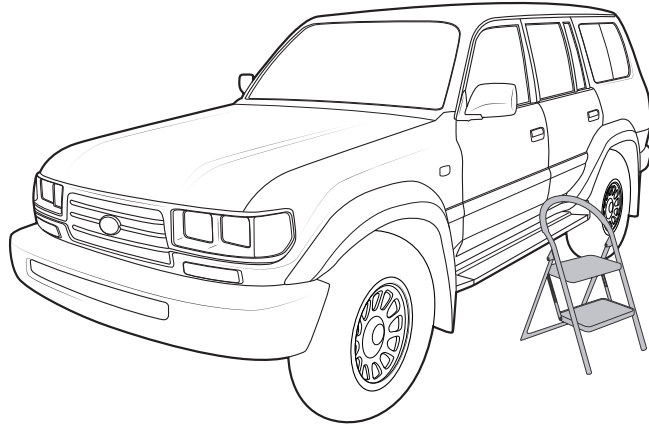
TOOLS REQUIRED

- 13 + 10mm socket wrench.  
- 6mm allen tool.

- 13mm socket wrench.  
- Step ladder.

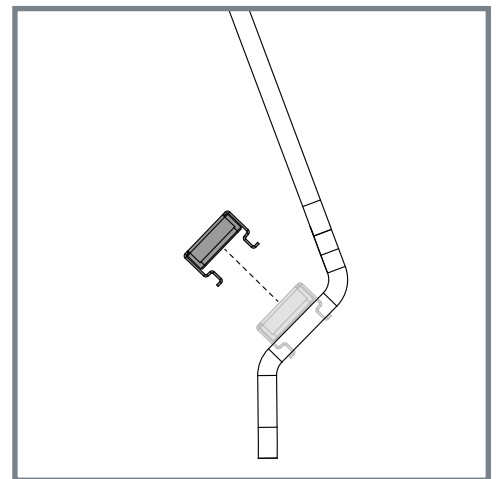
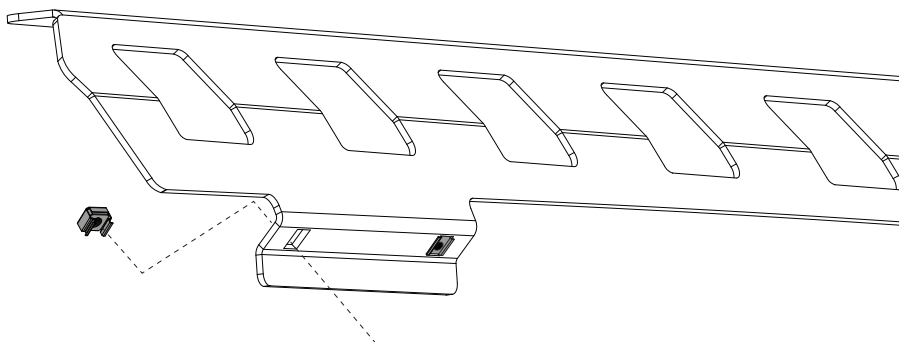
1

Move to the side of the vehicle. Use a step ladder to get access to the vehicle roof.



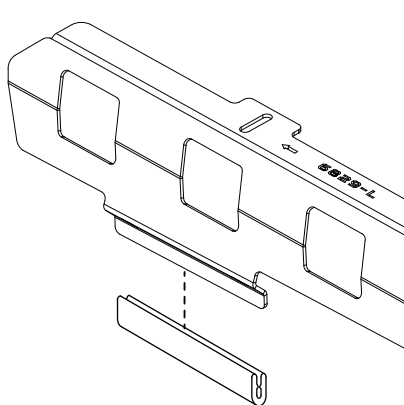
2

Insert the M6 cage nuts as show.  
Note: The orientation is very important. Nuts must be installed from the rear of the Ridge Mount.

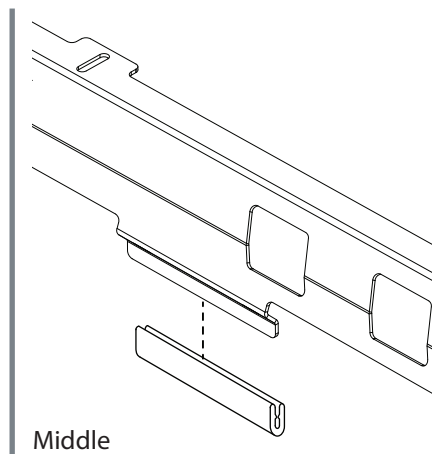


3

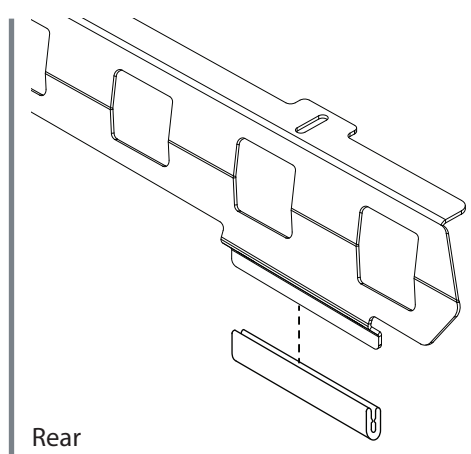
Fit the pinch welds to the feet of the Ridge Mounts.



Front

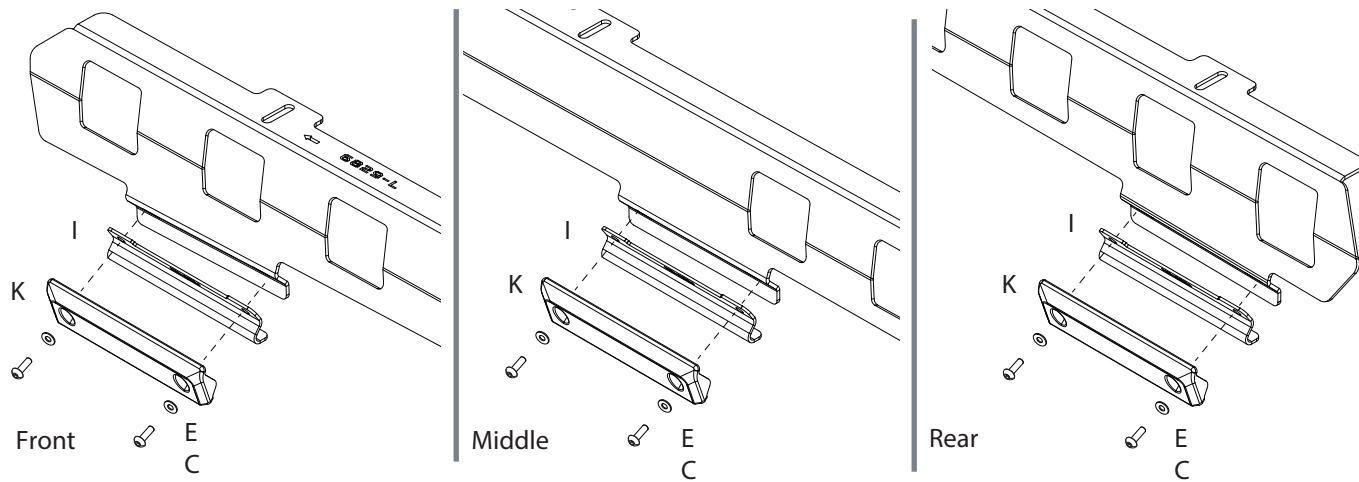


Middle

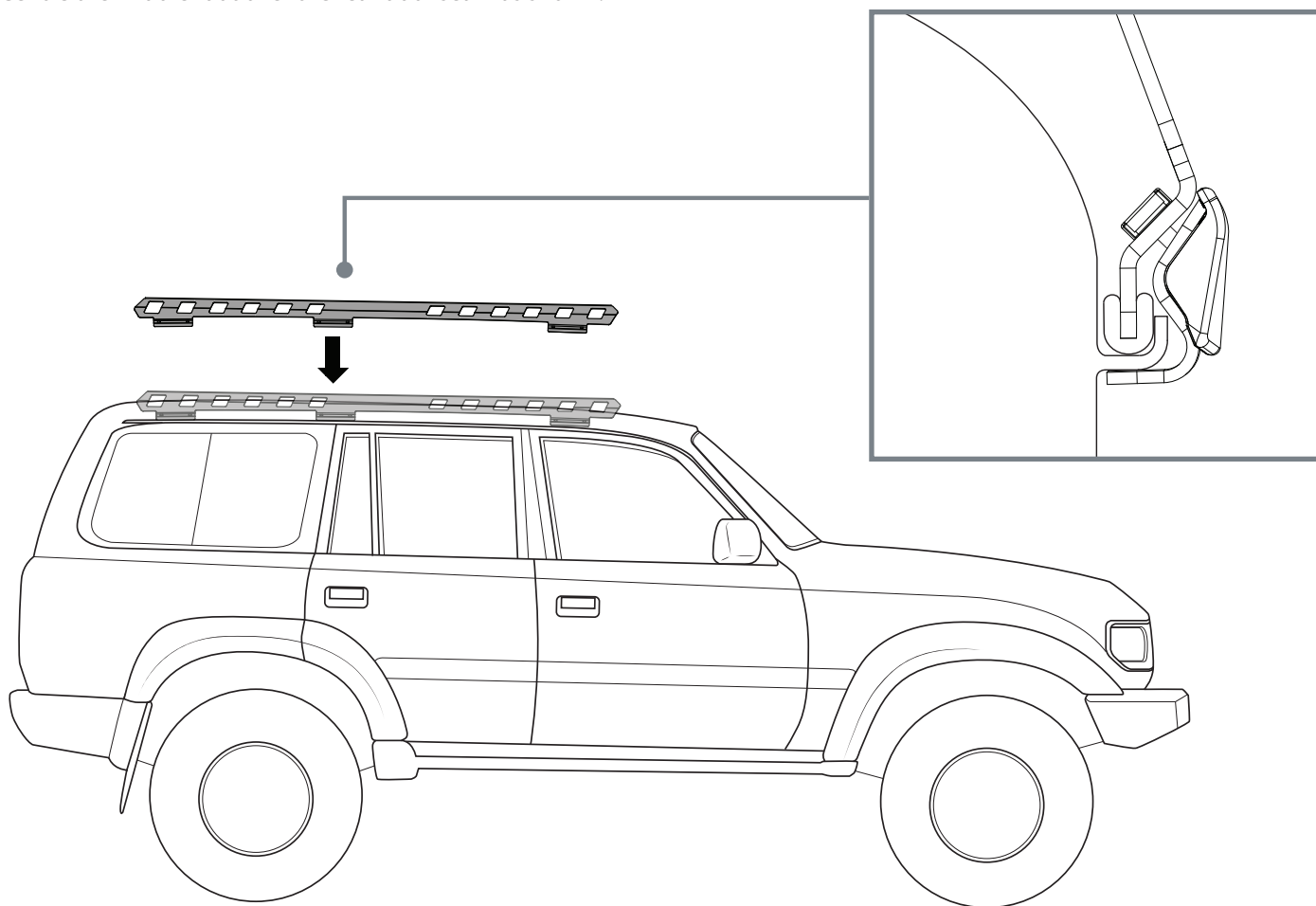


Rear

Loosely fit the gutter brackets to each Ridge Mount.



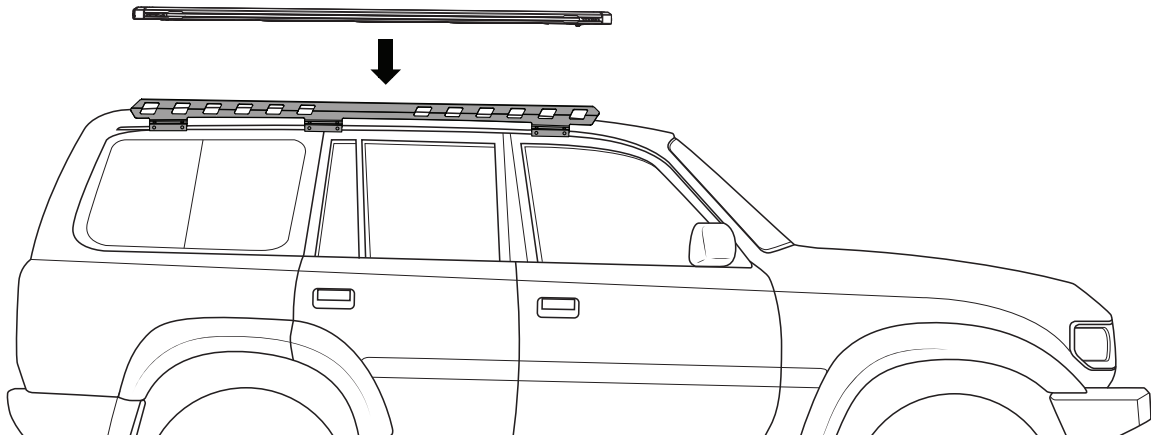
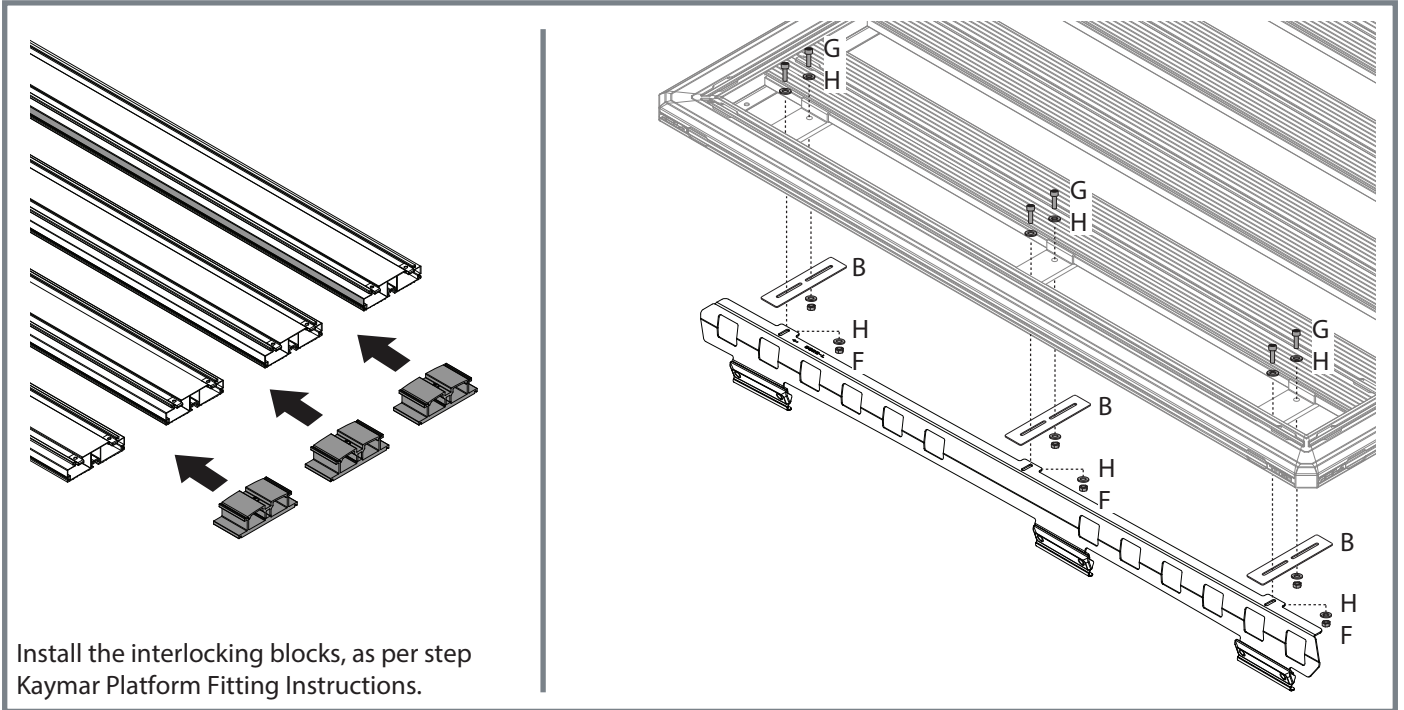
Fit the Ridge Mounts to the roof of the vehicle, clamping the assembly to the gutters. Centre the middle foot over the rear door seam as shown.



PLATFORM FITMENT

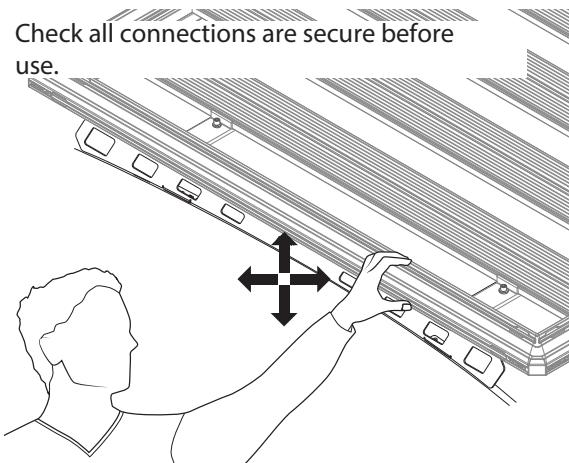
6

Install the Kaymar Platform as per corresponding instructions.

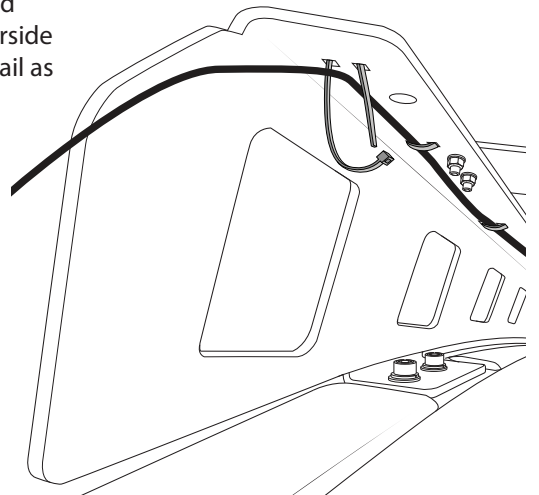


Note:

Check all connections are secure before use.



Wiring can be run and secured on the underside of the Ridge Mount rail as shown.



**IMPORTANT - READ BEFORE USE**

Please ensure the system is fitted in accordance with the fitting instructions.  
It is important that you observe all outlined below.

**LOAD RECOMMENDATIONS**

- Routinely and regularly check the proper functioning of the system. Check all fixtures at regular intervals.
- Do not use an automatic carwash with system installed.
- Maximum load capacity of the system is 661lbs/300kg under static conditions.
- Maximum load capacity of the system is 220lbs/100kg under dynamic including off-road conditions.
- Do not exceed vehicle manufacturers recommended load rating if it is lower than the maximum load capacity specified in this document (i.e., 220lbs/100kg).
- Ensure any load carried is evenly distributed.
- Actual load on vehicle Roof (Refer to owner's manual) = Weight of Roof rack system / Ridge Mount + Weight of Platform + Weight of cargo.
- Actual load on rack system (Refer to product instructions) = Platform weight + cargo.

**WARRANTY INFORMATION**

For full Warranty details refer to Kaymar website.

Kaymar.com.au

**NOTE**

All content subject to APG copyright.