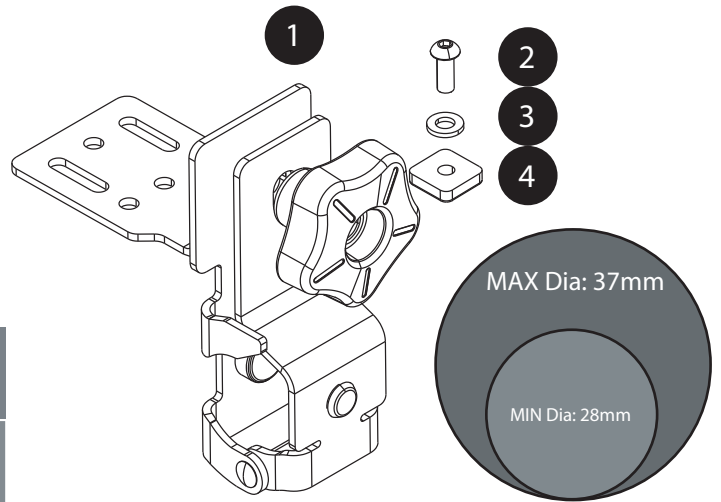


K-MSH-01 METAL SHOVEL HOLDER

PN	DESCRIPTION	QTY
1	METAL SHOVEL HOLDERS	2
2	M6 x 16mm BTN HEAD SCREW	4
3	M6 FLAT WASHERS	4
4	M6 T-NUT	4



Tools Required:
Tape measure

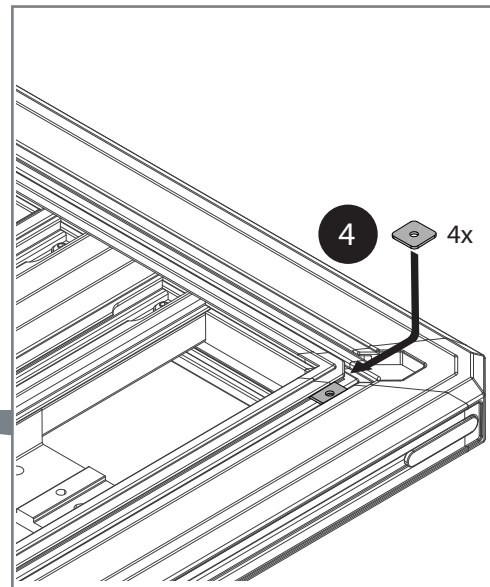
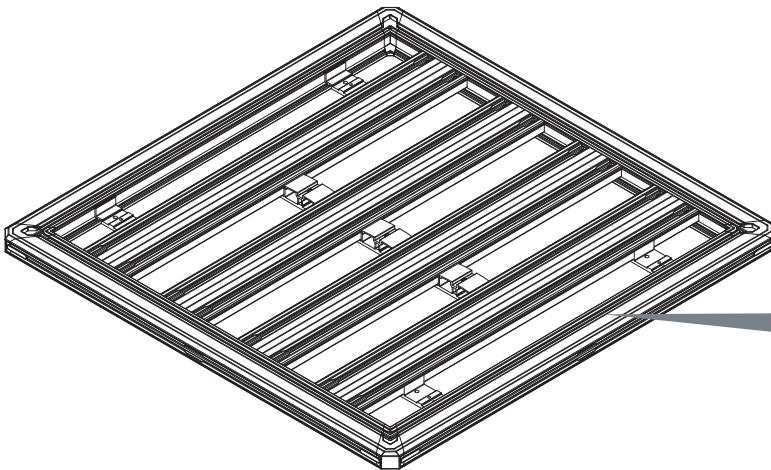
Tools Included:
5mm Allen tool

5
5 YEAR
WARRANTY

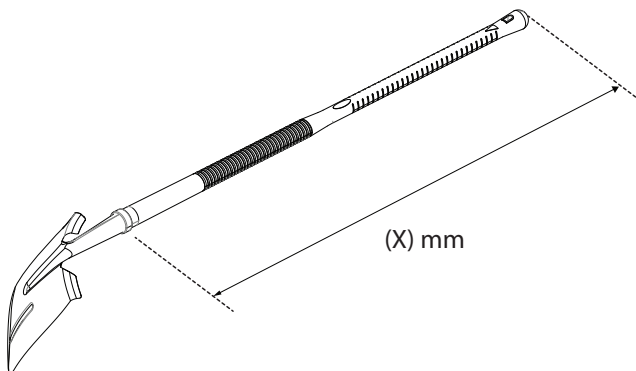
For full warranty details refer to the website
www.kaymar.com



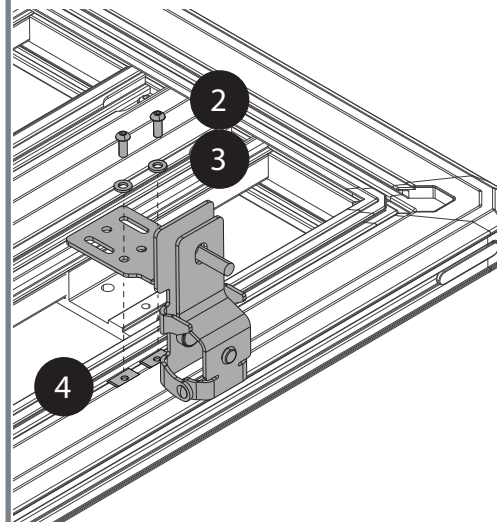
1 Insert T-nuts into the channel on the perimeter of the Platform.



2 Measure size of tool to be carried.



3 Using the M6 hardware provided, loosely fix the holders to the platform.



K-MSH-01 METAL SHOVEL HOLDER

