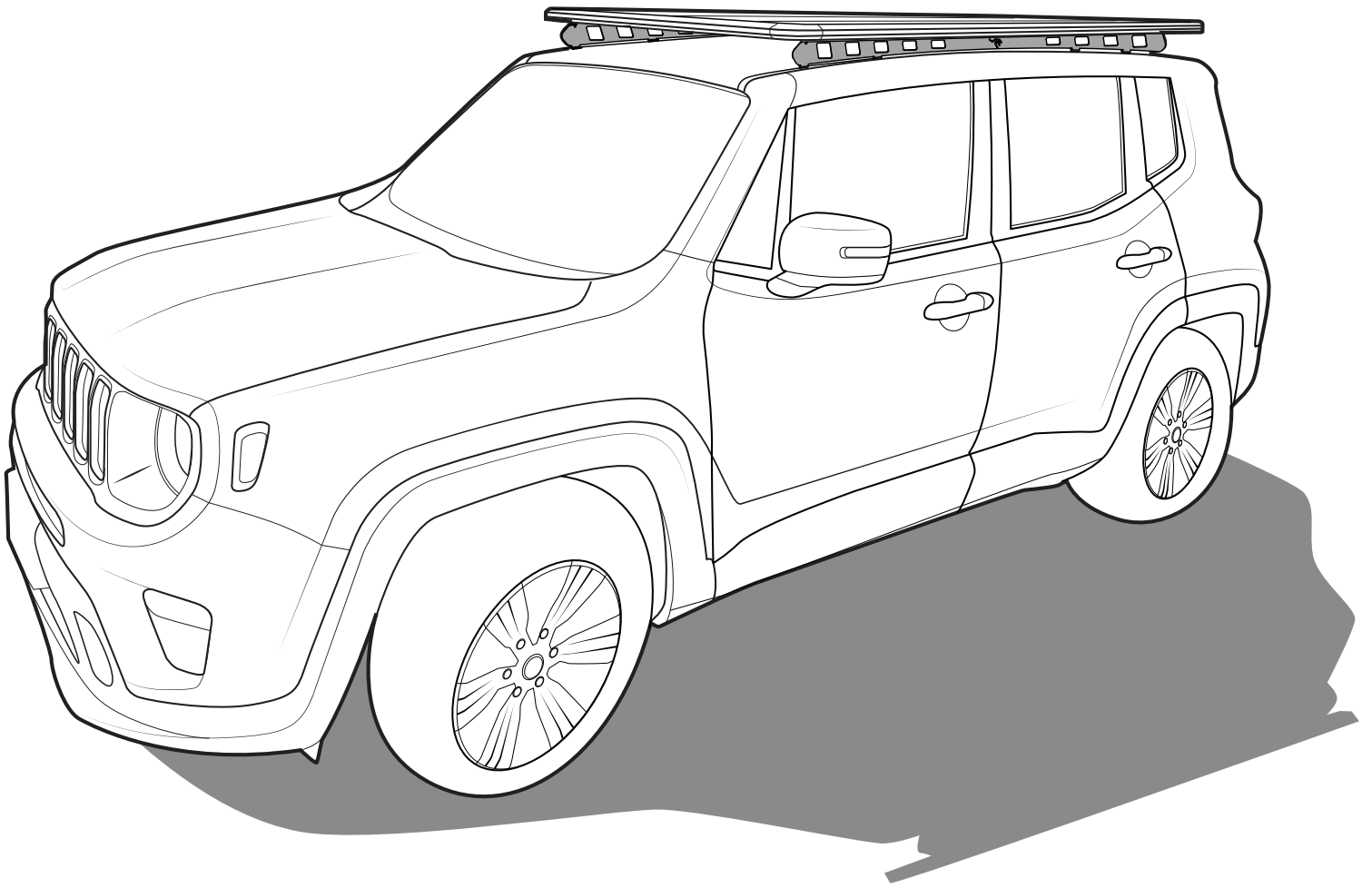


# KAYMAR

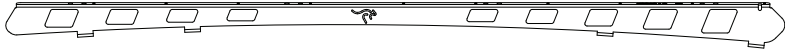
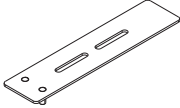


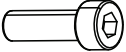


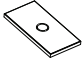


JEEP RENEGADE BU 4DR 2015 - on  
OPEN RAIL

RIDGE MOUNT SYSTEM  
RMK36846 - Issue 01

Read this full instruction prior to commencing assembly and fitment of Ridge Mount system.

**CONTENT - CHECK ALL PARTS ARE CORRECT BEFORE PROCEEDING**

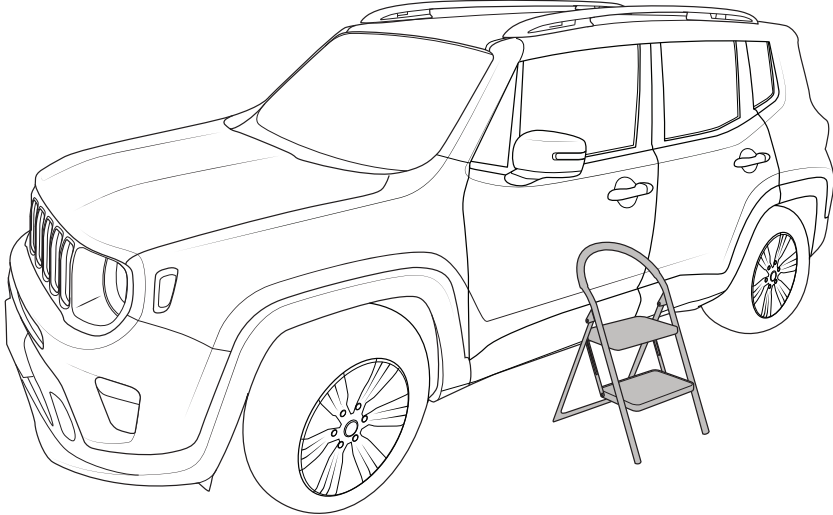
A		Ridge Mount (Pair)	1
B		Stud Plate	6
C		M6 Cap Screw	8
D		M6 Flat Washer	8
E		M8 Cap Screw	12
F		M8 Flat Washer	36
G		M8 Nyloc Nut	24
H		Butyl Patch	16

**TOOLS REQUIRED**

- 5mm and 6mm allen tool.
- 13mm socket wrench.
- Step ladder.
- Trim tools.
- Small flat blade screwdriver.

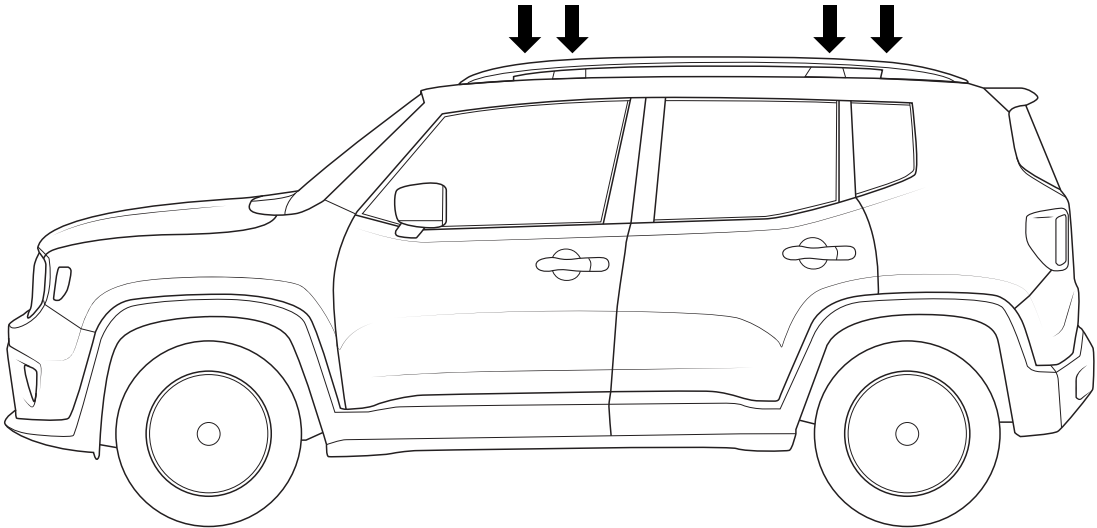
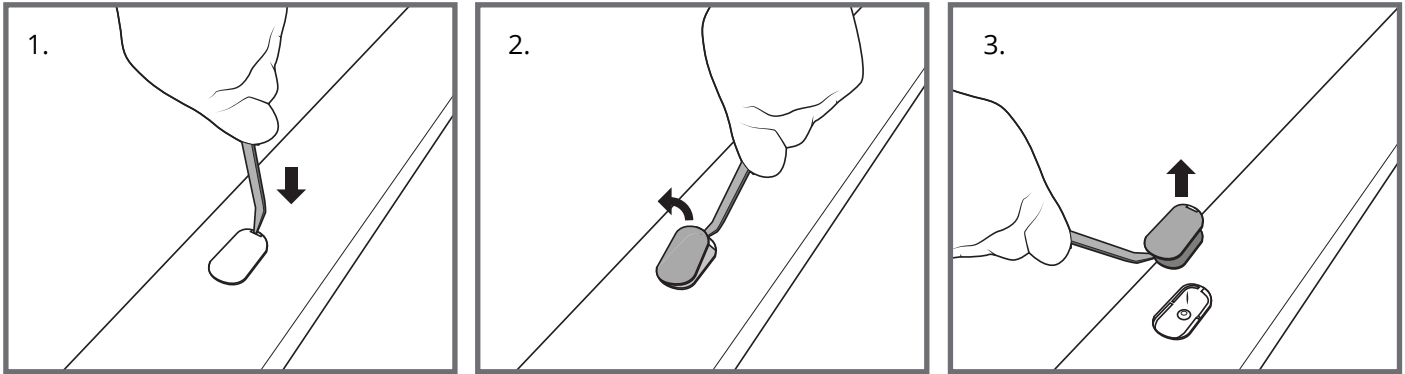
1

Move to the side of the vehicle. Use a step ladder to get access to the vehicle roof.



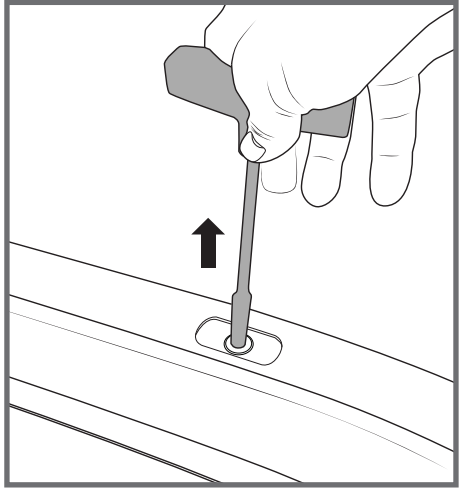
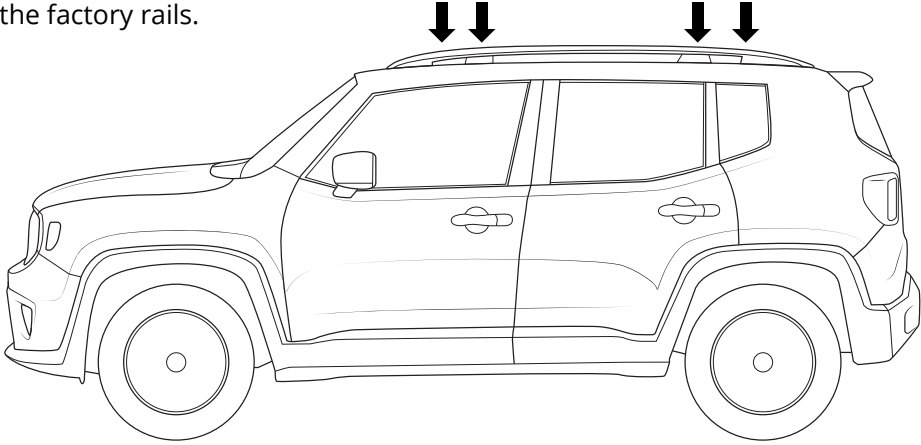
2

Locate the four factory hardware covers, on each rail. Using trim tools or a small screw driver, remove each cover as shown.



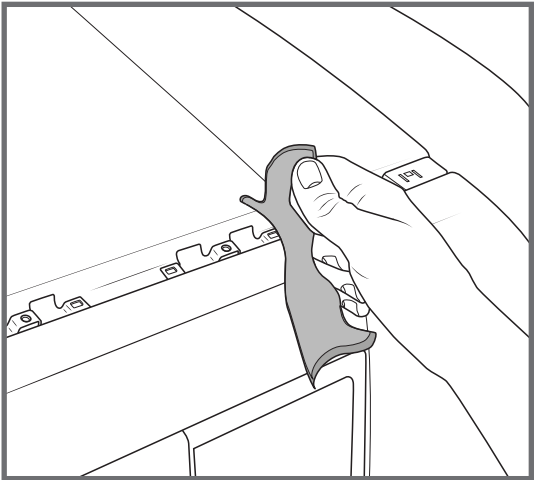
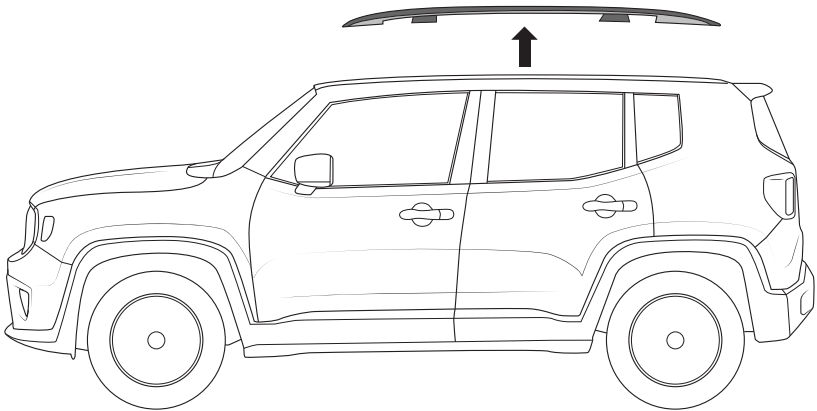
3

With a 5mm allen tool, unscrew the newly exposed hardware in the factory rails.



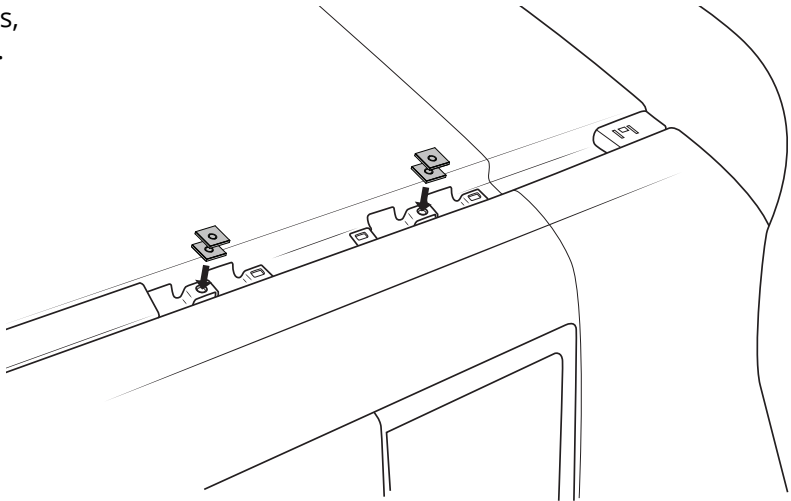
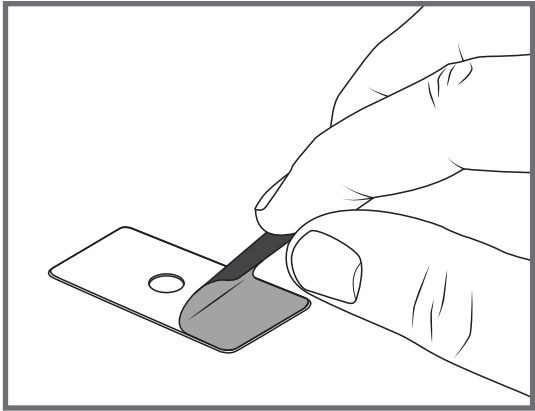
4

Remove the factory rails, cleaning the roof once removed.



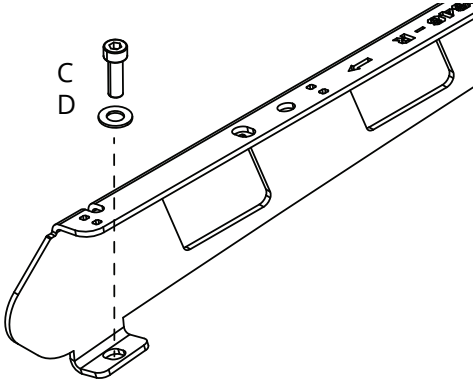
5

Remove the backing tape off the butyl patches, applying two to each cleaned mounting point.



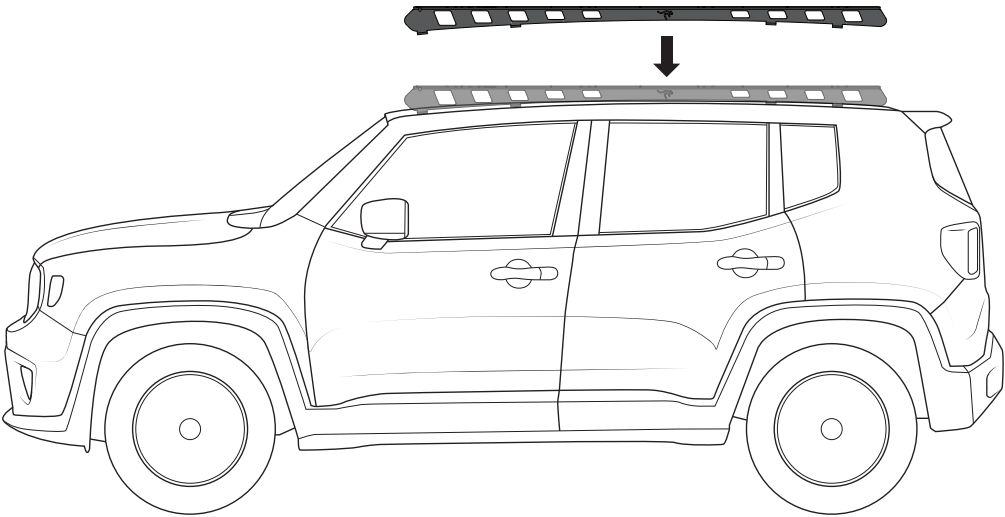
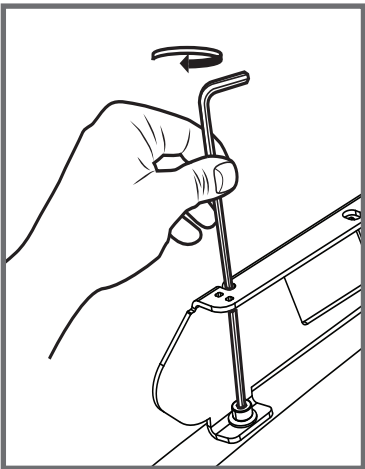
6

Install the M6 hardware provided into the Ridge Mounts as shown.



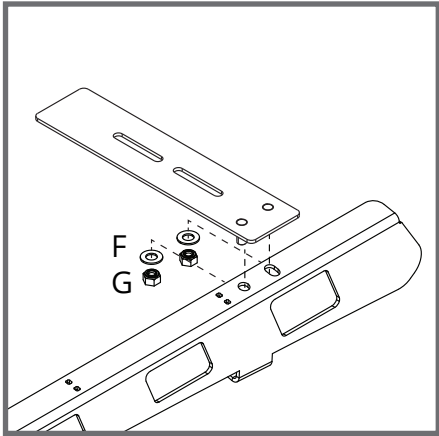
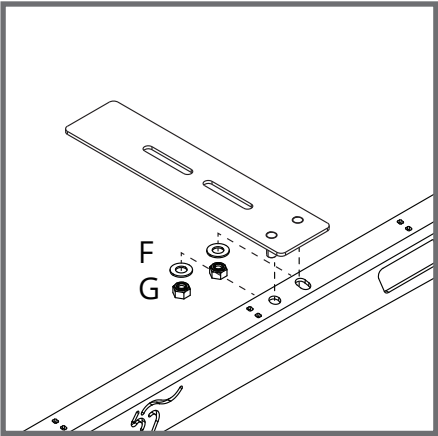
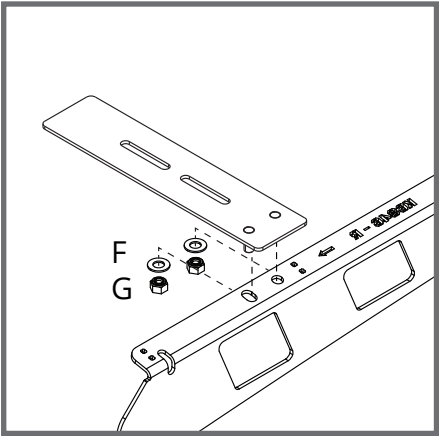
7

Install the Ridge Mounts to the roof, tightening in place with a 5mm allen tool.



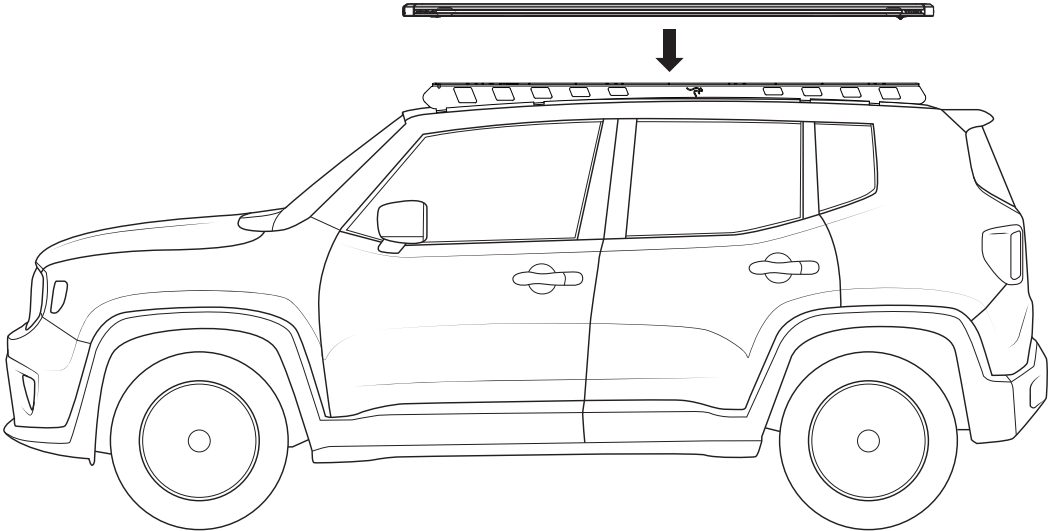
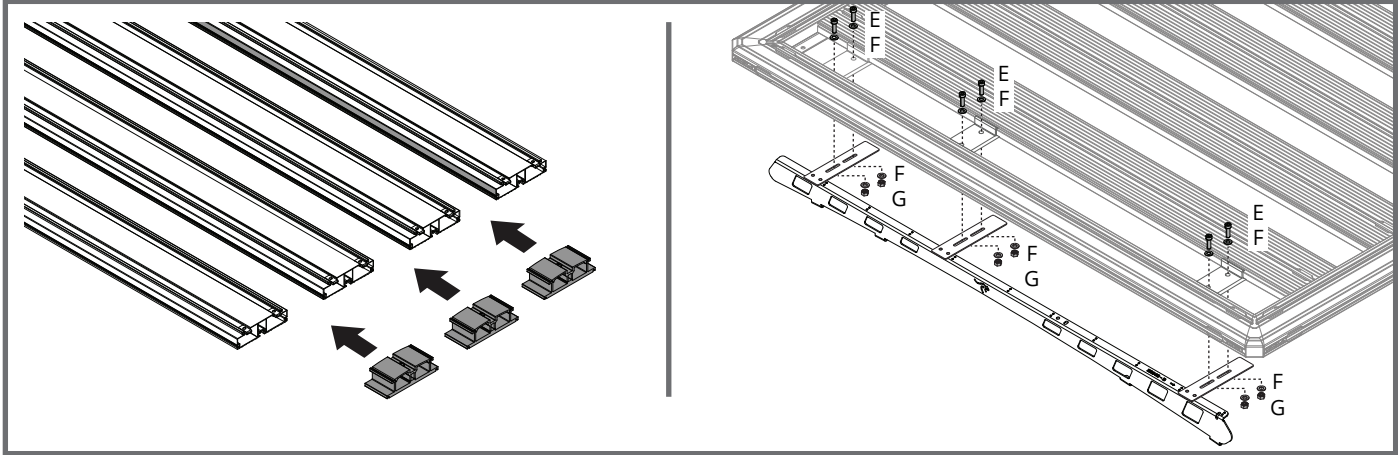
8

Install the stud plates to the Ridge Mounts.

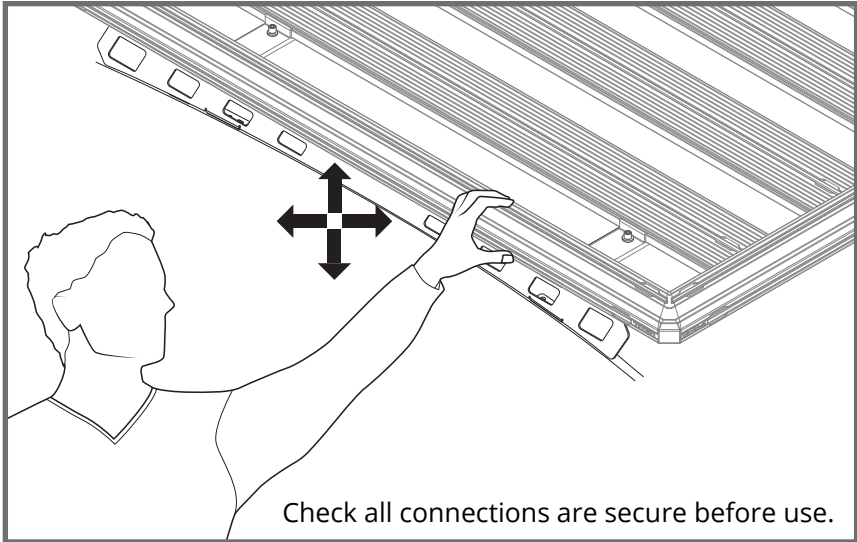


PLATFORM FITMENT 11

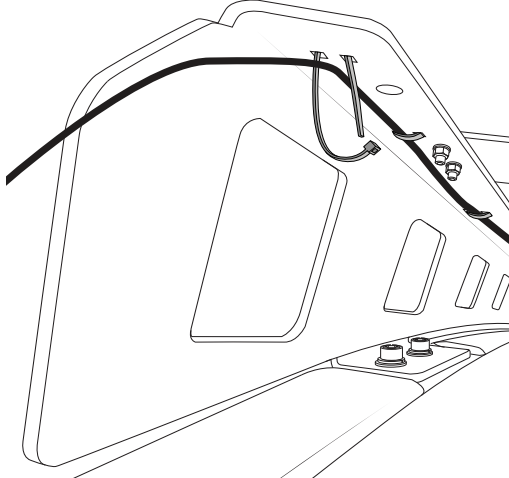
Install the Kaymar Platform as per corresponding instructions.



Note:



Wiring can be run and secured on the underside of the Ridge Mount rail as shown.



**IMPORTANT - READ BEFORE USE**

Please ensure the system is fitted in accordance with the fitting instructions. It is important that you observe all outlined below.

**LOAD RECOMMENDATIONS**

- Routinely and regularly check the proper functioning of the system. Check all fixtures at regular intervals.
- Do not use an automatic carwash with system installed.
- Maximum load capacity of the system is 661lbs/300kg under static conditions.
- Maximum load capacity of the system is 220lbs/100kg under dynamic including off-road conditions.
- Do not exceed vehicle manufacturers recommended load rating if it is lower than the maximum load capacity specified in this document (i.e., 220lbs/100kg).
- Ensure any load carried is evenly distributed.
- Actual load on vehicle Roof (Refer to owner's manual) = Weight of Roof rack system / Ridge Mount + Weight of platform + Weight of cargo.
- Actual load on rack system (Refer to product instructions) = platform weight + cargo.

**WARRANTY INFORMATION**

For full Warranty details refer to Kaymar website.

Kaymar.com.au

**NOTE**

All content subject to APG copyright.