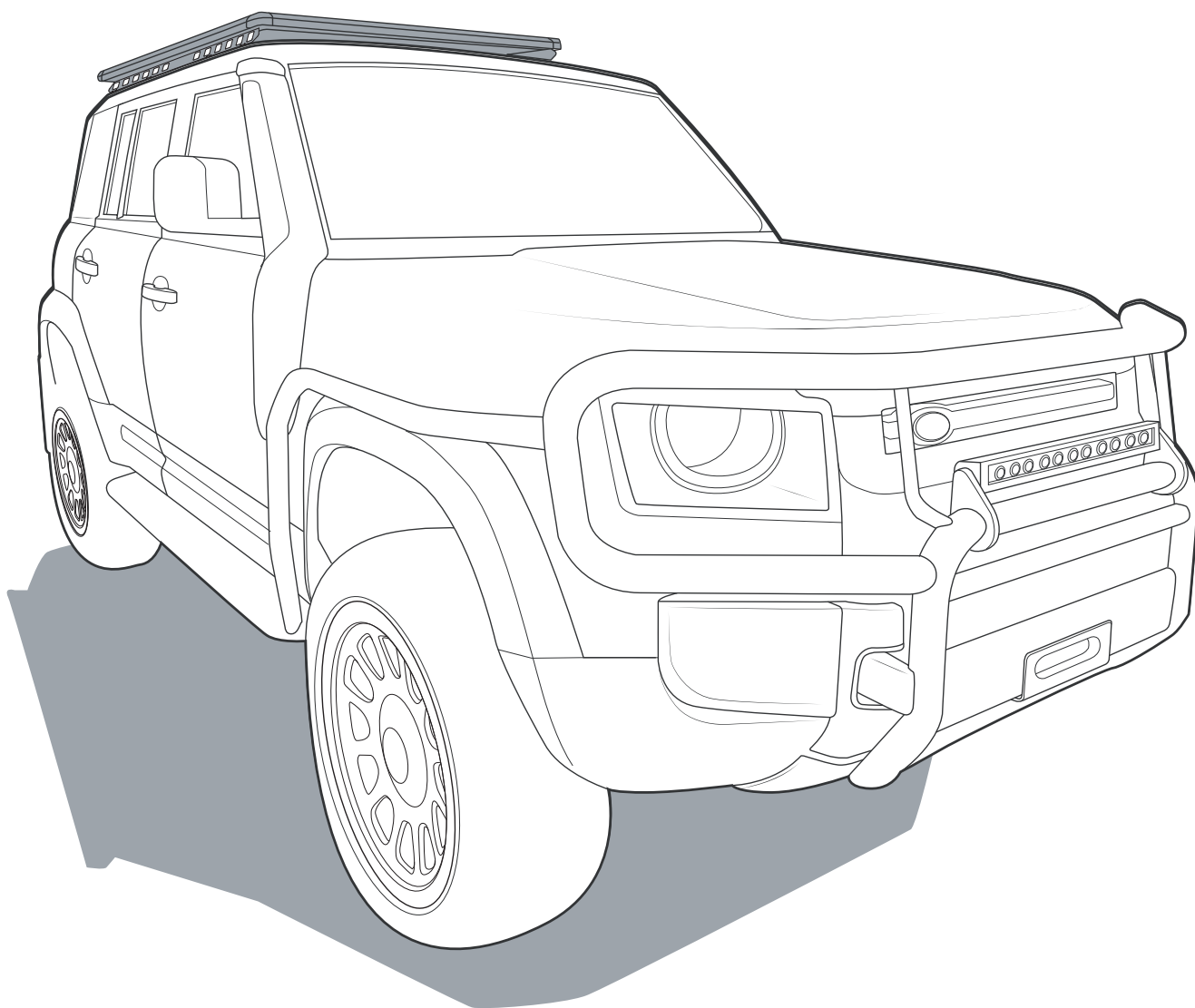


KAYMAR



Read this full instruction prior to commencing assembly and fitment of Ridge Mount System.

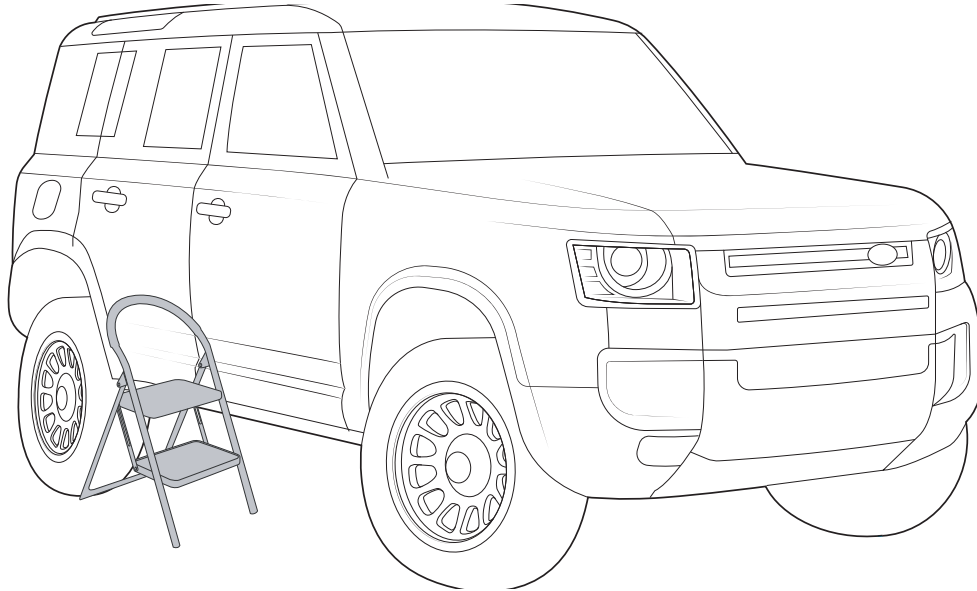
CONTENT - CHECK ALL PARTS ARE CORRECT BEFORE PROCEEDING

A		Ridge Mount (pair)	1
B		Front Stud Plate	2
C		Rear Stud Plate	4
D		M6 Cap screw	16
E		M6 Washer	16
F		M8 Cap Screw	10
G		M8 Washer	32
H		M8 Nyloc Nut	22
I		Land Rover Defender T Plate	10
J		EPDM Foam - Land Rover Defender	10

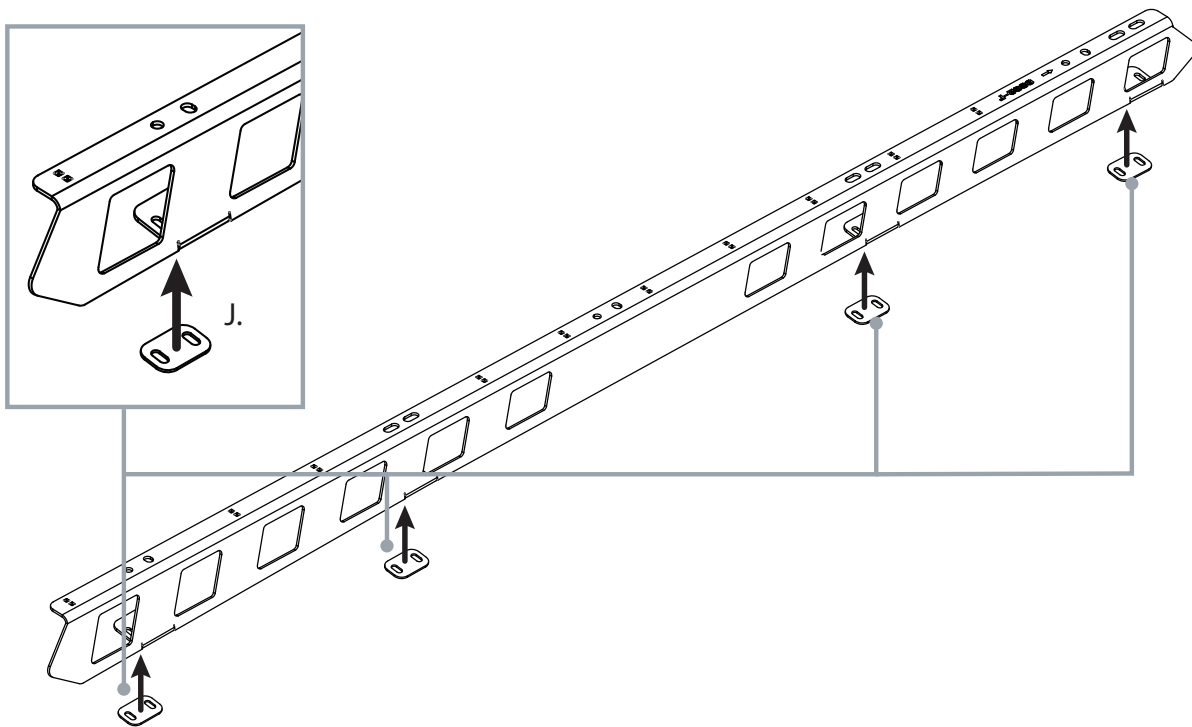
TOOLS REQUIRED

- 5mm allen tool.
- 6mm allen tool.
- 13mm socket wrench.
- 13mm spanner.
- Step ladder.

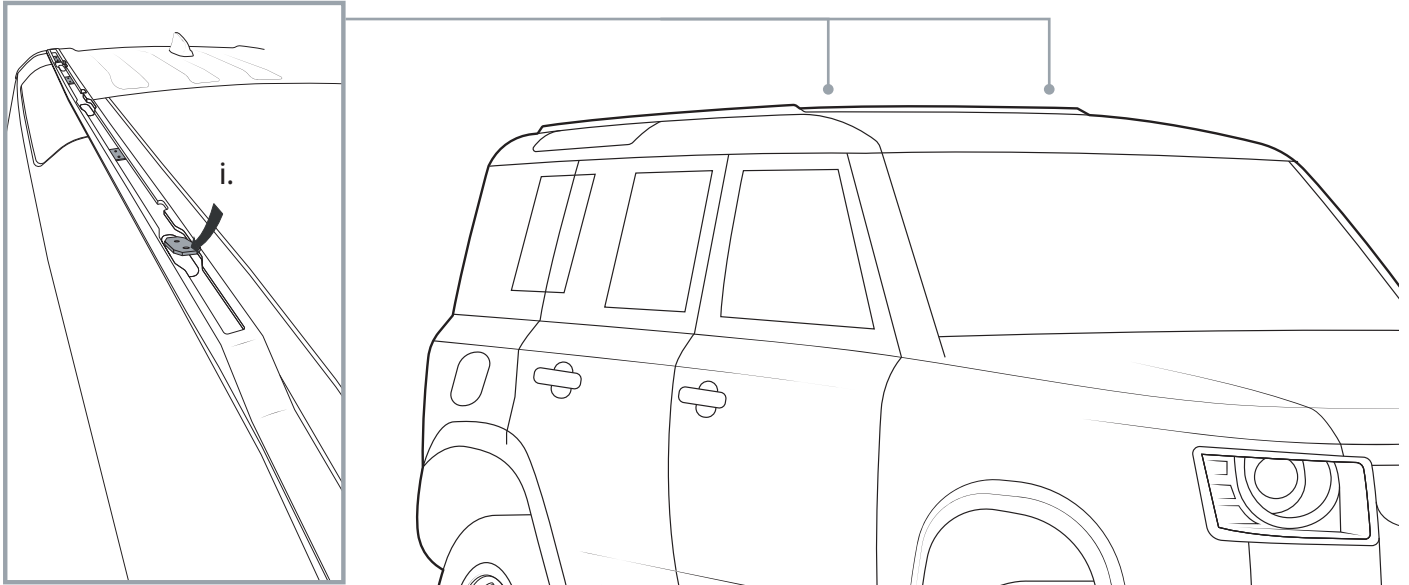
Move to the side of the vehicle. Use a step ladder to get access to the vehicle roof.



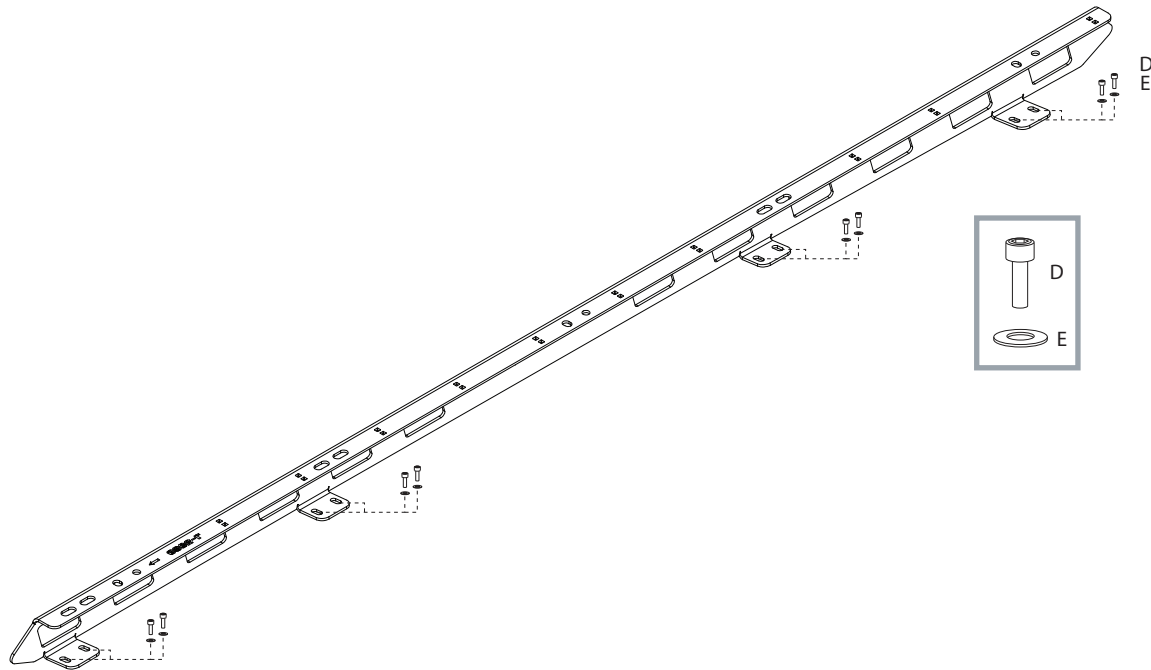
Stick 1x EPDM foam to the bottom of each Ridge Mount foot.



Place 4x Land Rover Defender T-Plate in each of the roof rails.

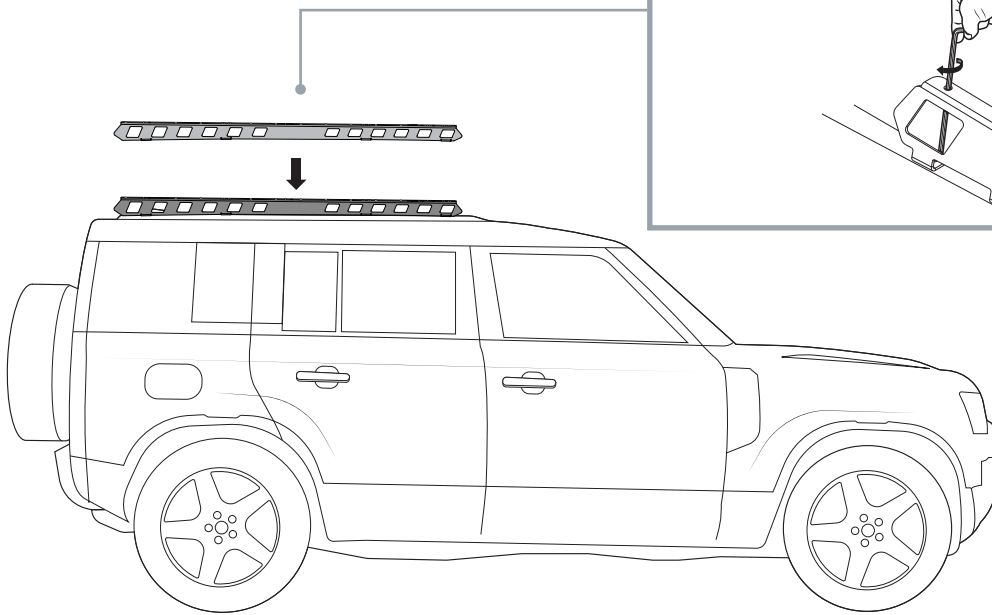
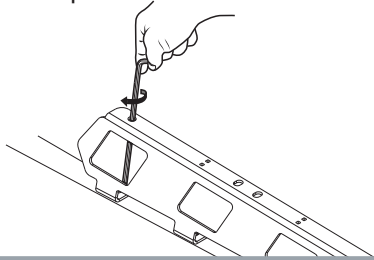


Assemble M6 hardware into the Ridge Mount Rails as shown.

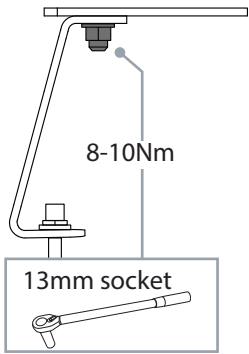
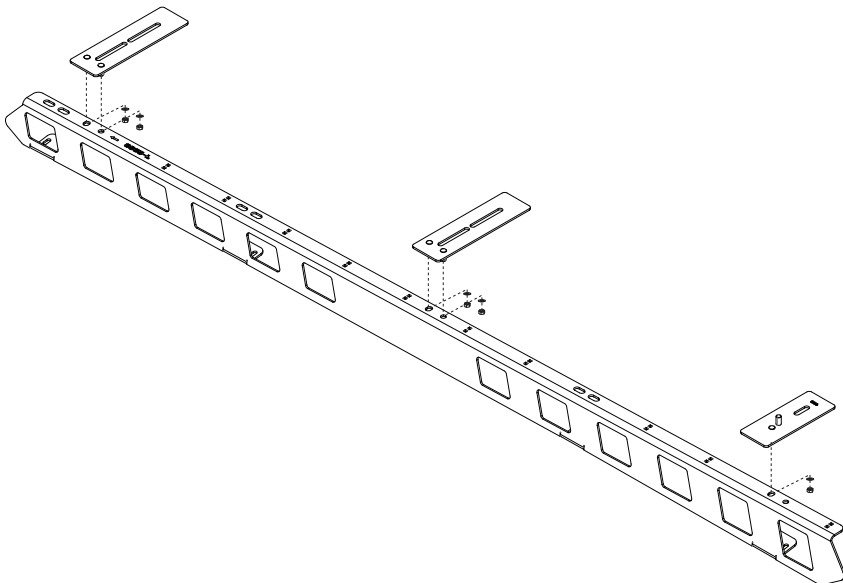


Place the Ridge Mount assembly onto the roof. The M6 hardware will pick up the Land Rover T-Plates installed into the rails.

Tighten the M6 hardware with a 5mm allen key to 5-6Nm.
Note: Access hardware through cutouts on side of the rail or located on top.

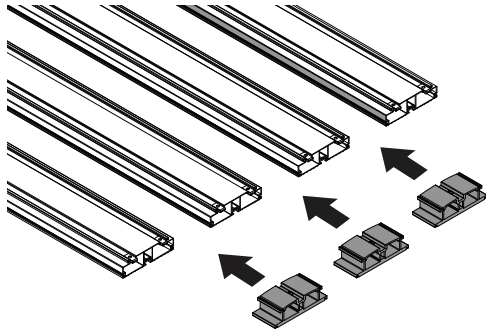


Install the stud plates as shown.

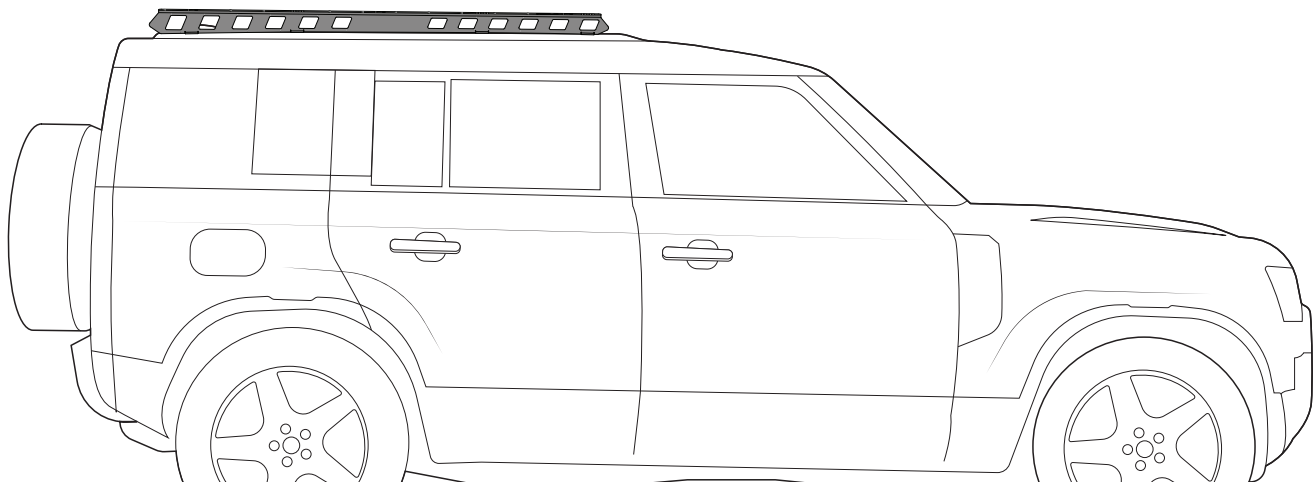
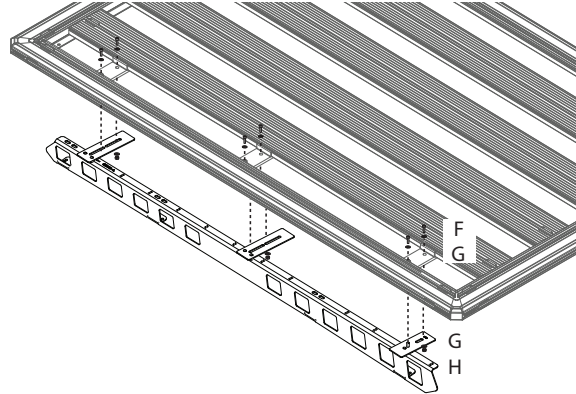


8-10Nm
13mm socket

Install the Kaymar Platform as per corresponding instructions.

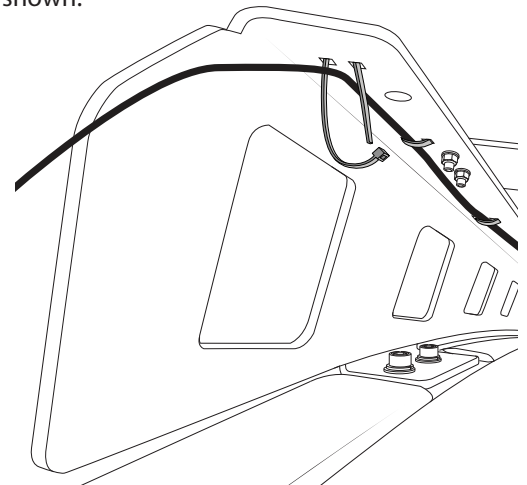
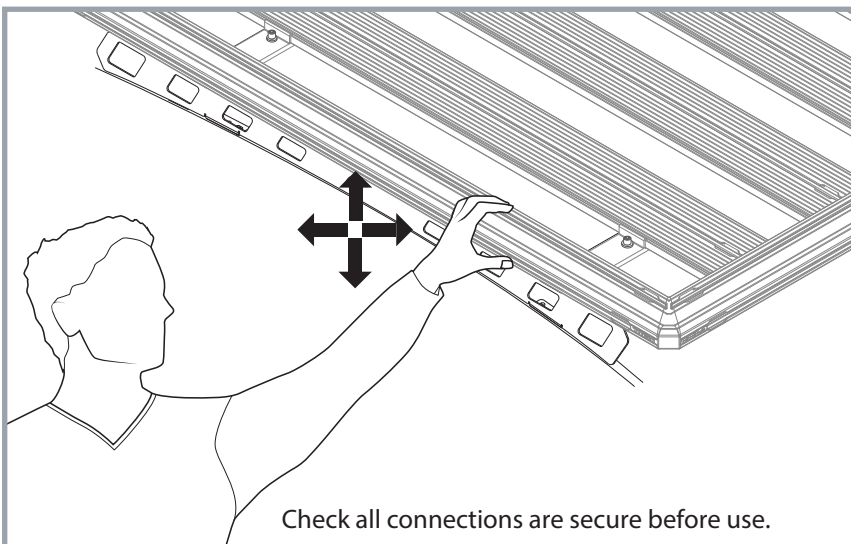


Install the interlocking blocks, as per step in Kaymar Platform Fitting Instructions.



Note:

Wiring can be run and secured on the underside of the Ridge Mount rail as shown.



IMPORTANT - READ BEFORE USE**Please ensure the system is fitted in accordance with the fitting instructions.**

It is important that you observe all outlined below.

**LOAD RECOMMENDATIONS**

- Routinely and regularly check the proper functioning of the system. Check all fixtures at regular intervals.
- Do not use an automatic carwash with system installed.
- Maximum load capacity of the system is 661lbs/300kg under static conditions.
- Maximum load capacity of the system is 220lbs/100kg under dynamic including off-road conditions.
- Do not exceed vehicle manufacturers recommended load rating if it is lower than the maximum load capacity specified in this document (i.e., 220lbs/100kg).
- Ensure any load carried is evenly distributed.
- Actual load on vehicle Roof (Refer to owner's manual) = Weight of Roof rack system / Ridge Mount + Weight of platform + Weight of cargo.
- Actual load on rack system (Refer to product instructions) = platform weight + cargo.

WARRANTY INFORMATION

For full Warranty details refer to Kaymar website.

Kaymar.com.au

NOTE

All content subject to APG copyright.