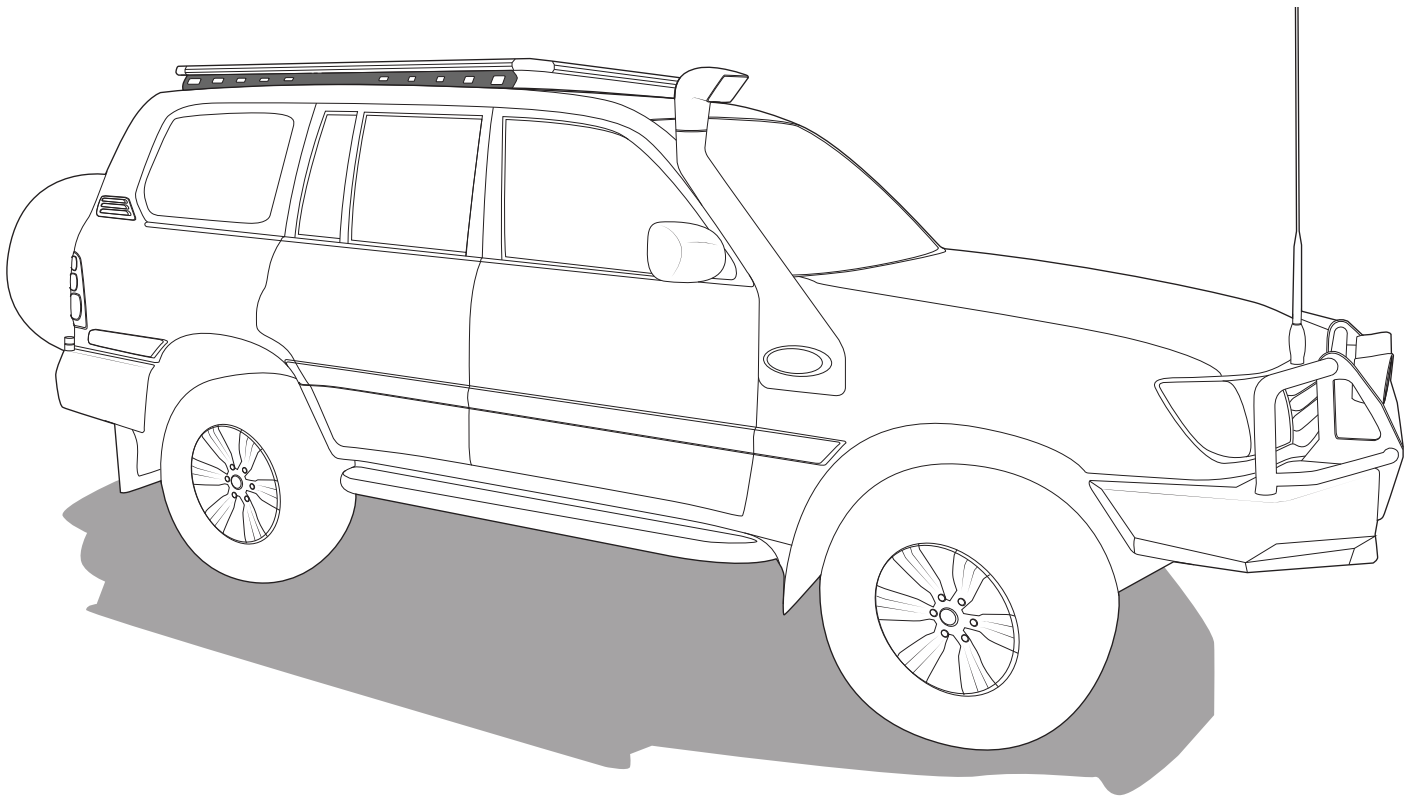
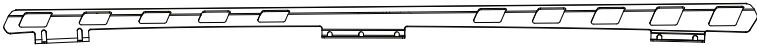
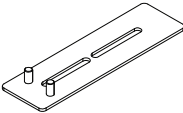



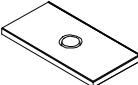
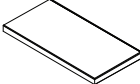


KAYMAR



Read this full instruction prior to commencing assembly and fitment of Ridge Mount System.

CONTENT - CHECK ALL PARTS ARE CORRECT BEFORE PROCEEDING

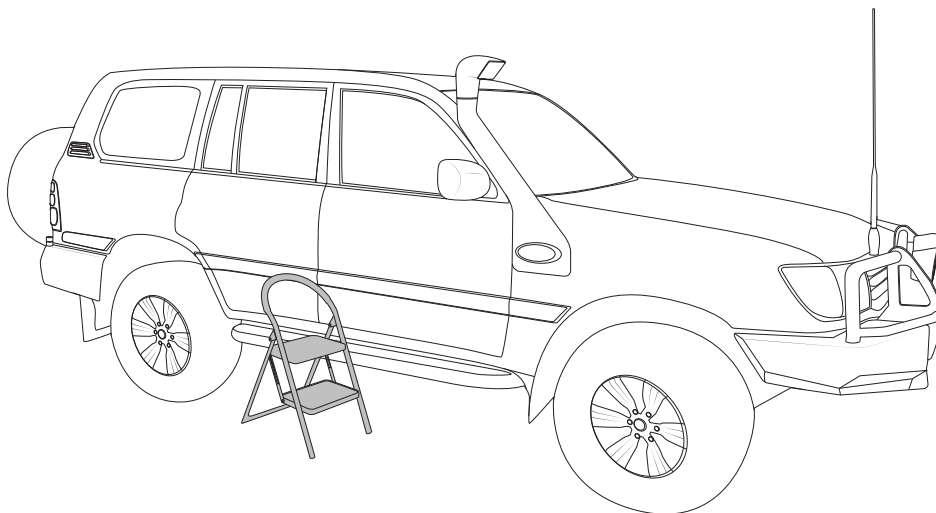
A		Ridge Mount (pair)	1
B		Stud Plate	6
C		M8x25mm Cap screw	26
D		M8 Flat Washer	50
E		M8 Nyloc Nut	24
F		Butyl Patch	28
G		Rubber Tape	4

TOOLS REQUIRED

- 6mm allen tool.
- 13mm socket wrench.
- Step ladder.
- Butyl mastic sealant.
- Flat blade screwdriver.

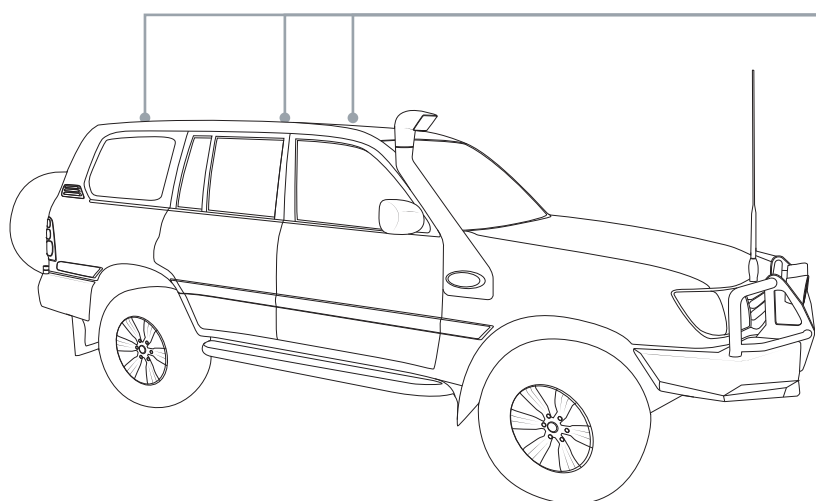
1

Move to the side of the vehicle. Use a step ladder to get access to the vehicle roof.

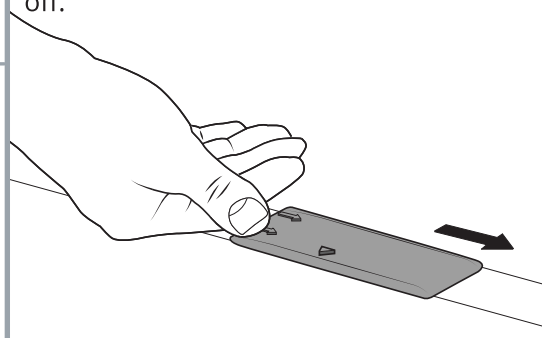


2

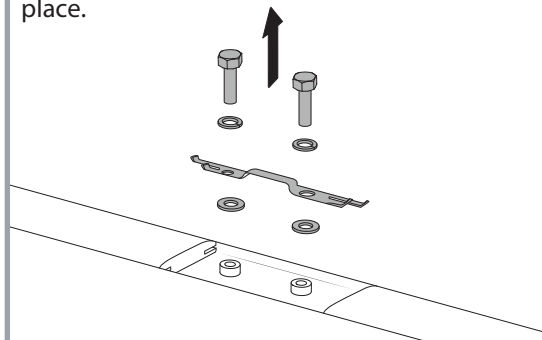
Carefully remove the 6 mounting point covers from the roof (3 per side).



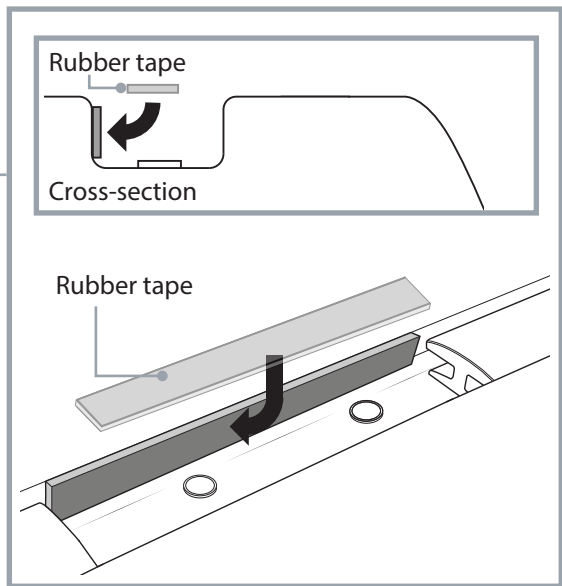
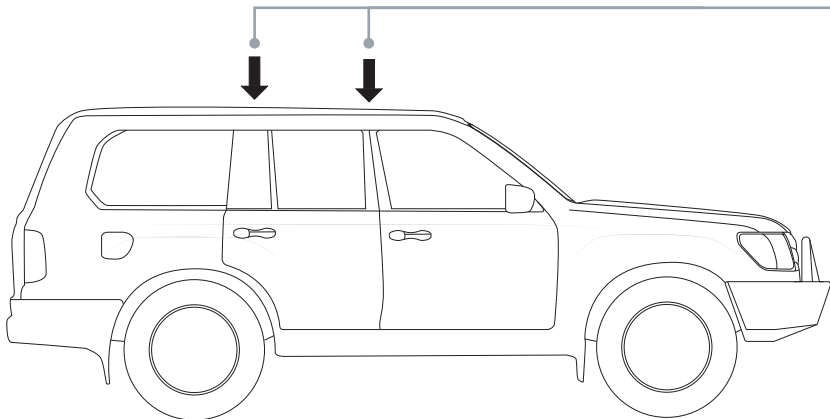
Slide them forward and lift outward and off.



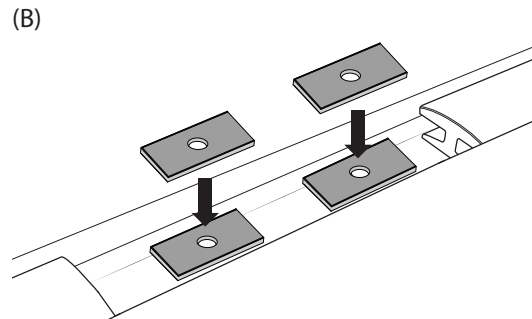
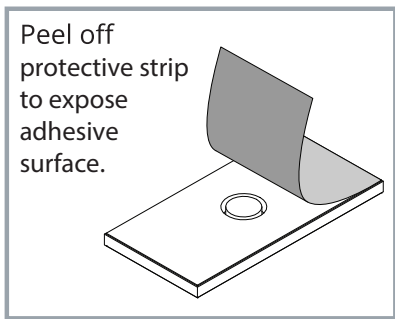
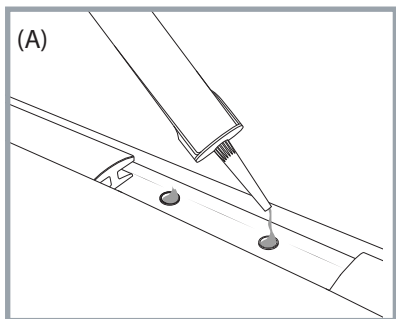
Remove the M8 hardware. Store in a safe place.



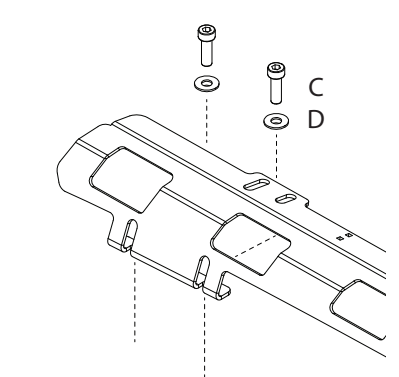
For front and mid mount points only: Apply the supplied rubber tape on the inside face of the exposed mount holes as shown.



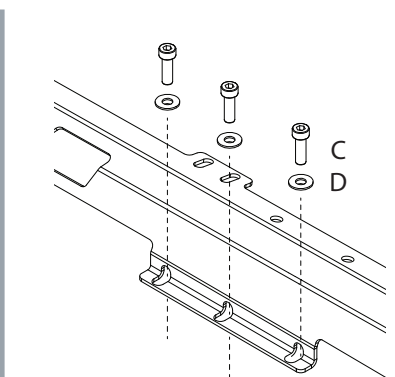
(A - OPTIONAL) Using butyl mastic, apply the sealant to all exposed holes in the roof.
 (B) Add 2x butyl patches to the exposed threads in the roof.



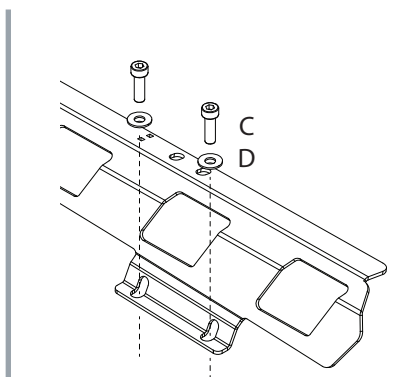
Install the M8 hardware into the Ridge Mounts.



Rear



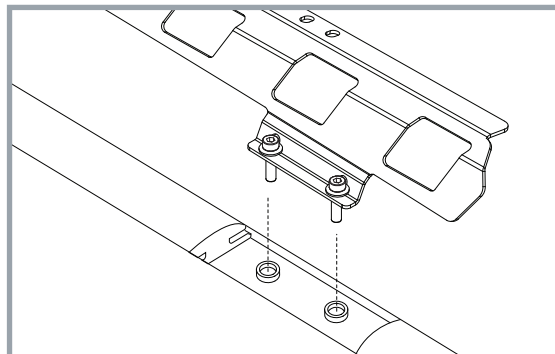
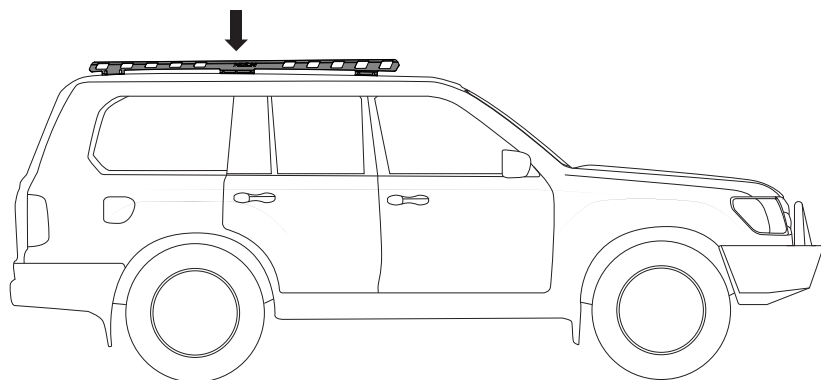
Middle



Front

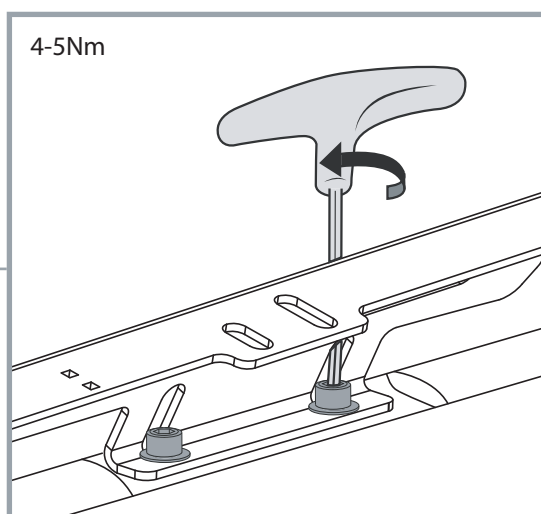
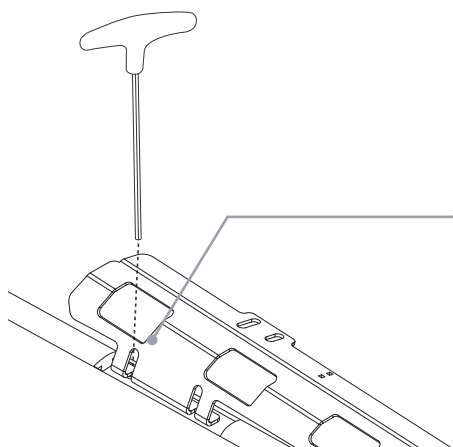
6

Place the Ridge Mount assembly onto the roof. The M8 hardware will pick up the factory threads in the roof.



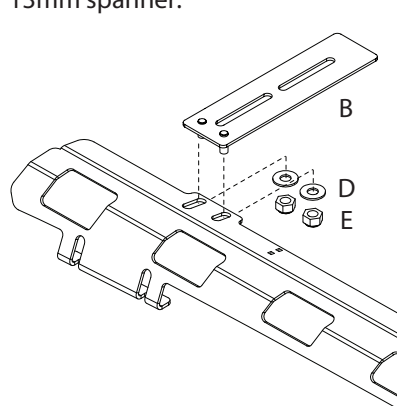
7

Tighten the M8 hardware with a 6mm allen key to 4-5Nm.

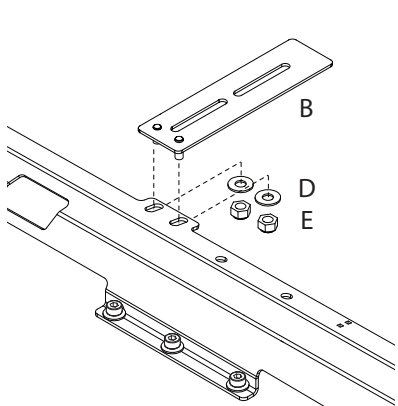


8

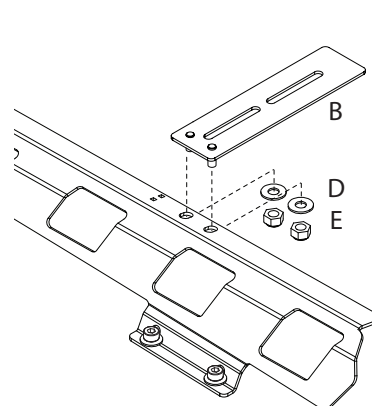
Install the stud plates and hardware as shown below. Tighten with a 13mm spanner.



Rear

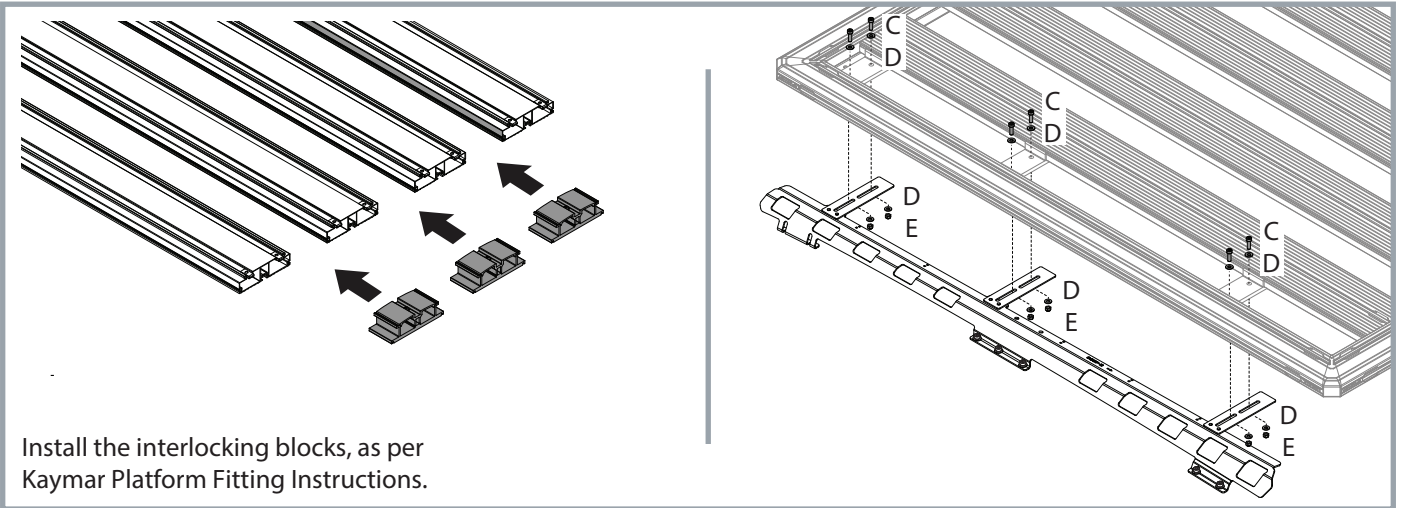


Middle

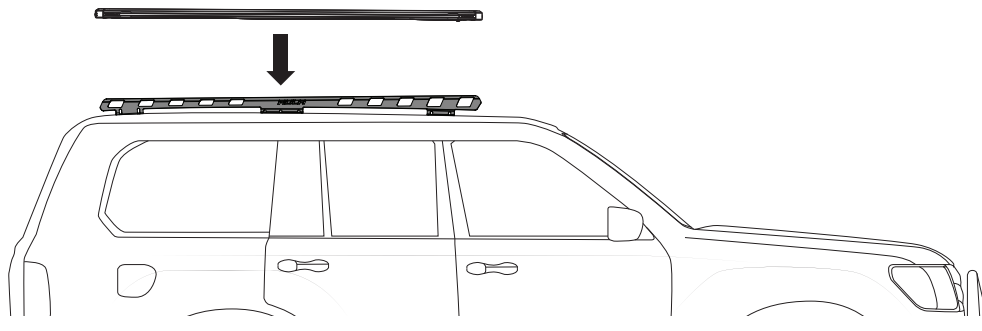


Front

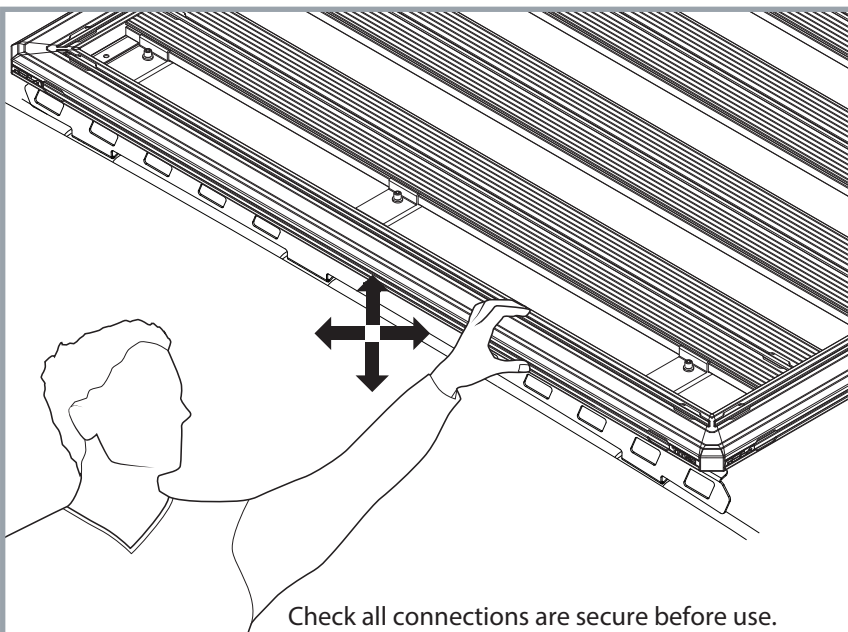
Install the Kaymar Platform as per corresponding instructions.



Install the interlocking blocks, as per Kaymar Platform Fitting Instructions.

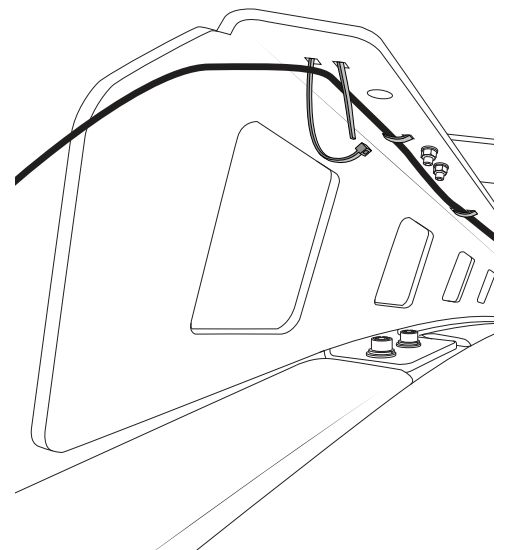


Note:



Check all connections are secure before use.

Wiring can be run and secured on the underside of the mount rail as shown.



IMPORTANT - READ BEFORE USE**Please ensure the system is fitted in accordance with the fitting instructions.**

It is important that you observe all outlined below.

**LOAD RECOMMENDATIONS**

- Routinely and regularly check the proper functioning of the system. Check all fixtures at regular intervals.
- Do not use an automatic carwash with system installed.
- Maximum load capacity of the system is 661lbs/300kg under static conditions.
- Maximum load capacity of the system is 220lbs/100kg under dynamic including off-road conditions.
- Do not exceed vehicle manufacturers recommended load rating if it is lower than the maximum load capacity specified in this document (i.e., 220lbs/100kg).
- Ensure any load carried is evenly distributed.
- Actual load on vehicle Roof (Refer to owner's manual) = Weight of Roof rack system / Ridge Mount + Weight of platform + Weight of cargo.
- Actual load on rack system (Refer to product instructions) = platform weight + cargo.

WARRANTY INFORMATION

For full Warranty details refer to Kaymar website.

Kaymar.com.au**NOTE**

All content subject to APG copyright.