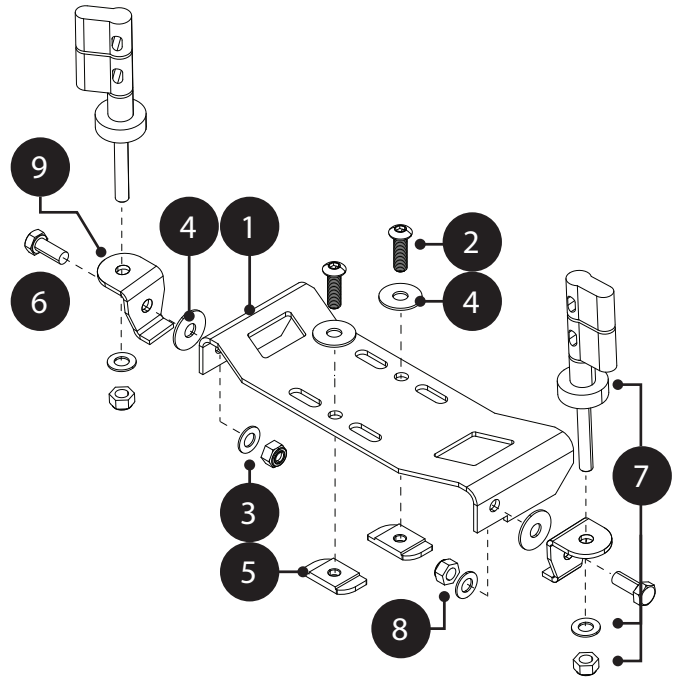




K-TTM-01 RECOVERY TRACK HOLDER

PN	DESCRIPTION	QTY
1	K-TTM-01 BRACKETS	PAIR
2	M8X16MM BTN HEAD SCREWS	4
3	M8 FLAT WASHER	4
4	M8 LARGE FLAT WASHER	8
5	M8 CHANNEL NUT	4
6	M8X20MM HEX BOLT	4
7	RECOVERY TRACK PINS	4
8	M8 NYLOC NUT	4
9	SIDE BRACKETS	4



Tools included:
5mm allen tool

Optional tools:
Torque wrench
Tape measure

