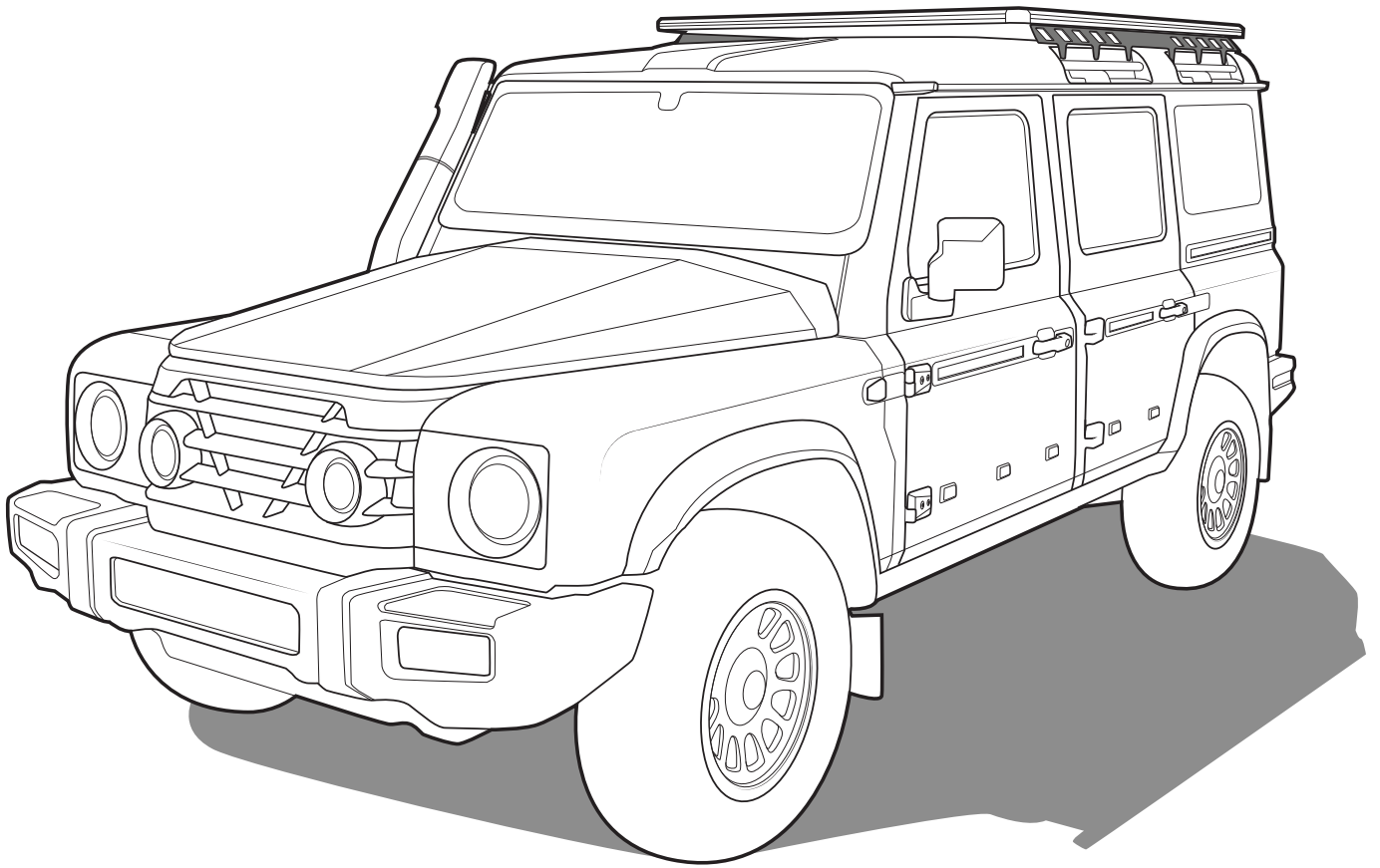

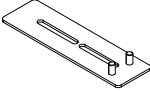


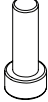
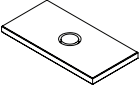
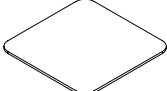


KAYMAR



Read this full instruction prior to commencing assembly and fitment of Ridge Mount system.

CONTENT - CHECK ALL PARTS ARE CORRECT BEFORE PROCEEDING

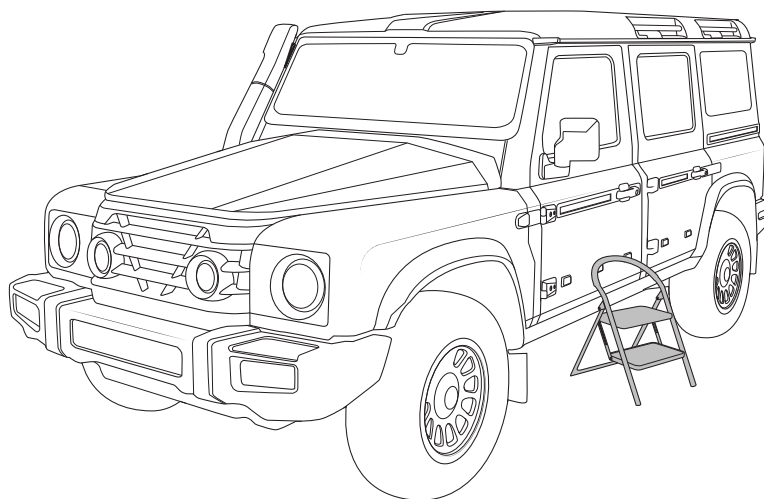
A		Ridge Mount (Pair)	1
B		Stud Plate	6
C		M8 Nyloc Nut	24
D		M8 Flat Washer	36
E		M8 Cap Screw	12
F		Butyl Patch	12
G		Rubber Scuff Protection	12

TOOLS REQUIRED

- 5mm allen tool.
- 13mm socket wrench.
- Step ladder.
- Clean cloth.
- T27 torx bit.

1

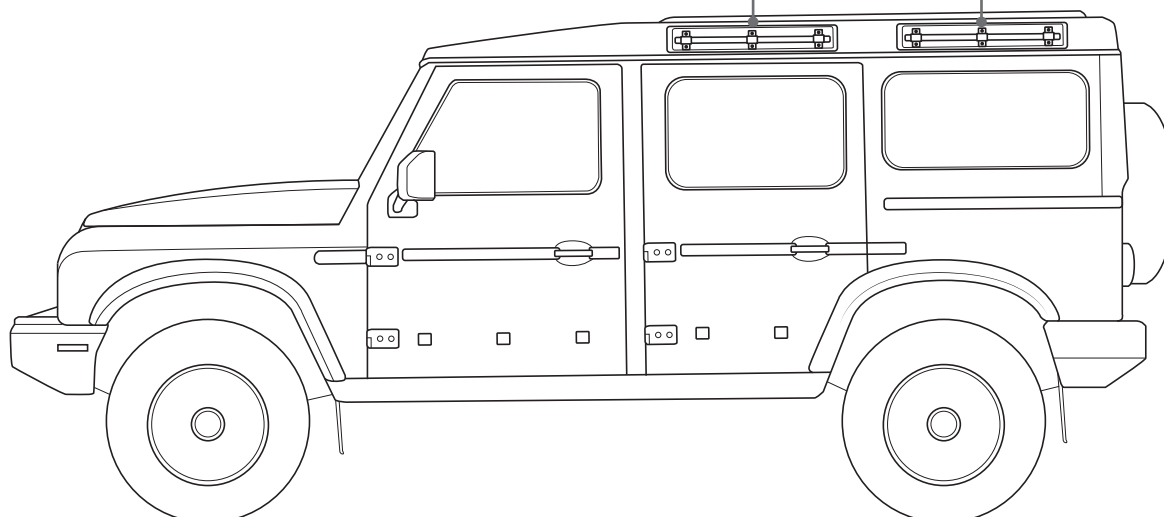
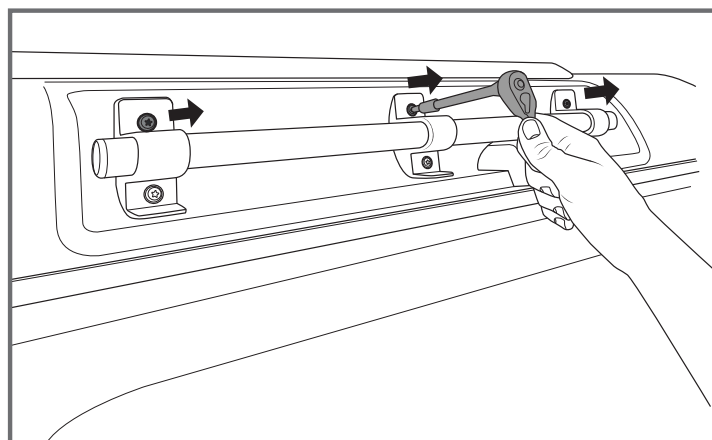
Move to the side of the vehicle. Use a step ladder to get access to the vehicle roof. This will be required at a later stage.



2

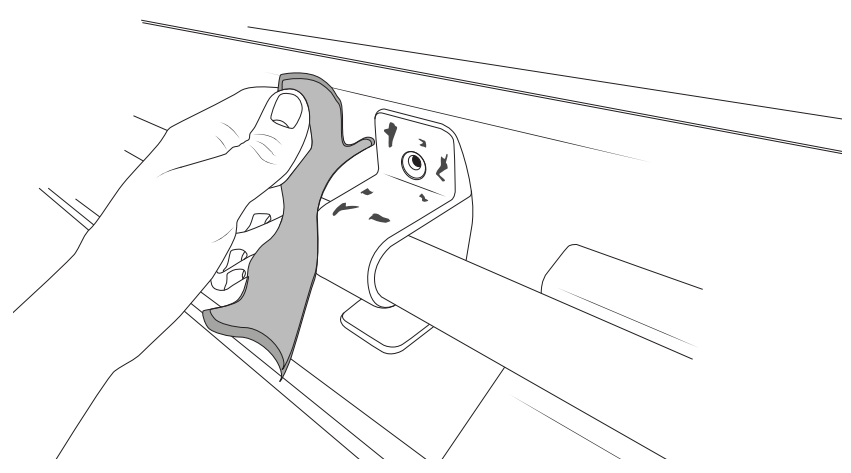
Move to the grab handles on the outside of the vehicle. Using a T27 torx bit, remove the **TOP BOLT ONLY**.

Note: There is a factory washer behind the torx bolt, ensure both washer and bolt are kept for later use.



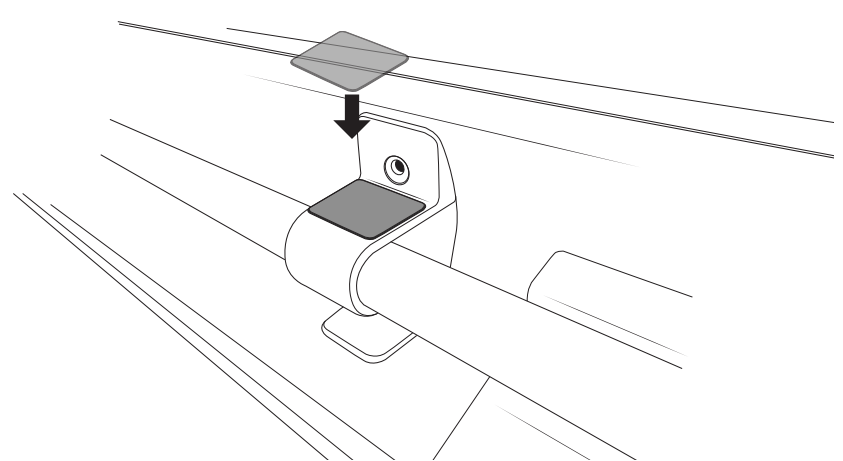
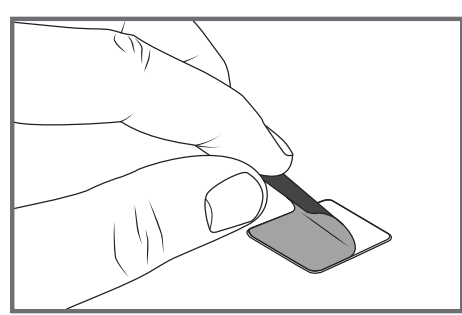
3

Use a clean cloth and remove any dirt or debris from the working area, where the factory hardware was just removed.



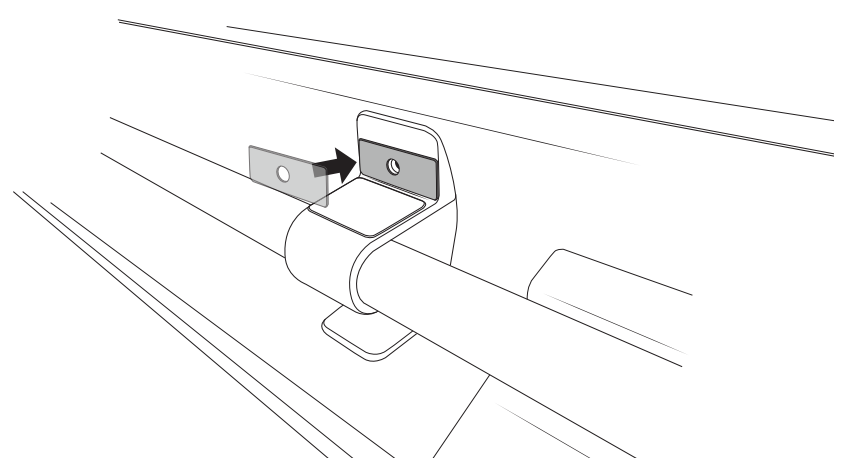
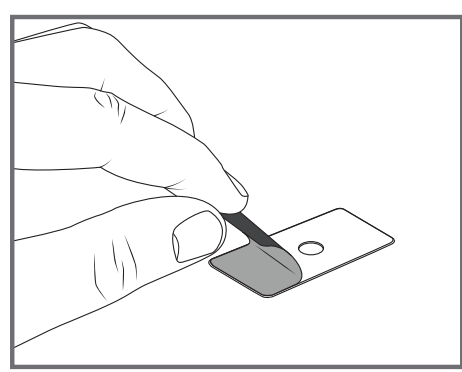
4

Remove the backing tape off a rubber scuff protection pad. Place horizontally below where the hardware was removed in step 2.



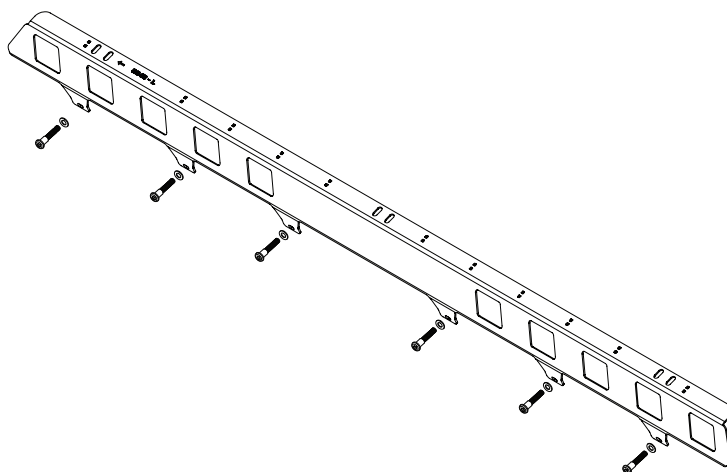
5

Remove the backing tape off a butyl patch. Place over the thread exposed where the hardware was removed in step 2.



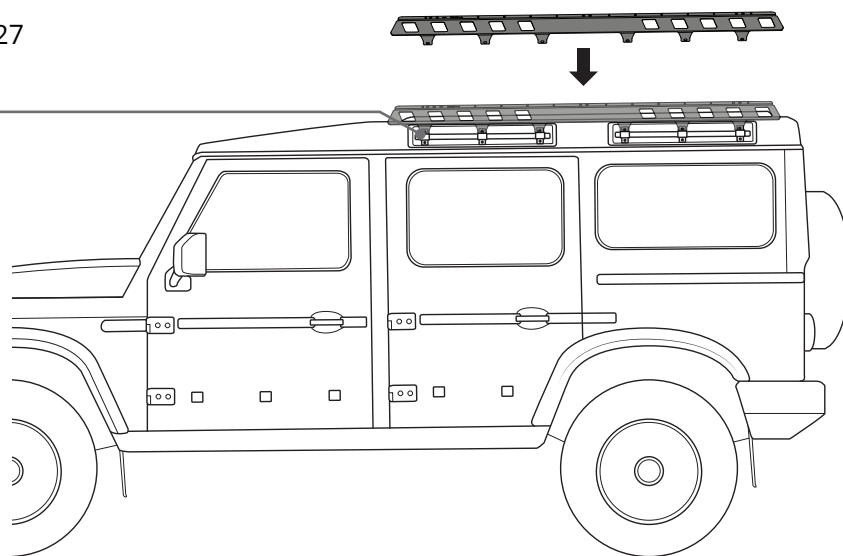
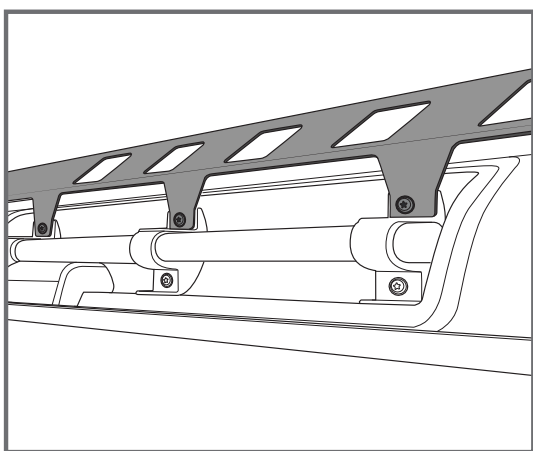
6

Place the factory hardware (torx bolt and washer) through the Ridge Mount rails.



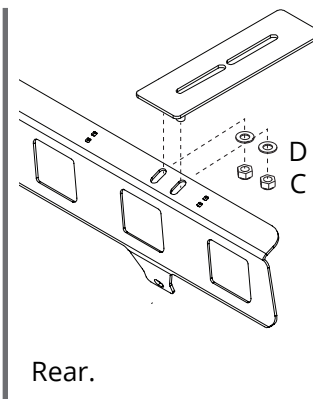
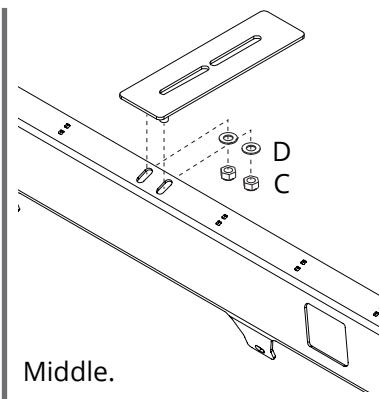
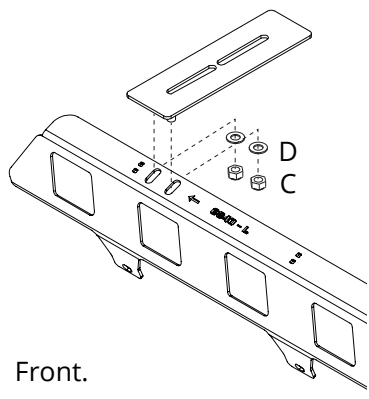
7

Install the Ridge Mount hardware into the threads exposed in step 2. Tighten with a T27 torx.

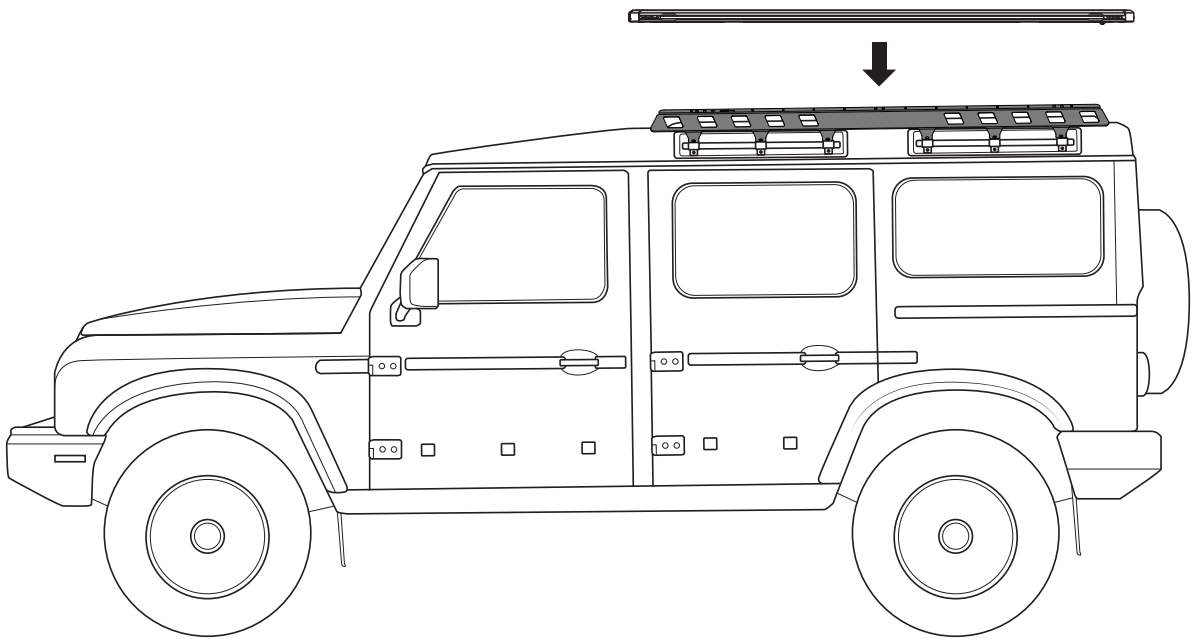
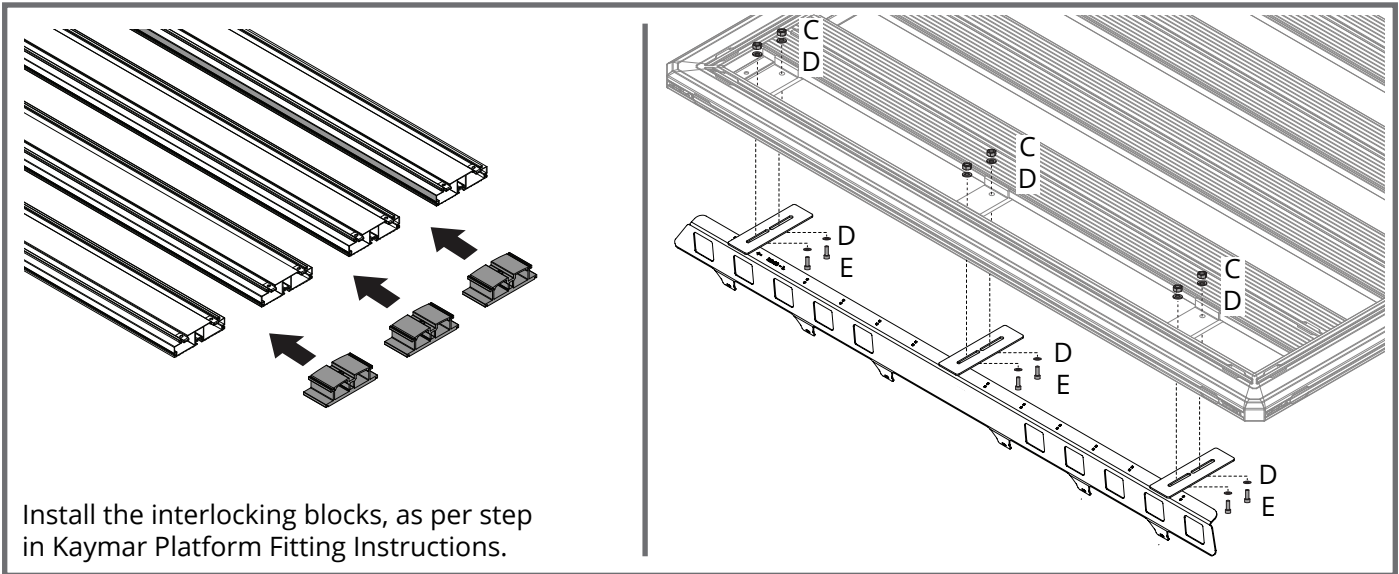


8

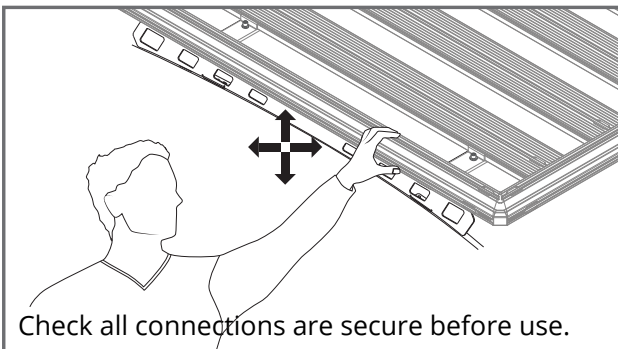
Install the stud plates to the Ridge Mount assemblies.



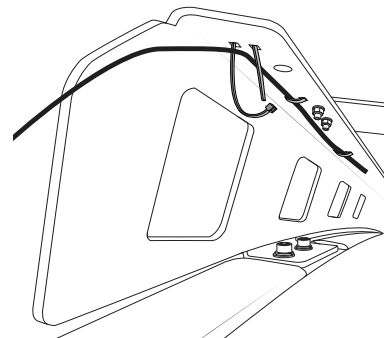
PLATFORM FITMENT



Note:



Wiring can be run and secured on the underside of the Ridge Mount rail as shown.



IMPORTANT - READ BEFORE USE

Please ensure the system is fitted in accordance with the fitting instructions.
It is important that you observe all outlined below.

**LOAD RECOMMENDATIONS**

- Routinely and regularly check the proper functioning of the system. Check all fixtures at regular intervals.
- Do not use an automatic carwash with system installed.
- Maximum load capacity of the system is 661lbs/300kg under static conditions.
- Maximum load capacity of the system is 220lbs/100kg under dynamic including off-road conditions.
- Do not exceed vehicle manufacturers recommended load rating if it is lower than the maximum load capacity specified in this document (i.e., 220lbs/100kg).
- Ensure any load carried is evenly distributed.
- Actual load on vehicle Roof (Refer to owner's manual) = Weight of Roof rack system / Ridge Mount + Weight of platform + Weight of cargo.
- Actual load on rack system (Refer to product instructions) = platform weight + cargo.

WARRANTY INFORMATION

For full Warranty details refer to Kaymar website.

Kaymar.com.au

NOTE

All content subject to APG copyright.