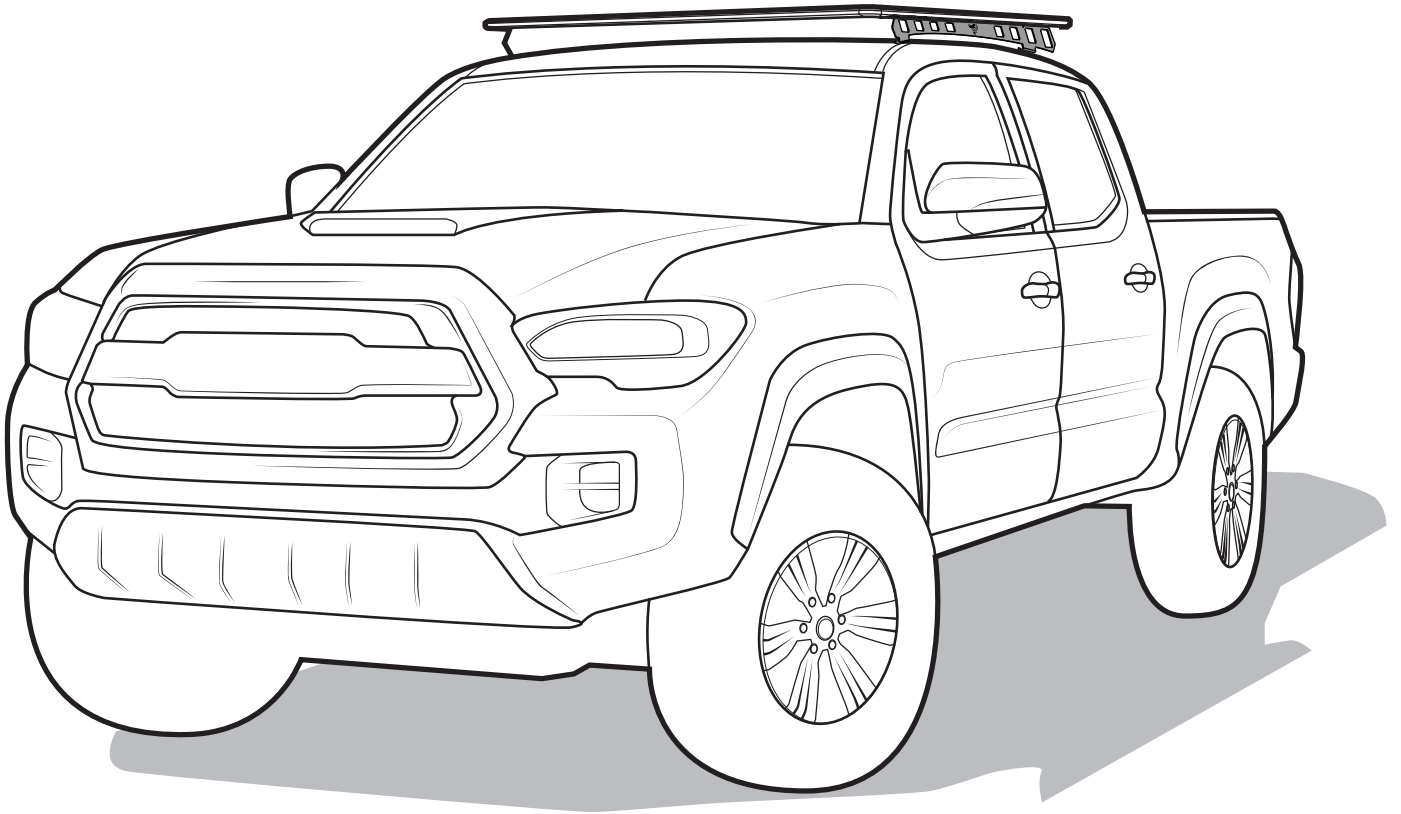
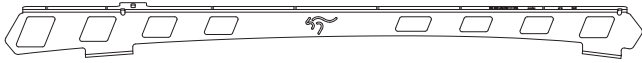
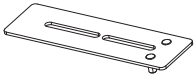
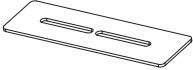







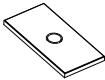


# KAYMAR



Read this full instruction prior to commencing assembly and fitment of Ridge Mount system.

**CONTENT - CHECK ALL PARTS ARE CORRECT BEFORE PROCEEDING**

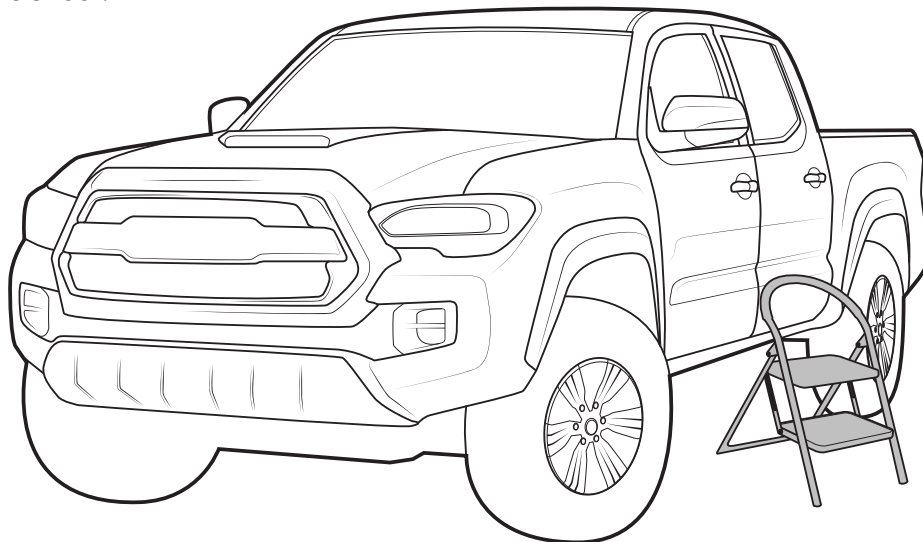
A		Ridge Mount (Pair)	1
B		Stud Plate Front	2
C		Stud Plate Rear	2
D		M6x20mm Cap Screw	8
E		M6 Flat Washer	8
F		Rubber Washer	8
G		M8x25mm Cap Screw	6
H		M8x30mm Cap Screw	2
I		M8 Flat Washer	20
J		M8 Nyloc	12
K		Butyl Patches	16

**TOOLS REQUIRED**

- 5mm allen tool.
- 13mm socket wrench.
- Step ladder.
- Butyl mastic sealant.
- Cold galvanising paint.
- Nylon scrape.
- Cutters.

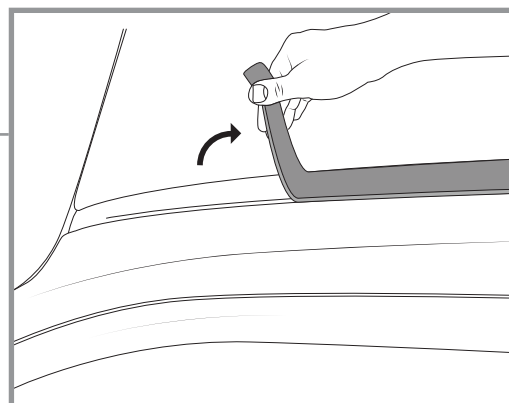
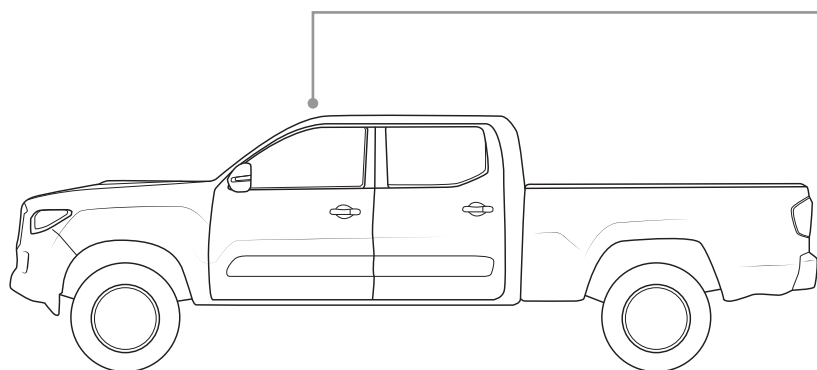
1

Move to the side of the vehicle. Use a step ladder to get access to the vehicle roof.



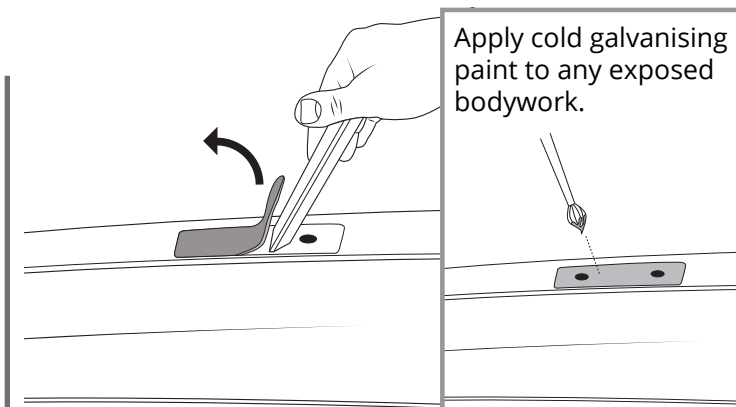
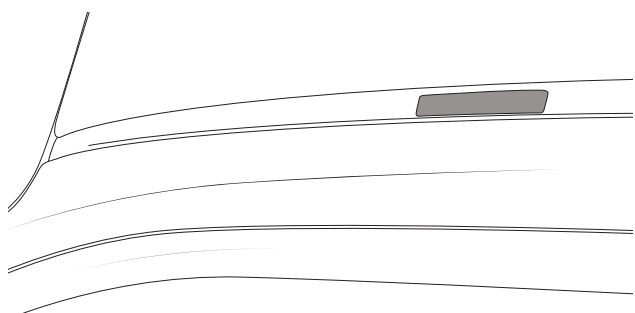
2

Starting at the front of the vehicle, pry out the roof gutter molding.



3

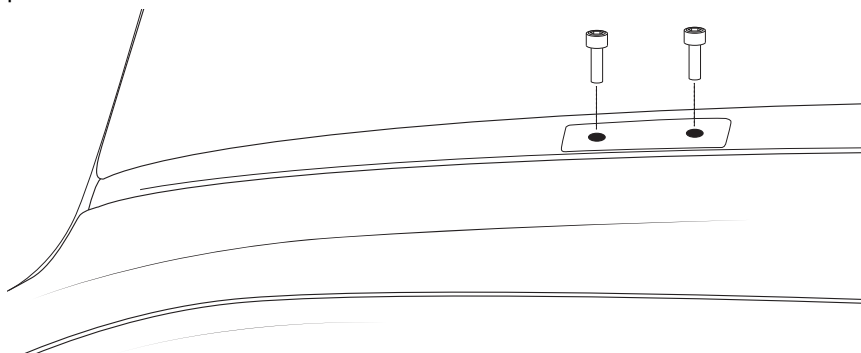
Using a nylon scrape, remove the two painted butyl patches in each roof gutter channel.



Apply cold galvanising paint to any exposed bodywork.

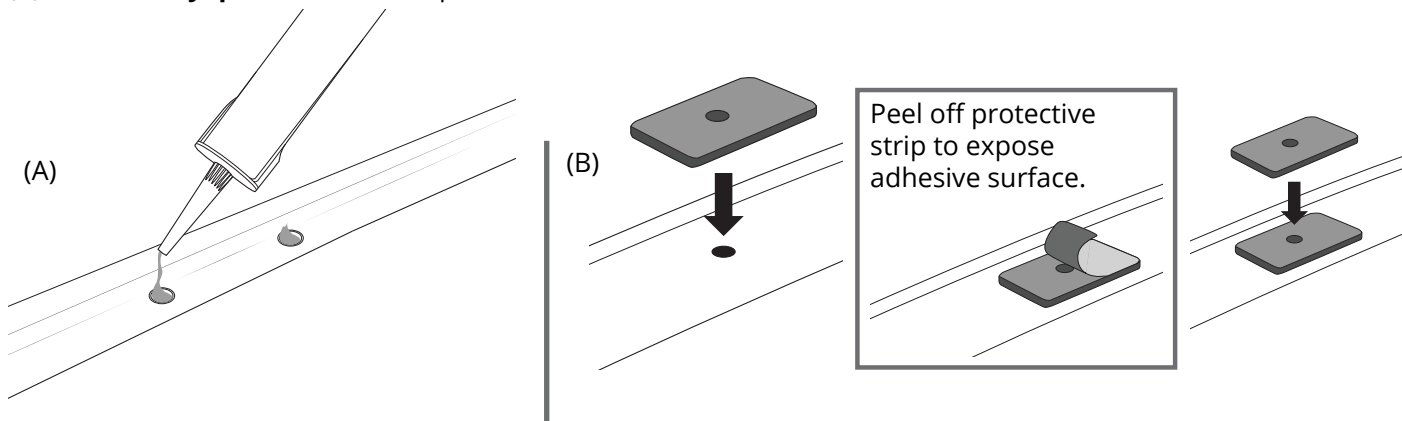
4

At this point, install an M6 cap screw into each of the threads now exposed in the roof. This is to test the threads are clear of debris that could cause binding. Remove after check is complete.



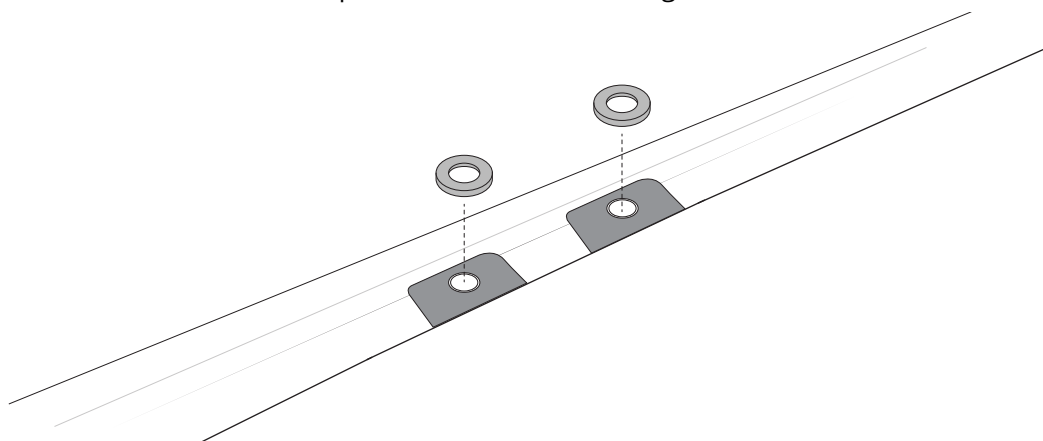
5

Clean the roof where the ditch fill was removed.  
 (A OPTIONAL) Using butyl mastic, apply the sealant to all exposed holes in the roof, back in step 3.  
 (B) Add **2x butyl patches** to the exposed threads in the roof.



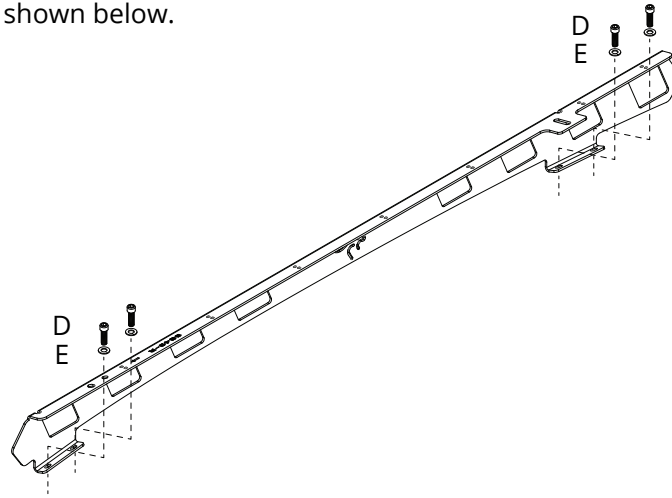
6

Place rubber washers over all the exposed threads in the roof gutter channel.



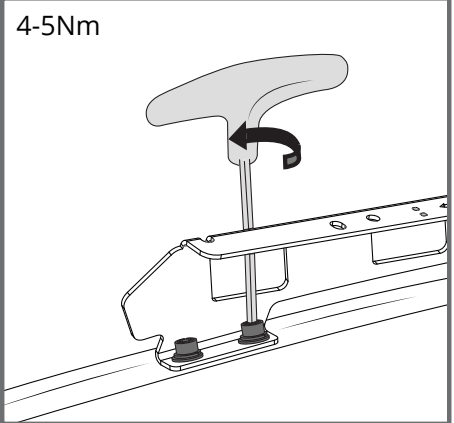
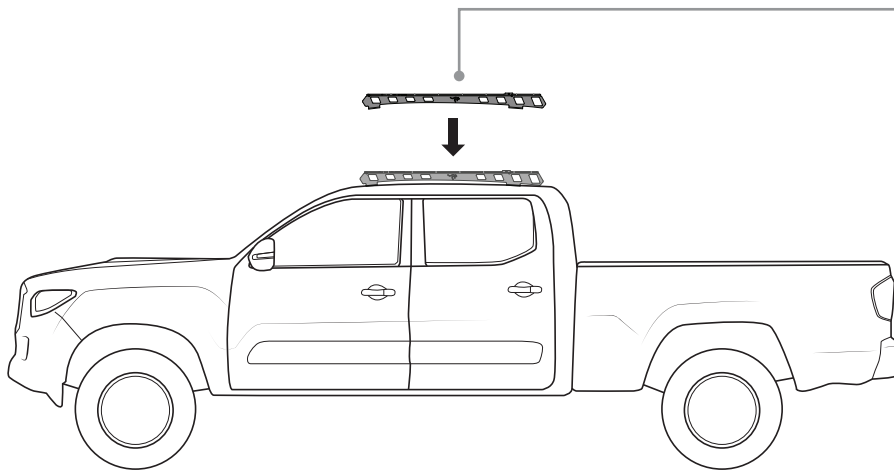
7

Install the M8 hardware as shown below.



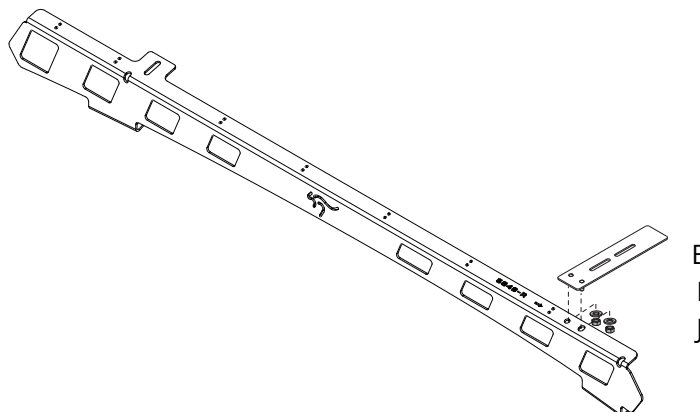
8

Place the rails onto the roof of the vehicle. Tighten the M6 hardware with a 5mm allen key to 4-5Nm.

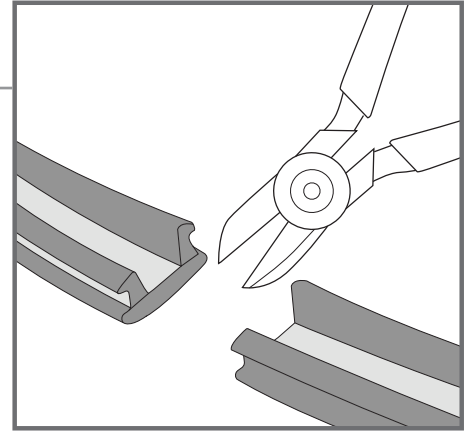
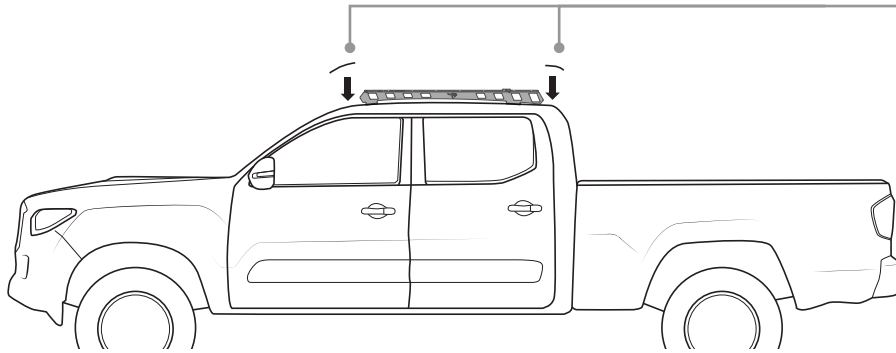


9

Install the stud plates as shown. Tighten with a 13mm spanner.

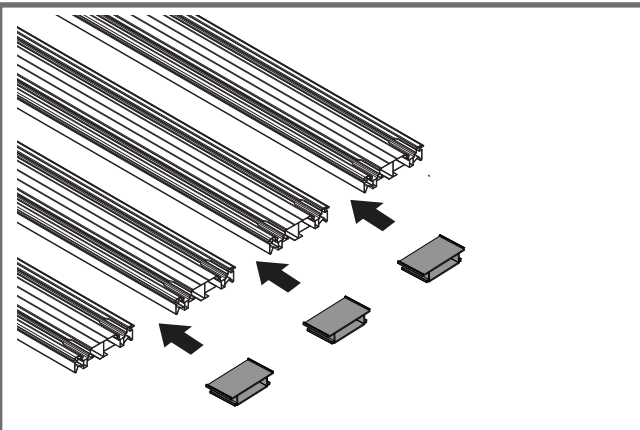


With the Ridge Mount installed, cut the roof gutter molding to fit around the assembly.

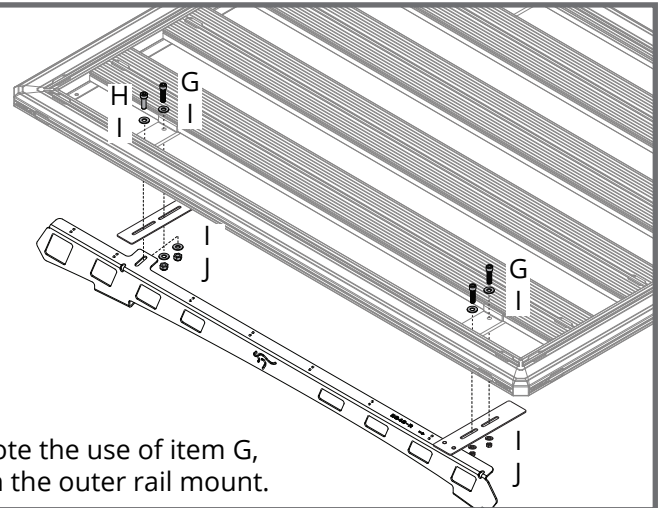


PLATFORM FITMENT

Install the Kaymar Platform as per corresponding instructions.



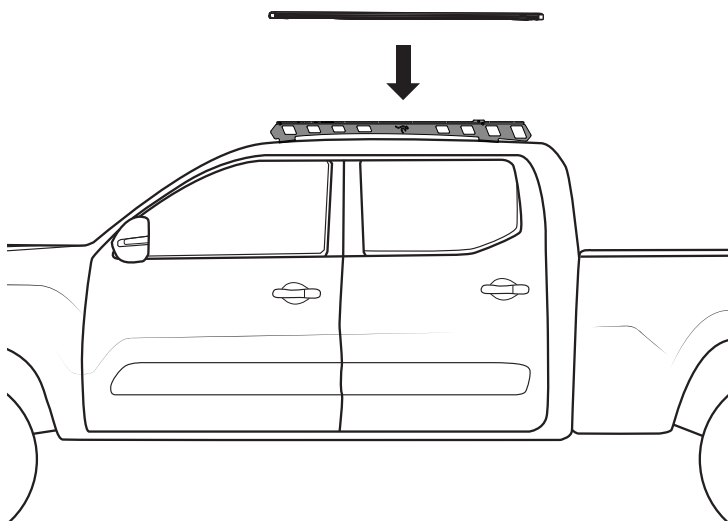
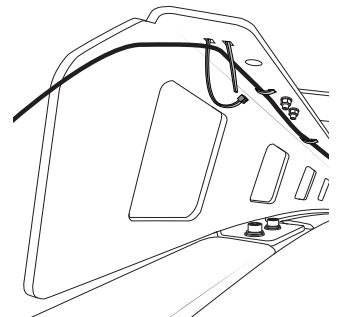
Install the interlocking blocks, as per step Kaymar Platform Fitting Instructions.



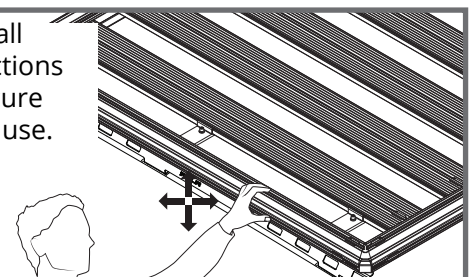
Note the use of item G, on the outer rail mount.

Note:

Wiring can be run and secured on the underside of the mount rail as shown.



Check all connections are secure before use.



**IMPORTANT - READ BEFORE USE****Please ensure the system is fitted in accordance with the fitting instructions.**

It is important that you observe all outlined below.

**LOAD RECOMMENDATIONS**

- Routinely and regularly check the proper functioning of the system. Check all fixtures at regular intervals.
- Do not use an automatic carwash with system installed.
- Maximum load capacity of the system is 661lbs/300kg under static conditions.
- Maximum load capacity of the system is 220lbs/100kg under dynamic including off-road conditions.
- Do not exceed vehicle manufacturers recommended load rating if it is lower than the maximum load capacity specified in this document (i.e., 220lbs/100kg).
- Ensure any load carried is evenly distributed.
- Actual load on vehicle Roof (Refer to owner's manual) = Weight of Roof rack system / Ridge Mount + Weight of Platform + Weight of cargo.
- Actual load on rack system (Refer to product instructions) = Platform weight + cargo.

**WARRANTY INFORMATION**

For full Warranty details refer to Kaymar website.

Kaymar.com.au

**NOTE**

All content subject to APG copyright.