



**SUBARU XV SUV CARGO BARRIER
'FRONT POSITION KIT'
INSTALLATION INSTRUCTION - Part # 705077**
VEHICLE YEARS OF MANUFACTURE - FROM MAY 2017
(Suitable for Sunroof vehicles only)



**Use this kit with Cargo Barrier part number 705075 only.
Kit will enable the barrier to be installed in the behind 1st row seats position.**

Installation time approximately 10 Mins.

"The estimated fitting time is based on an experienced fitter conversant with the fitment procedure"

Parts List

Item	Component Name	Part No.	Qty
1	Bush - Pivot Saddle	752680	2
2	Pivot Saddle	752700	2
3	Bolt - Hex Head, M10 x 1.5 x 20mm ZP	912205	2
4	Nut - Hex, Nyloc, M10 x 1.5 ZP	922090	2
5	Velcro Tie	904003	4
6	Bottom Strap	771999	2
7	Tube Extension Strap (Top)	771984	2
8	Lateral Support Bracket	753973	1
9	Milbolt - M10 x 1.5 x 19mm	912820	5
10	Flat Washer - 10mm ZP	932006	1



1



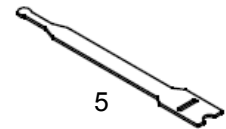
2



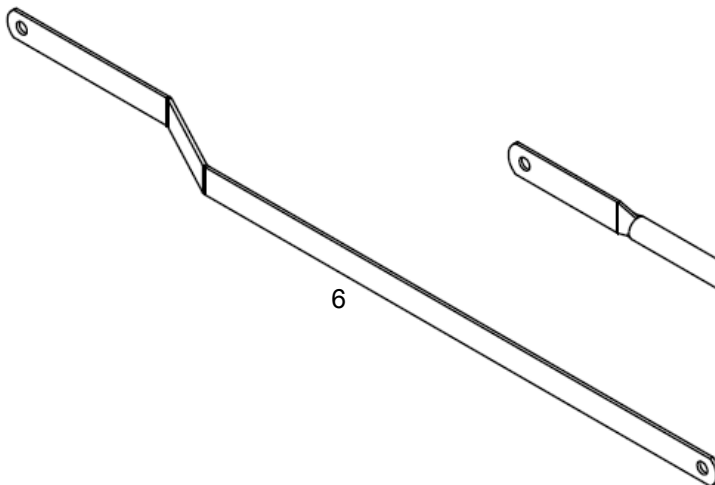
3



4

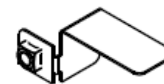


5



6

7



8



9



10

TOOLS REQUIRED

- Socket Wrench
- 17mm A/F Hex Socket
- 16mm A/F Spanner

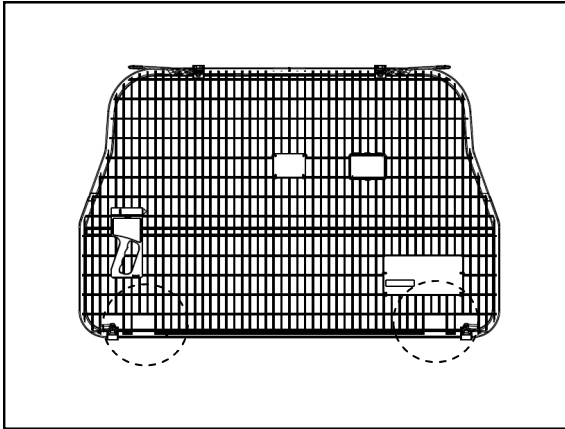
E and OE—Errors and Omissions Excepted



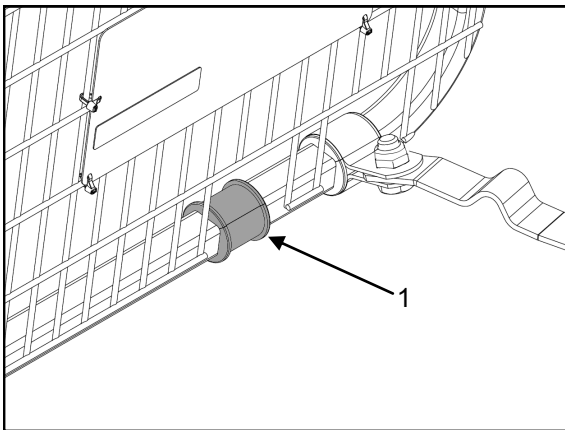
SUBARU XV SUV CARGO BARRIER
'FRONT POSITION KIT'
INSTALLATION INSTRUCTION - Part # 705077
VEHICLE YEARS OF MANUFACTURE - FROM MAY 2017
(Suitable for Sunroof vehicles only)



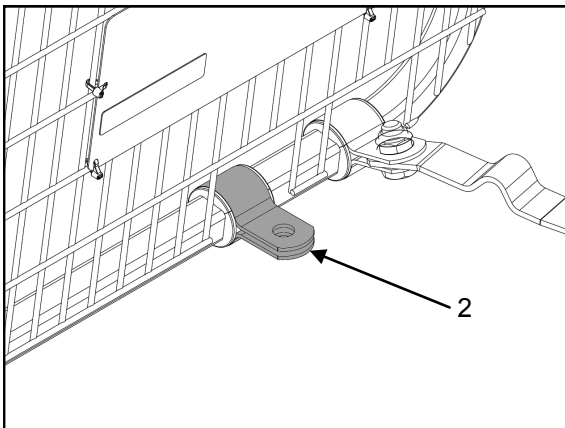
SECURE BOTTOM STRAPS TO CARGO BARRIER ASM



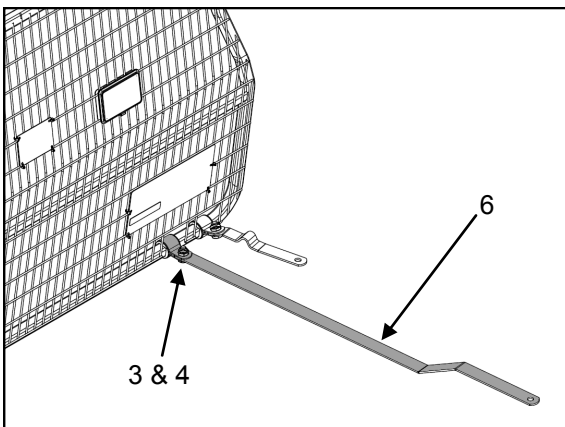
1. Locate the open apertures in the cargo barrier mesh at the bottom of the cargo barrier.



2. Place a saddle bush (1) over the cargo barrier frame as shown.



3. Place a pivot saddle (2) over the saddle bush then push the ends together.



4. Place a bottom front position strap (6) in between the saddle as shown then secure with an M10 bolt and nut (3 & 4).
5. Tighten the nut and bolt until the strap is firm in the saddle but can still be pivoted.
6. Repeat the above on the other side.
7. Pivot the long bottom straps across the meshed side of the cargo barrier then secure using Velcro ties (5).