

Fitting Instructions #3229IS

Ford Falcon

Rear Trailing Arm Front Bushing (Blade Arm)

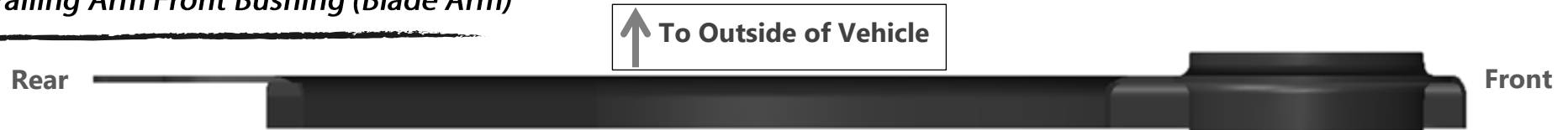


Figure 02 - LHS Trailing Arm - Top View

Note: Polyurethane bushings must be fitted to both sides of the vehicle.

- Wheel-align the vehicle before the job is started and note settings;
- Remove rear seat disconnect ABS cables from LH and RH side;
- After disconnecting the ABS cables, jack the vehicle up and support on jack stands/hoist and remove the trailing arms;
- Remove original shell parts from the housing with the use of a hydraulic press and suitable pressing tools;
- Using the grease supplied, lubricate the housing and the outer diameter of the new bushes and push them into the trailing arm housing. Note that both sides of the bush are the same;
- Generously lubricate the outside of the aluminium pins and inside of the bushes, then push the pins into the bushes. *Note* the orientation of the pin, as shown in Figure 02, the side with a shoulder (step) should be facing the inner side of the arm (towards the middle of the vehicle);
- Refit the trailing arms to the vehicle, tighten all bolts to manufacture's torque settings and reconnect ABS cables;
- Carry out wheel alignment.

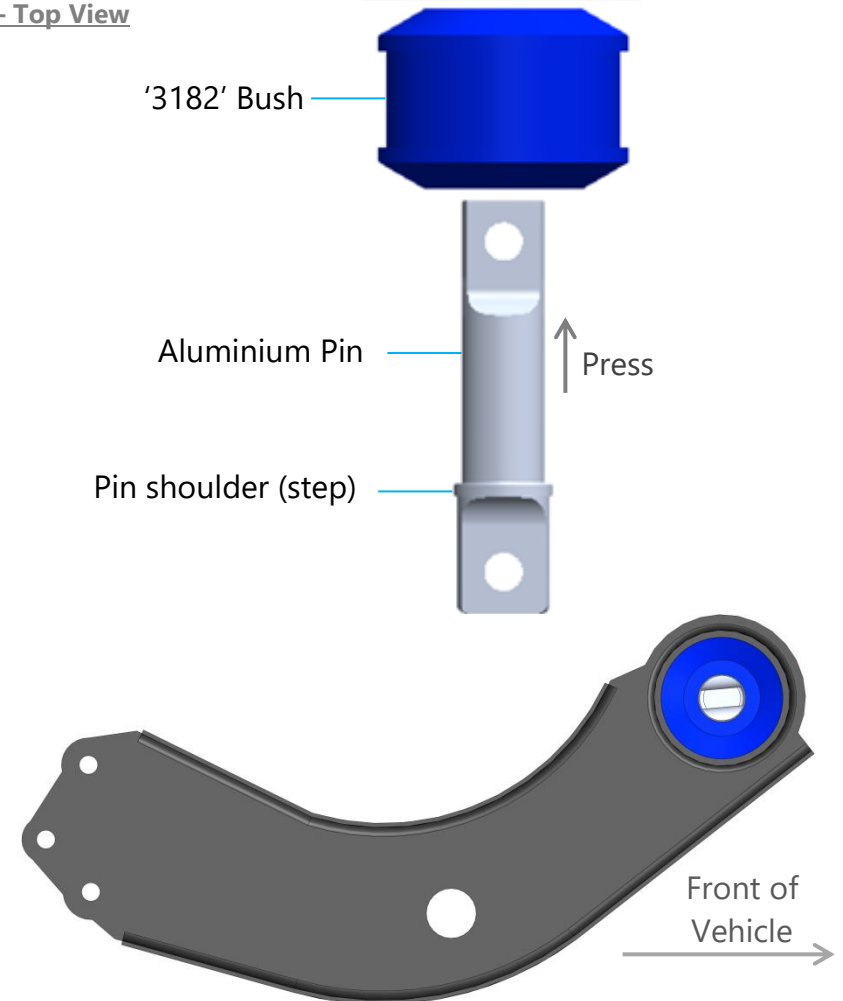


Figure 01 - LHS Trailing Arm - Side View (Inner Side)