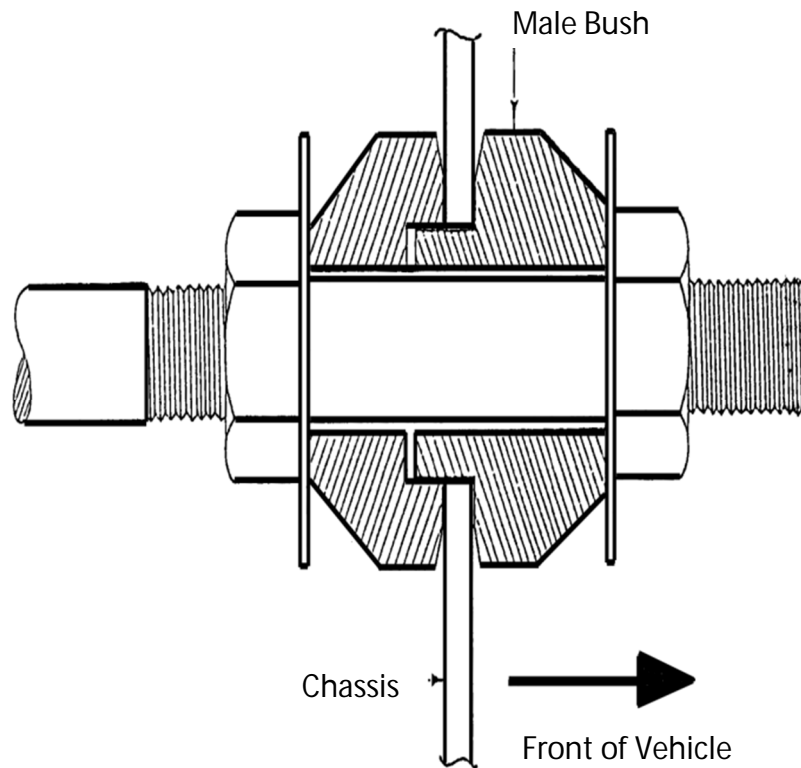


Fitting Instructions #0008IS



Universal Strut Bar Assembly

For correct installation of strut bar or radius rod to chassis bush, grease all parts of the bush which contact metal including crush tube. Ensure that the male bush is fitted into the chassis from the front of the vehicle.



Fitting Instructions #0008IS



Universal Strut Bar Assembly

For correct installation of strut bar or radius rod to chassis bush, grease all parts of the bush which contact metal including crush tube. Ensure that the male bush is fitted into the chassis from the front of the vehicle.

