

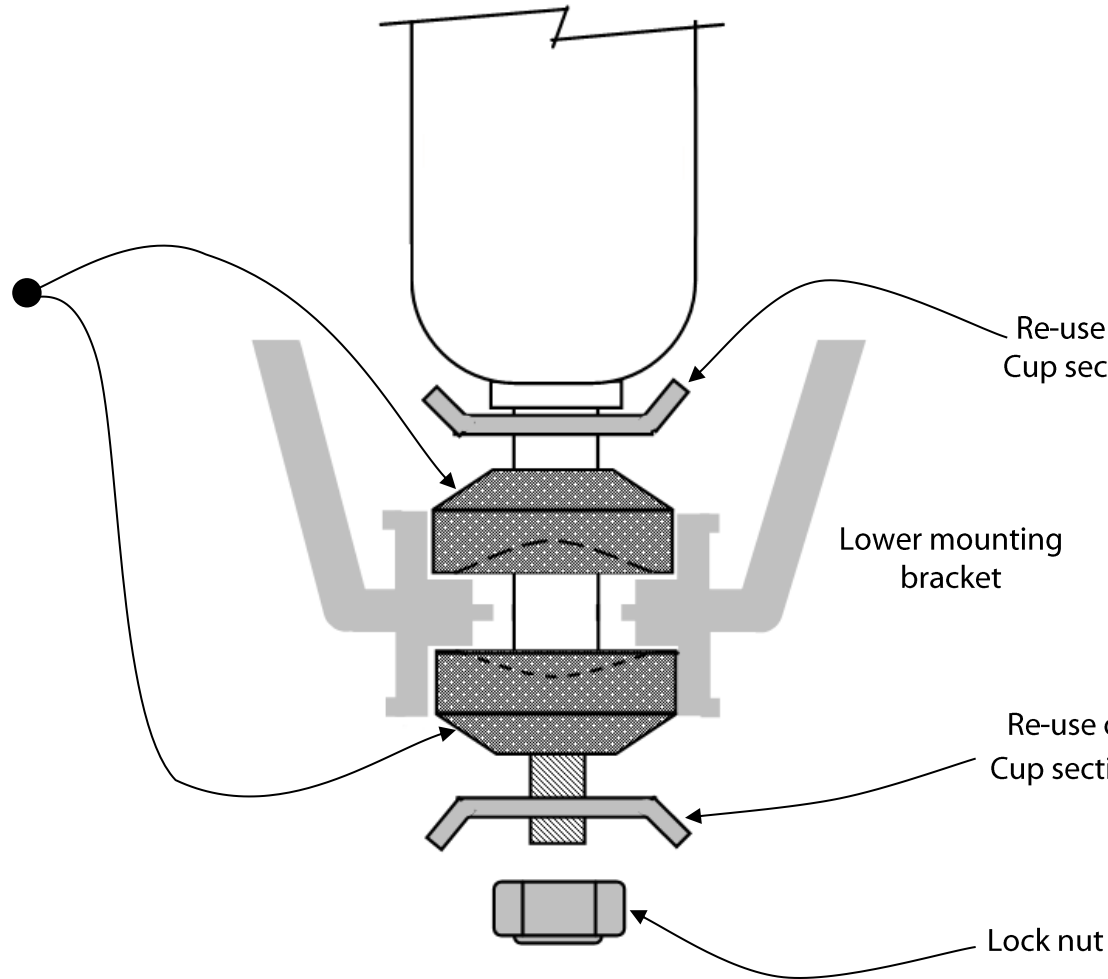
# Fitting Instructions #2656IS

Land Rover Discovery Series 1, Landrover Defender, Range Rover

## Shock Absorber Lower Bushing



Install new bushings #2656 with the large diameter end locating into the mounting bracket.



### **Special Note**

Re-use original top washer with Cup section facing away from the new bushing.

Re-use original bottom washer with Cup section facing away from the new bushing.