



VOLKSWAGEN CADDY VAN CARGO BARRIER INSTALLATION INSTRUCTION

Part # 707750

VEHICLE YEARS OF MANUFACTURE - FROM FEB. 2005



This cargo barrier is capable of being located in one position only, behind the 1st row of seats. The installation kit contains sufficient components for fitment to this location. A high degree of technical competence is necessary to correctly install this product.

We recommend this cargo barrier be installed by an authorised outlet to ensure the barrier installation complies with AS/NZS 4034 Standard.

The cargo barrier is designed, manufactured and fitted to decrease the impact hazard in an accident to occupants from cargo carried within the interior cargo space of the vehicle. In the event of an accident, a cargo barrier can reduce injuries caused by cargo intruding into occupant's space.

Installation time approximately 1 Hour



WARNINGS

- **Strict compliance with fitting instructions is essential for this safety product to meet its rated capacity. Refer user instructions regarding correct usage of the cargo barrier.**
- **Do not modify cargo barrier in any way.**
- **Do not use this cargo barrier in any other vehicle for which it is not designed.**
- **Modifications to the cargo barrier or its fixings or use in any other vehicle for which it is not designed may void the load rating and warranty.**
- **Do not attach the cargo barrier to the vehicle using seat, seat belt or child restraint anchorage's.**
- **Where high tensile threaded fasteners are used, the cargo barrier must be installed using the size and grade fasteners specified by Milford Industries.**
- **Do not drill, rivet, adhere or attach objects to the front or rear of the cargo barrier.**
- **Do not place smaller items, that may bypass the cargo barrier in the event of heavy braking or collision, near the edges of the barrier.**
- **Position the load against the cargo barrier.**
- **When load is positioned against cargo barrier, secure the load with a restraint system.**
- **During a collision moving cargo may damage seat belts or tether straps of a child restraint device, or its anchorage. Load should be carefully positioned so as not to come in contact with these items.**
- **Do not obstruct seat belts or child restraints, or their operation.**
- **Long thin items of cargo should be positioned in the vehicle with the long axis across the vehicle to minimise the penetration risk.**
- **If involved in an accident or accidentally damaged, the cargo barrier should be replaced and the anchorage's repaired to as new condition.**
- **Clean with soap and water only. Do not use solvents or chemicals. Discard cargo barrier if it becomes rusted. Do not expose to direct sunlight for long periods.**
- **It is extremely dangerous to ride in the cargo area of the vehicle behind the cargo barrier. It is recommended that the cargo barrier be removed. In a collision people or children riding unrestrained in these areas are more likely to be seriously injured or killed.**
- **Never leave a child in the vehicle unattended, particularly in the rear cargo area. The cargo area should never be used as a play area for children.**
- **The cargo barrier may deform and significantly intrude into occupant's space in an accident.**
- **Remember that the tailgate cannot be opened from inside the cargo area.**
- **The fixed labeling should not be removed from the cargo barrier.**
- **Failure to comply with warning notes may prevent the barrier protecting the occupants.**
- **Parents should explain to children how and when to use *EMERGENCY ESCAPE HAMMER* attached to cargo barrier.**
- **Do not remove the rating plaque from the cargo barrier.**



VOLKSWAGEN CADDY VAN CARGO BARRIER INSTALLATION INSTRUCTION

Part # 707750

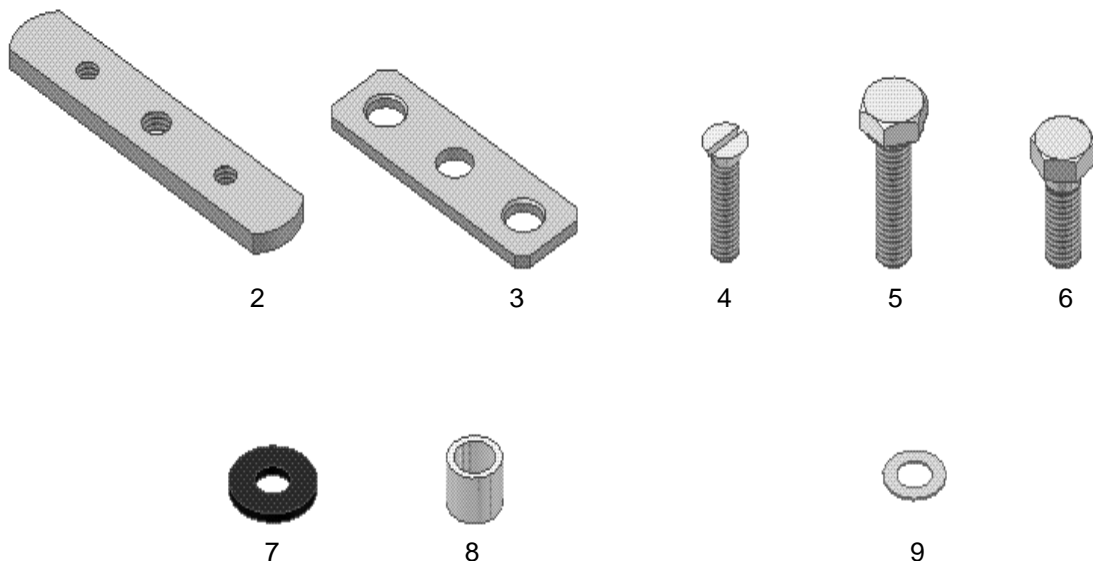
VEHICLE YEARS OF MANUFACTURE - FROM FEB. 2005



IMPORTANT: The installation kit contains sufficient components to fit the cargo barrier. A high degree of technical competence is necessary to correctly install this product. We recommend this cargo barrier be installed by an authorised outlet to ensure the barrier installation is correct. These instructions must be read and clearly understood before commencing installation. Check contents of kit before commencing fitment and report any discrepancies or damage.

Parts List

Item	Component Name	Part No.	Qty
1	Cargo Barrier Panel (Not Shown)	707750	1
2	Mounting Plate Long	754593	4
3	Metal Cover Plate	754235	4
4	$\frac{5}{16}$ " BSW x 1" CSK Screw	912000	8
5	M10 x 35mm Hex Head Screw	912075	2
6	M10 x 30mm Hex Head Screw	912395	2
7	Rubber Washer	904315	2
8	Tube Spacer \varnothing 16 x 12mm	754707	4
9	$\frac{3}{8}$ Crinkle Washer	932125	4
10	Rust Preventative Sealer (Not Shown)	906300	1
11	Installation tool—Long (Not Shown)	754749	1
12	Cleaning Pad—Isopropyl (Not Shown)	906302	1
13	Label—Orange Warning (Not Shown)	905017	1



E and OE—Errors and Omissions Excepted
Note: Head style of CSK screws (Item 4) may vary from that shown.



VOLKSWAGEN CADDY VAN CARGO BARRIER INSTALLATION INSTRUCTION

Part # 707750

VEHICLE YEARS OF MANUFACTURE - FROM FEB. 2005



ADVICE TO FITTER

Note: To fit the cargo barrier the following is essential:

- Always drill perpendicular to surface (Unless stated otherwise).
- A positive drill stop should always be used to prevent accidental damage to external panels, fuel lines etc.
- Ensure Safety Eye Protection and Gloves are worn as required when using cutting tools.
- When cutting metal panels be very careful of sharp edges, for risk of skin cuts etc.
- Care should be taken when applying Rust Preventative sealer to all holes drilled, to negate the possibility of skin and eye irritation.
- Check screws in relevant components by hand before installation. Should there be resistance re-tap threads and re-check.
- Before marking or drilling to install this cargo barrier, check vehicle for LPG conversion & non standard fuel tanks. Locate tanks and all lines attached and take EXTREME CARE not to damage whilst installing this cargo barrier.**
- Before drilling to install this cargo barrier, check for concealed wiring looms. E.g. tow bar, reversing camera, reversing sensor wiring etc.. Relocate before drilling to avoid damage.**

**CARE SHOULD BE TAKEN NOT TO CROSS THREAD THE FASTENERS DURING
INSTALLATION OF COMPONENTS TO THE VEHICLE.**

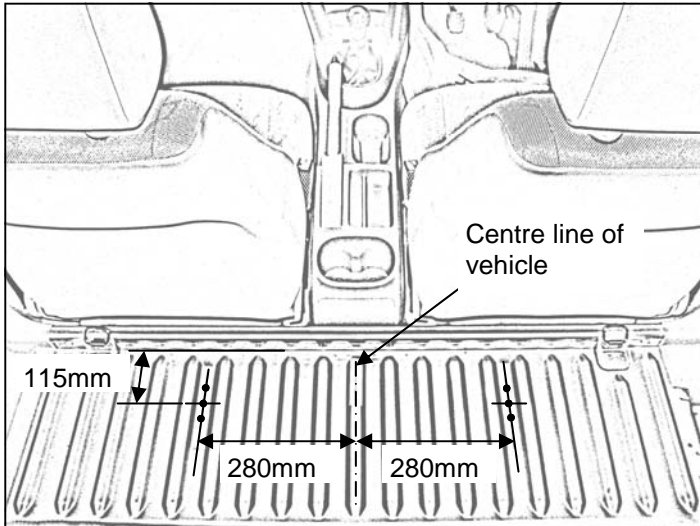
TOOLS REQUIRED

Socket wrench
Metric hex sockets
Hammer
Screwdrivers
Power Drill
Masking Tape
Marker
Steel Rule

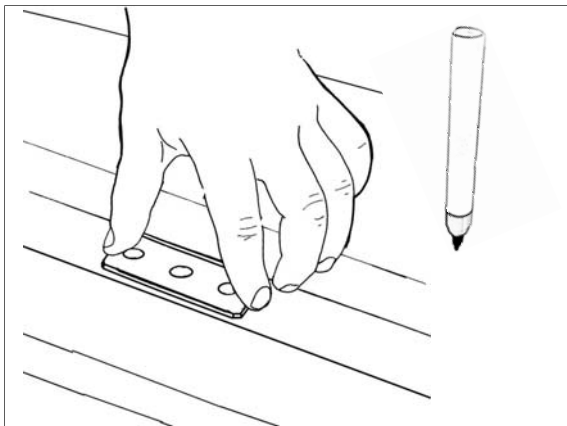
Centre Punch
5mm, 9mm, 12mm Drill Bits
Drill stop's
Hole De-Burring Tool
Rust Preventative Applicator
Vacuum Cleaner
Cover sheet / Drop sheet
20mm Wad Punch



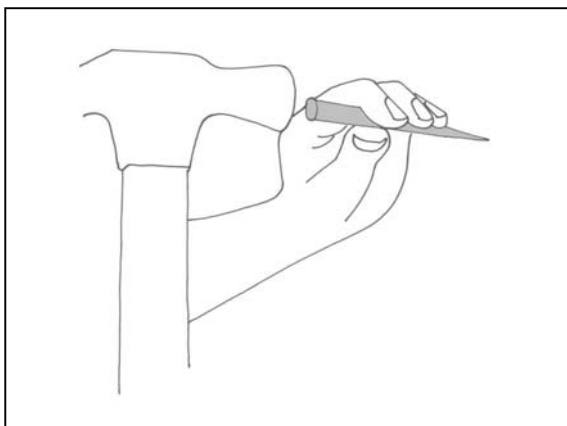
MARKING PROCEDURE FOR FLOOR MOUNTS



1. Establish centre line of vehicle on cargo floor directly behind seats.
2. If rubber floor mat is fitted pull back out of the way temporarily.
3. Measure from centre of floor outward 280mm in both directions.
4. From vertical front lip of floor panel measure rearward 115mm.
5. Where these points intersect is the centre hole location of mounting plates (Item 2).
6. Mark these points with felt pen.



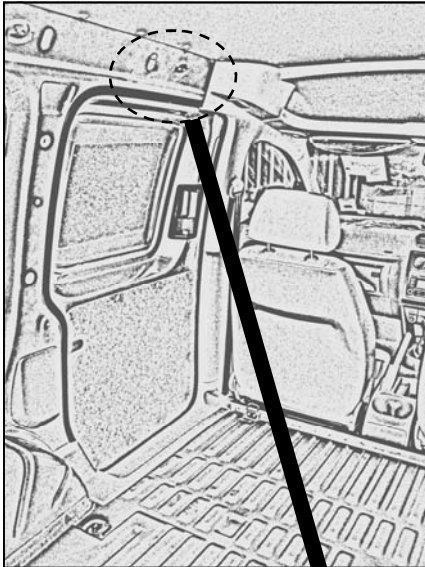
7. Using Cover Plate (Item 3) as a template, position centre hole over marked locations and mark outer holes as shown. (Cover plate should be parallel with ribs in floor and in the dips)



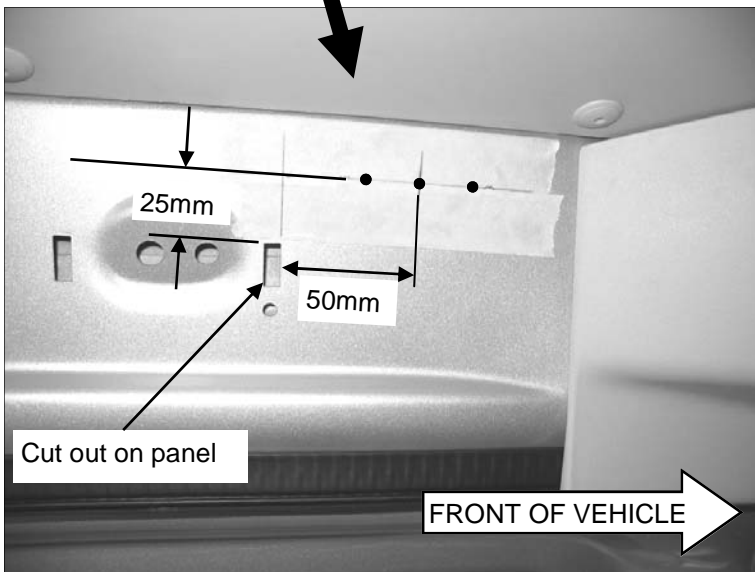
8. Centre punch all marked points.



MARKING PROCEDURE FOR ROOF MOUNTS

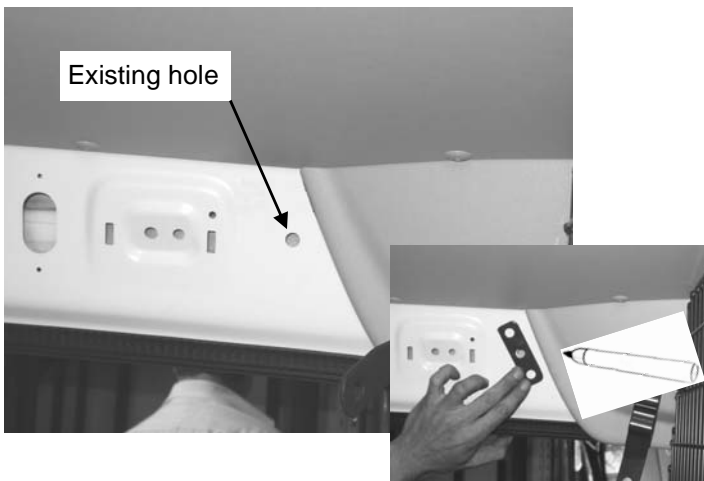


9. Locate area circled above sliding side door.



FOR CADDY SWB

10. Using forward and top edge of rectangular cut out in roof rail measure and mark centre hole location of mounting plate as shown.
11. Using mounting plate (Item 2) as a template, hold centre hole over marked location and mark outer holes as shown.
12. Repeat process on drivers side of vehicle.
13. Centre punch all marked hole locations.

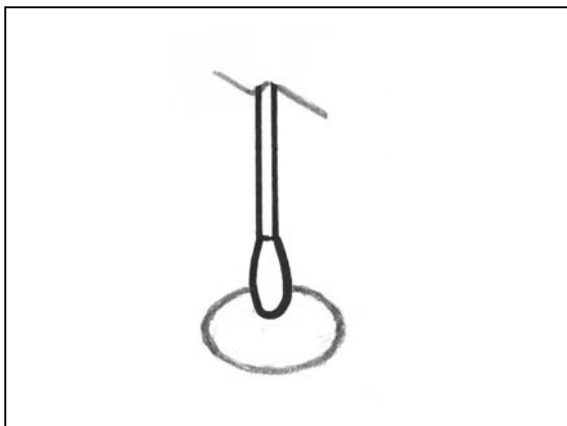
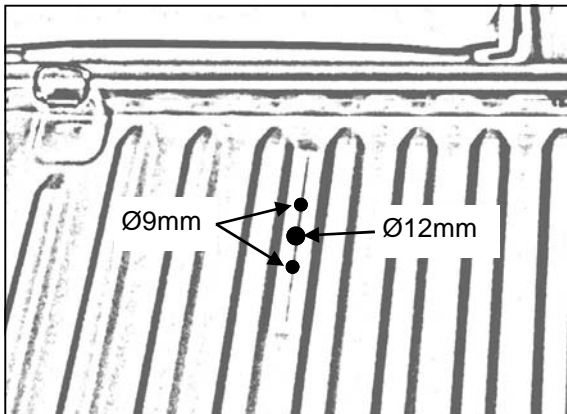
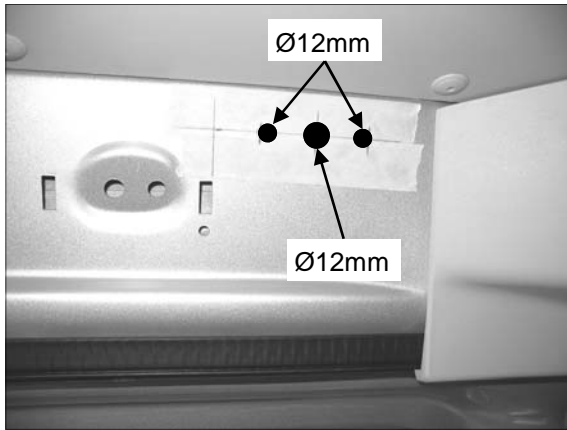


FOR CADDY MAXI

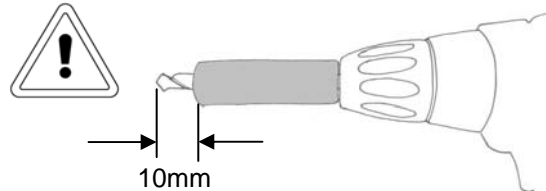
14. Locate the existing hole shown just behind hard plastic roof trim.
15. Using cover plate (Item 3) as a template, hold centre hole over existing hole in roof panel.
16. With plate held parallel to roof trim mark outer holes.
17. Repeat process on drivers side of vehicle.
18. Centre punch all marked hole locations.



DRILLING PROCEDURE FOR ALL MOUNTS



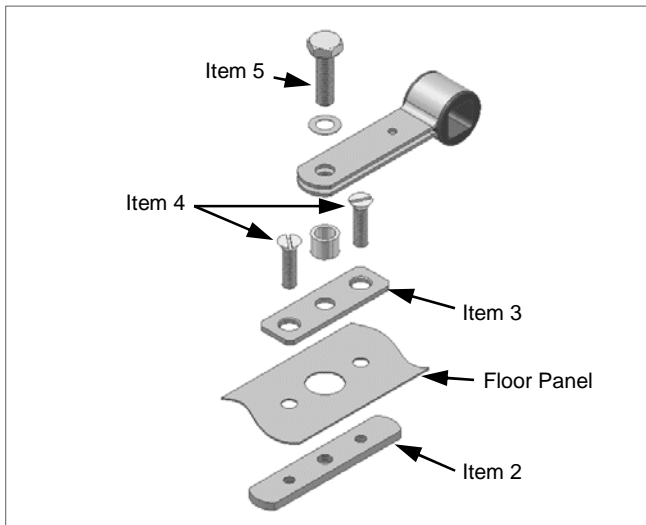
19. Using a Ø5mm drill bit, pilot drill all centre punched locations, through roof panels and metal floor.
 20. Enlarge all outer holes to Ø9mm.
 21. Enlarge all centre holes to Ø12mm.
- Use drill stop set at 10mm for all drilling operations.**



22. Vacuum all swarf from drilled holes and vehicle.
23. Apply rust preventative sealer (Item 10) to all drilled holes to prevent corrosion.

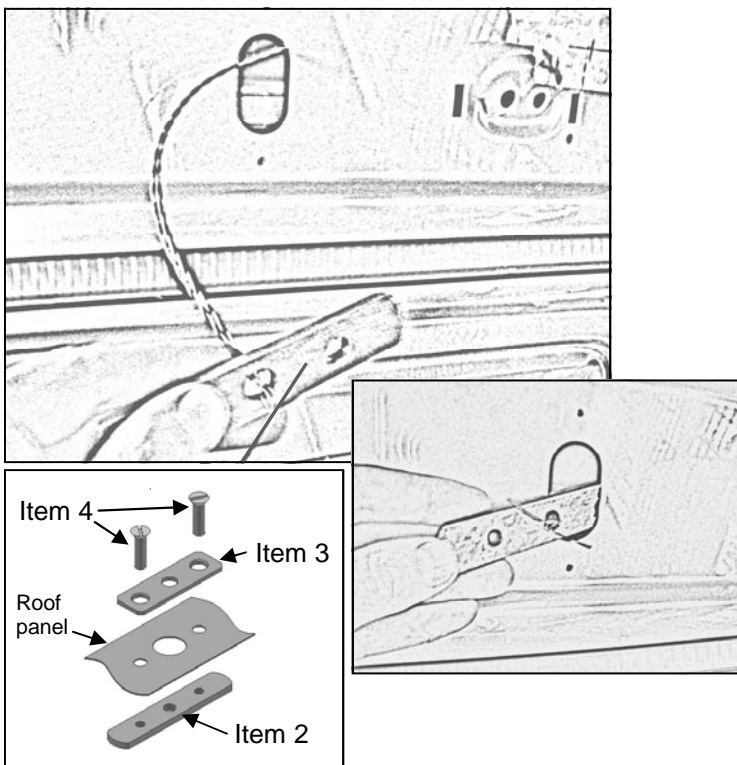


INSTALLATION PROCEDURE FOR FLOOR MOUNTS



24. Push both front seats fully forward on their sliders and tilt forward. Underside of floor panel can now be accessed from behind seats.
25. Hold mounting plate (Item 2) on underside of floor panel and align all holes with those in the floor.
26. Lay metal cover plate (Item 3) over holes on top side of floor, countersunk side up.
27. Secure mounting plate assembly with 5/16" x 1" CSK screws (Item 4).
28. Temporarily fit M10 x 35mm screw (Item 5) to centre of floor mount whilst tightening outer screws. Remove M10 screw.
29. Repeat on other side.
30. If rubber floor mat is fitted refit back into position.
31. Locate centre holes for each of the floor mounts on rubber mat and mark with felt pen.
32. Using Ø20mm Wad Punch cut clearance hole through rubber mat at each marked location.

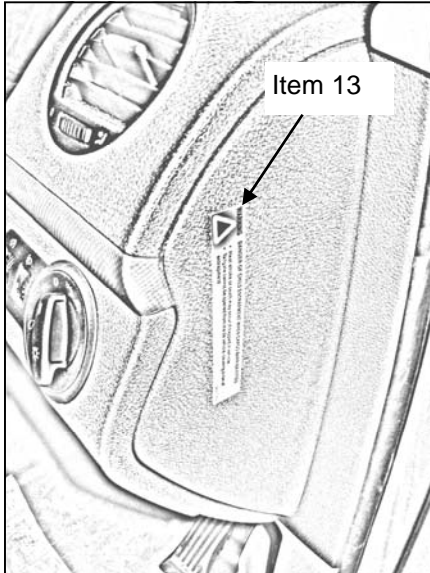
INSTALLATION PROCEDURE FOR ROOF MOUNTS



33. Insert installation tool (Item 11) through centre hole in mounting plate (Item 2).
34. Insert installation tool into large oval hole in roof rail panel as shown.
35. Feed wire along roof rail cavity until looped end of wire can be pulled through centre mounting hole.
36. Feed mounting plate through large oval hole and pull into position behind the drilled mounting holes.
37. Slide centre hole of cover plate over installation tool with countersunk side towards inside of vehicle.
38. With all holes aligned, secure mounting plate assembly with 5/16" x 1" CSK screws (Item 4).
39. Remove installation tool by pulling through mounting assembly. Reset ends for use on other side.
40. Temporarily fit M10 x 30mm screw (Item 6) to centre of top mount whilst tightening outer screws. Remove M10 screw.
41. Repeat on other side.

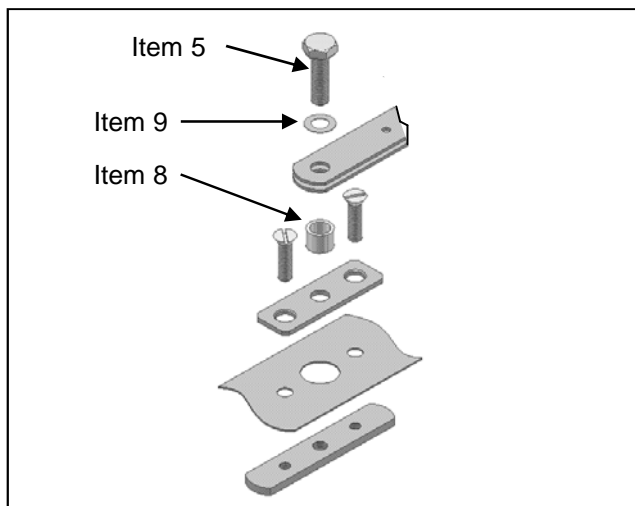
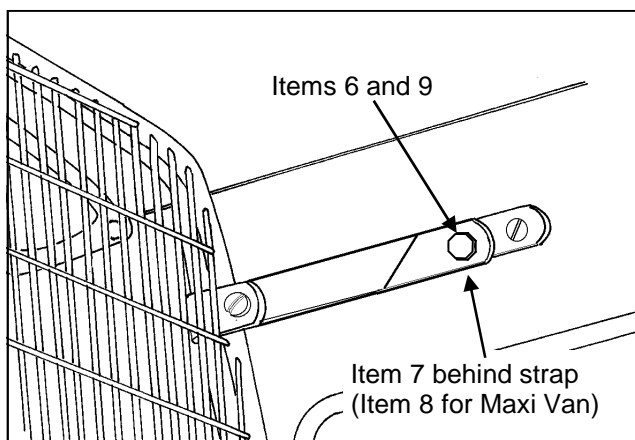


AFFIXING OF WARNING LABEL



42. Clean area inside drivers door opening as shown using cleaning pad (Item 12).
43. Allow to dry then affix orange warning label (Item 13) at that location as shown.

INSTALLATION OF CARGO BARRIER



1. Stand Cargo Barrier on cargo floor directly behind front seats. Capacity plaque should be at the top of barrier, facing the rear of the vehicle.
2. Attach the top straps to the mounts using M10 x 30mm Hex Head Screws (Item 6) with crinkle washers (Item 9) under heads and rubber washers (Item 7) between straps and roof mount.

Caddy Maxi— Place tube spacer (Item 8) in between strap & mount instead of rubber washer.

3. Attach the bottom brackets of the Cargo Barrier to floor mounts using the M10 x 35mm Hex Head Screws (Item 5), with crinkle washers (Item 9) under heads and tube spacers (Item 8) between bracket and mount cover plate.
4. Tighten all screws.



IMPORTANT NOTE: Check that all bolts and screws are tight and re check periodically.