



OFFTRACK NUDGE BAR

FITTING INSTRUCTIONS



TOYOTA HILUX REVO 2015-2017

PK101TH15

Fitting Time : approx. 1.5-2 hours

OFFTRACK NUDGE BAR TOYOTA HILUX REVO 2015-2017

SD-RD-FT/FB-08

Rev.01 (10-OCT-2019)



BULL BAR SAFETY NOTICE:

INSTALLATION SHOULD ONLY BE DONE BY APPROPRIATELY QUALIFIED OR EXPERIENCED PERSONS IN ACCORDANCE WITH THESE INSTRUCTIONS.

IT IS THE RESPONSIBILITY OF THE INSTALLER TO ENSURE THAT THE PRODUCT IS CORRECTLY FITTED.

WARNING:

Do not attach Vehicle Frontal Protection System (VFPS) to the vehicle using anchorages not intended for this purpose. (e.g. engine mounting bolts)

Do not use this product for any vehicle make or model, other than those specified by the VFPS manufacturer.

Do not remove the plaque or label from the VFPS.

Do not modify the structure of the VFPS in any way.

The VFPS has been produced to provide continued functionality of parking sensors and other "driver assist" features as closely as possible to Original Equipment. However, as all possible road conditions and combination of other accessories fitted to the vehicle which may affect functionality characteristics cannot be anticipated, ***the driver remains responsible at all times for properly controlling the vehicle, monitoring all "driver assist" features and intervening where required to ensure the vehicle is safely operated.***

IMPORTANT INFORMATION:

Before installing the VFPS:

Check that all components, as listed in the assembly table, are available.

Thoroughly read all instructions.

This product or its fasteners must not be modified in any way.

These instructions are accurate as at the revision date and do not take into account any changes made by the vehicle manufacturer to vehicle design after the revision date or other accessories that are or have been fitted to the vehicle. Piak cannot be held responsible for such changes and appropriate enquiries should be made before installation.

Before installing, inspecting and/or maintaining the VFPS, the work space should be safe and clear of fuel, debris, electrical or other components.

During installation:

It is the responsibility of the installer to confirm correct operation/clearance of all components

All holes drilled shall have all burrs and swarf removed then coated with a suitable rust preventative paint.

Ensure that all hardware is fastened to torque list as detailed in these instructions.



MAINTENANCE AND CARE:

To ensure continued safety and correct operation of the product, the VFPS must be routinely inspected and regularly serviced (including bolt torque checked for correct tension) by an appropriately qualified experienced person.

The high tensile fasteners supplied with this product were used to achieve the specified rating. If replacement of the fasteners is required, fasteners of the same rating and quality must be used.

If this VFPS is fitted with a hinged number plate bracket, extra care must be taken when returning back to public roads following the use of the winch or conducting a deep water crossing.

The driver must ensure that the number plate bracket is returned back to the down position allowing full visibility of the number plate when returning to public roads.

EQUIPMENT:

These safety products should, at a minimum, be used when fitting or working on the product.



Protective Glasses



Hearing Protection

Installation in accordance with these instructions and adherence to warnings will ensure compliance with relevant regulatory and safety standards as at the revision date.

Failure to adhere to these instructions may affect the roadworthiness of the vehicle or cause personal injury, death or damage to property.

BY USING THIS PRODUCT YOU ACKNOWLEDGE AND AGREE THAT TO THE EXTENT PERMITTED BY LAW PIAK WILL NOT ACCEPT LEGAL OR OTHER LIABILITY FOR ANY LOSS, INJURY OR DAMAGE CAUSED BY INCORRECT OR INAPPROPRIATE INSTALLATION OR USE OF THE PRODUCT.

TOOLS REQUIRED

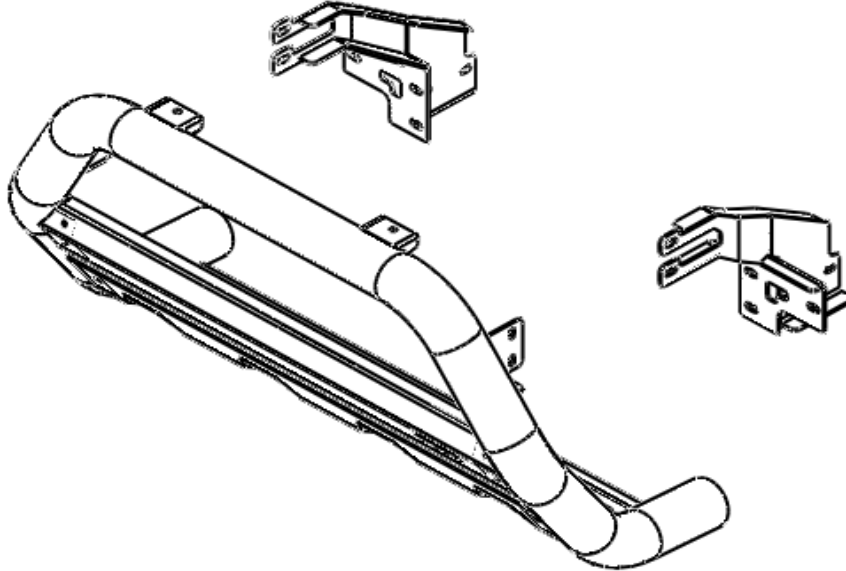
- | | |
|---------------------------|-------------------|
| 1. Torque , Socket wrench | 6. Adhesive Tape |
| 2. Screw driver | 7. Masking Tape |
| 3. Open spanner | 8. Jig saw |
| 4. Flexible plug socket | 9. Fine sandpaper |
| 5. Long offset wrench | |

PARTS LIST

⚠ Important : Check contents of fitting kit before commencing fitment and re port any discrepancies.

Front Nudge bar			
Item	Component Name	Q'ty	Remarks
1	Main Nudge bar Assy TH15	1	
Chassis Mounts to Vehicle			
Item	Component Name	Q'ty	Remarks
2	Chassis Mount LH	1	
3	Chassis Mount RH	1	
4	Spacer Tube $\varnothing 25 \times 55$ mm.	2	
5	Spacer Tube $\varnothing 16 \times 55$ mm.	2	
6	3 mm. Spacer	2	
7	Hex bolt M10 x 1.5 x L90	4	
8	Hex bolt M10 x 1.25 x L35	6	
9	M10 Flat washer OD26x2T	14	
10	M10 Spring washer	10	
11	Hex nut M10 x 1.5	4	
12	Flange nut M10 x 1.25	2	
Nudge Bar to Chassis Mount			
Item	Component Name	Q'ty	Remarks
13	Socket head M10x1.5xL35	4	
14	M10 Flat washer OD28x3T	8	
15	M10 Spring washer	4	
16	Flange nut M10x1.5	4	
License Plate Bracket			
Item	Component Name	Q'ty	Remarks
17	License Plate Bracket	1	
18	Hex bolt M6x1.0xL20	4	
19	Flange nut M6x1.0	4	
20	M6 Flat washer OD14	4	
21	M6 Spring washer	4	

COMPONENTS OVERVIEW



TORQUE SETTING OF FASTENER

Mounting bolts must be tightened to torque's specified following ;

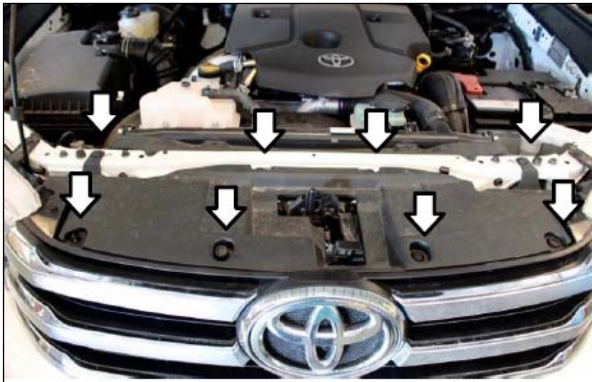
Bolt Diameter (mm.)	Torque (Nm)	Torque (ft.lb)
M6	9	7
M8	22	16
M10	44	32
M12	77	57

FITTING PROCEDURE



1 Vehicle before installation of bullbar.

2 Rest bullbar face down on a surface that will not scratch the bar. Remove the vehicle's grille prior to fitting other components.



3 Remove screws and clips securing the top of grille.

Retain for refitment and then remove OEM Plastic radiator cover attached to the top of grille.



4 Remove the plastic cover attached to the grille.

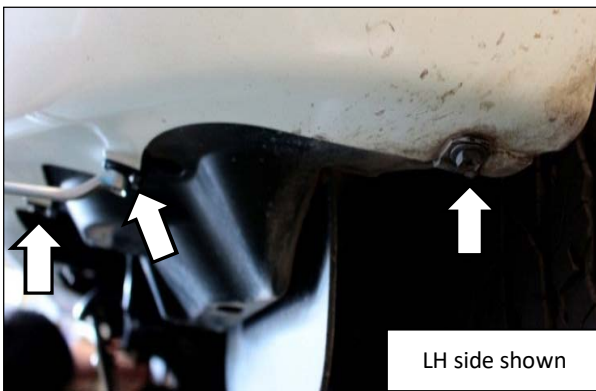


FITTING PROCEDURE



- 5** Remove the clips and screws retaining the outer edge of the bumper for re-fitment.

Repeat for the opposite side.



- 6** Remove the clips and screws retaining the lower edge of the bumper for re-fitment.



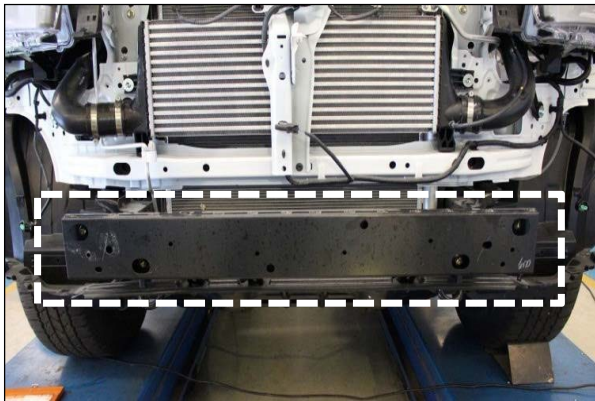
- 7** Remove the bumper from the plastic clip inner fender either side of the vehicle.



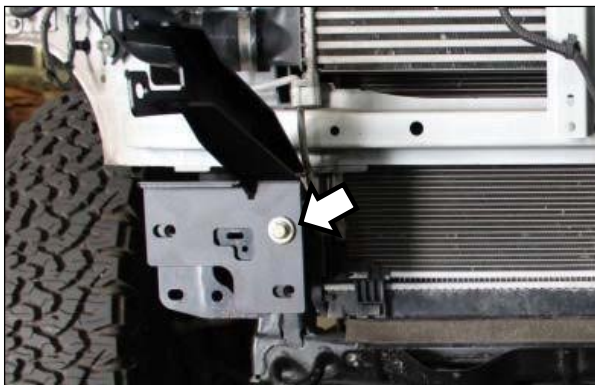
- 8** Remove and keep the upper air guides from both sides of the vehicle.

Repeat for the opposite side.

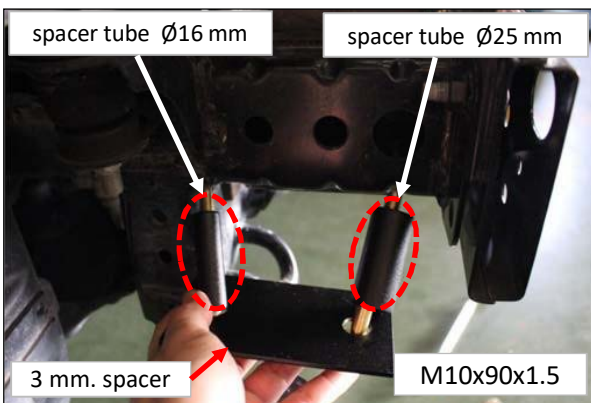
FITTING PROCEDURE



- 9** Remove and discard the front intrusion beam



- 10** Place LH Chassis Mount onto the Vehicle chassis Secure with M10 bolt (M10x35x1.25), spring washer, flat washer and flange nut as shown and fully tighten.



- 11** Place two M10 bolts (M10x90x1.5), spring washers and flat washers to 4 mm. spacer and place \varnothing 16 mm. spacer tube and \varnothing 25 mm. space tube to the bolts

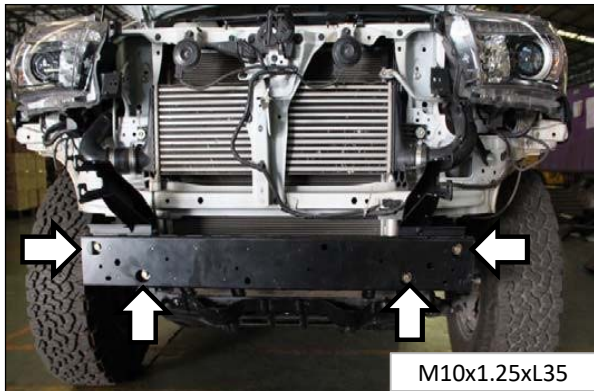
- 12** Place all to the chassis of vehicle and mounting bracket.



- 13** Secure with two M10 flat washers and hex nuts and fully tighten.

Repeat for the opposite side.

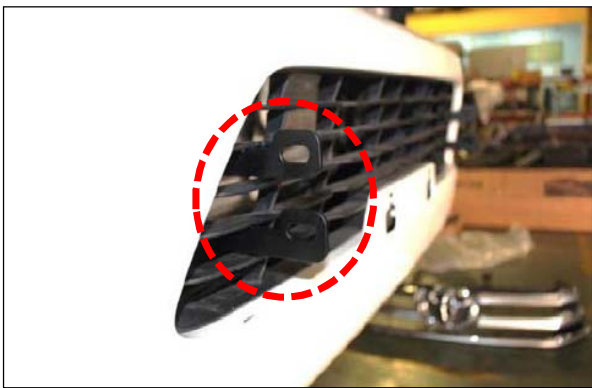
FITTING PROCEDURE



- 14** Re-fit the front intrusion beam by using four M10 bolts (M10x35x1.25), spring washer and flat washers as shown.



- 15** Re-fit the upper air guides to either sides of the vehicle as shown.

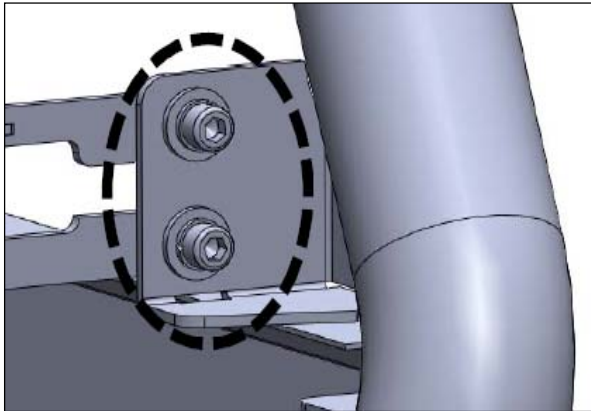


- 16** Re-install the front bumper and place the chassis mount through the grill as shown.



- 17** Lift the Nudge bar fit to the chassis mount.

FITTING PROCEDURE



- 18** Align the Nudge Bar to the desired position, and fully tighten the Chassis Mounting Bolts. by using four M10 Socket Cap Screw (M10x1.5x35), spring washers, flat washers and flange nuts.

Repeat for the opposite side.

PIAK NUDE BAR NOW FULLY INSTALLED



FASTENERS • Check fastener tightness regularly and tighten if required. We recommend checking fasteners after every large off-road trip.