



TOYOTA RAV 4 SUV CARGO BARRIER INSTALLATION INSTRUCTION Part # 610000

VEHICLE YEARS OF MANUFACTURE - FROM DECEMBER 2018
(Rear position only in Moonroof vehicles)



This cargo barrier is capable of being located in two positions*, behind the 2nd row of seats with the seats in an upright position, and behind the 1st row of seats** with the 2nd row of seats in their folded position. The installation kit contains sufficient components for fitment to the rear position only. A high degree of technical competence is necessary to correctly install this product.

We recommend this cargo barrier be installed by an authorised outlet to ensure the barrier installation complies with AS/NZS 4034 Standard.

The cargo barrier is designed, manufactured and fitted to decrease the impact hazard in an accident to occupants from cargo carried within the interior cargo space of the vehicle. In the event of an accident, a cargo barrier can reduce injuries caused by cargo intruding into occupant's space.

***Optional front position kit, part number 610002 is required to be able to install the cargo barrier in the behind 1st row seat position.**

****Barrier cannot be installed in front position in 'Moonroof' fitted vehicles.**

Installation time approximately 0.75 Hours

"The estimated fitting time is based on an experienced fitter conversant with the fitment procedure"



WARNINGS

- **Strict compliance with fitting instructions is essential for this safety product to meet its rated capacity. Refer user instructions regarding correct usage of the cargo barrier.**
- **Do not modify cargo barrier in any way.**
- **Do not use this cargo barrier in any other vehicle for which it is not designed.**
- **Modifications to the cargo barrier or its fixings or use in any other vehicle for which it is not designed may void the load rating and warranty.**
- **Do not attach the cargo barrier to the vehicle using seat, seat belt or child restraint anchorage's.**
- **Where high tensile threaded fasteners are used, the cargo barrier must be installed using the size and grade fasteners specified by Milford Industries.**
- **Do not drill, rivet, adhere or attach objects to the front or rear of the cargo barrier.**
- **Do not place smaller items, that may bypass the cargo barrier in the event of heavy braking or collision, near the edges of the barrier.**
- **Position the load against the cargo barrier.**
- **When load is positioned against cargo barrier, secure the load with a restraint system.**
- **During a collision moving cargo may damage seat belts or tether straps of a child restraint device, or its anchorage. Load should be carefully positioned so as not to come in contact with these items.**
- **Do not obstruct seat belts or child restraints, or their operation.**
- **Long thin items of cargo should be positioned in the vehicle with the long axis across the vehicle to minimise the penetration risk.**
- **If involved in an accident or accidentally damaged, the cargo barrier should be replaced and the anchorage's repaired to as new condition.**
- **Clean with soap and water only. Do not use solvents or chemicals. Discard cargo barrier if it becomes rusted. Do not expose to direct sunlight for long periods.**
- **It is extremely dangerous to ride in the cargo area of the vehicle behind the cargo barrier. It is recommended that the cargo barrier be removed. In a collision people or children riding unrestrained in these areas are more likely to be seriously injured or killed.**
- **Never leave a child in the vehicle unattended, particularly in the rear cargo area. The cargo area should never be used as a play area for children.**
- **The cargo barrier may deform and significantly intrude into occupant's space in an accident.**
- **Remember that the tailgate cannot be opened from inside the cargo area.**
- **The fixed labeling should not be removed from the cargo barrier.**
- **Failure to comply with warning notes may prevent the barrier protecting the occupants.**
- **Parents should explain to children how and when to use *EMERGENCY ESCAPE HAMMER* attached to cargo barrier.**
- **Do not remove the rating plaque from the cargo barrier.**

NOTICE TO INSTALLERS & DISTRIBUTORS

Please ensure User Instructions are left with vehicle owner after installation.



TOYOTA RAV 4 SUV CARGO BARRIER INSTALLATION INSTRUCTION Part # 610000

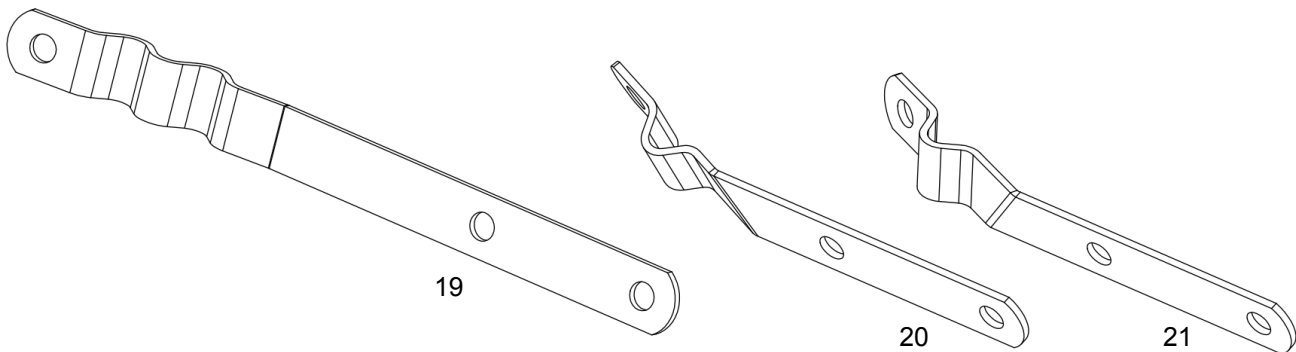
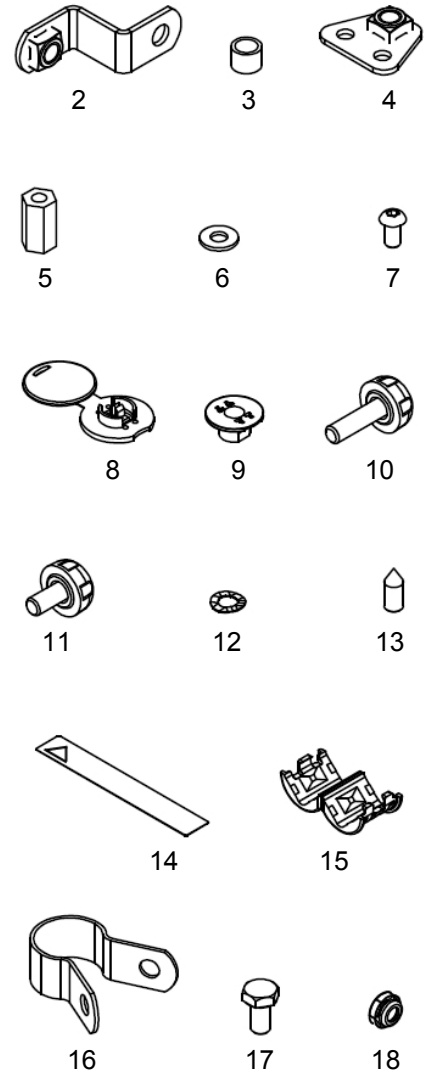


VEHICLE YEARS OF MANUFACTURE - FROM DECEMBER 2018
(Rear position only in Moonroof vehicles)

IMPORTANT: The installation kit contains sufficient components to fit the cargo barrier. A high degree of technical competence is necessary to correctly install this product. We recommend this cargo barrier be installed by an authorised outlet to ensure the barrier installation is correct. These instructions must be read and clearly understood before commencing installation. Check contents of kit before commencing fitment and report any discrepancies or damage.

Parts List

Item	Component Name	Part No.	Qty
1	Cargo Barrier ASM (see page 10)	610000	1
2	Bottom Bracket ASM	753123	2
3	Tube Spacer - Ø16mm x 12mm ZP	754707	2
4	Roof Bracket ASM	753411	2
5	Threaded Hex Spacer—M8 x 1.25 x 35mm ZP	753038	4
6	Washer - Flat 8mm ZP	932280	4
7	Screw - Button Head, M8 x 1.25 x 16mm ZP	913140	4
8	Trim Garnish - Base with Lid	753075	2
9	Trim Garnish - Insert	753076	2
10	Milbolt - M10 x 1.5 x 34mm	912835	2
11	Milbolt - M10 x 1.5 x 19mm	912820	2
12	Wave Washer - M10 ZP	932125	4
13	Marking Pin - M10 x 25mm	906185	1
14	Adhesive Warning Label (orange)	905017	1
15	Bush - Pivot Saddle	752680	4
16	Pivot Saddle	752700	4
17	Screw - Hex Head, M10 x 1.5 x 20mm ZP	912205	4
18	Hex Nut - Nyloc, M10 x 1.5 ZP	922090	4
19	Strap - Top LHS & RHS	776816	2
20	Strap - Bottom LHS	776058	1
21	Strap - Bottom RHS	776059	1



E and OE—Errors and Omissions Excepted



TOYOTA RAV 4 SUV CARGO BARRIER INSTALLATION INSTRUCTION Part # 610000

VEHICLE YEARS OF MANUFACTURE - FROM DECEMBER 2018
(Rear position only in Moonroof vehicles)



ADVICE TO FITTER

Note: To fit the cargo barrier the following is essential: (where applicable)

- Always drill perpendicular to surface (Unless stated otherwise).
- A positive drill stop should always be used to prevent accidental damage to external panels, fuel lines etc.
- Ensure Safety Eye Protection and Gloves are worn as required when using cutting tools.
- When cutting metal panels be very careful of sharp edges, for risk of skin cuts etc.
- Care should be taken when applying Rust Preventative sealer to all holes drilled, to negate the possibility of skin and eye irritation.
- Check screws in relevant components by hand before installation. Should there be resistance re-tap threads and re-check.
- Before marking or drilling to install this cargo barrier, check vehicle for LPG conversion & non standard fuel tanks. Locate tanks and all lines attached and take EXTREME CARE not to damage whilst installing this cargo barrier.**
- Before drilling to install this cargo barrier, check for concealed wiring looms. E.g. tow bar, reversing camera, reversing sensor wiring etc.. Relocate before drilling to avoid damage.**

**CARE SHOULD BE TAKEN NOT TO CROSS THREAD THE FASTENERS DURING
INSTALLATION OF COMPONENTS TO THE VEHICLE.**

TOOLS REQUIRED

- | | |
|---|--|
| <input type="checkbox"/> Socket wrench | <input type="checkbox"/> Drill Stop |
| <input type="checkbox"/> Metric hex sockets | <input type="checkbox"/> 20mm Vinyl Cutter |
| <input type="checkbox"/> Metric spanners | <input type="checkbox"/> 5mm Hex Drive Bit |
| <input type="checkbox"/> Shifting Spanner | <input type="checkbox"/> Hex Drive to Wrench Adaptor |
| <input type="checkbox"/> Trim removal tools | <input type="checkbox"/> Vacuum Cleaner |
| <input type="checkbox"/> Screwdrivers | <input type="checkbox"/> Cover sheet / Drop sheet |
| <input type="checkbox"/> Power Drill | <input type="checkbox"/> Torque Wrench 22Nm/50Nm |
| <input type="checkbox"/> Masking Tape | <input type="checkbox"/> Spacer Block |
| <input type="checkbox"/> Marker | <input type="checkbox"/> Clean Rag |
| <input type="checkbox"/> 5mm Drill Bit | |



TOYOTA RAV 4 SUV CARGO BARRIER INSTALLATION INSTRUCTION Part # 610000

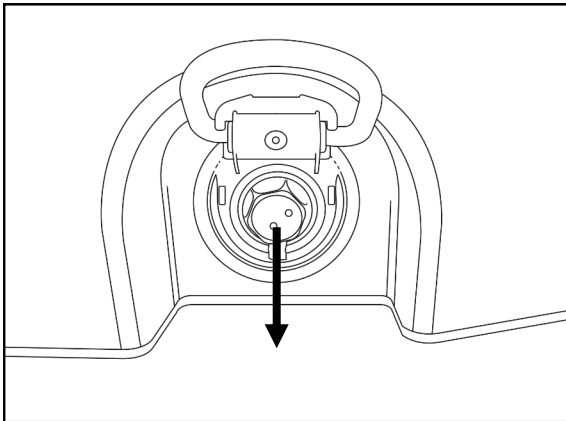
VEHICLE YEARS OF MANUFACTURE - FROM DECEMBER 2018
(Rear position only in Moonroof vehicles)



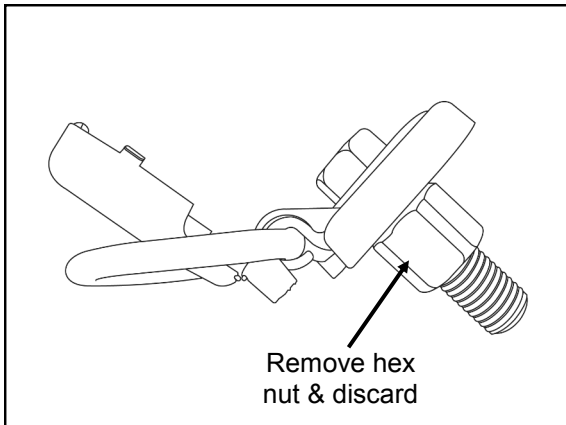
INSTALLATION PROCEDURE FOR BOTTOM MOUNTS



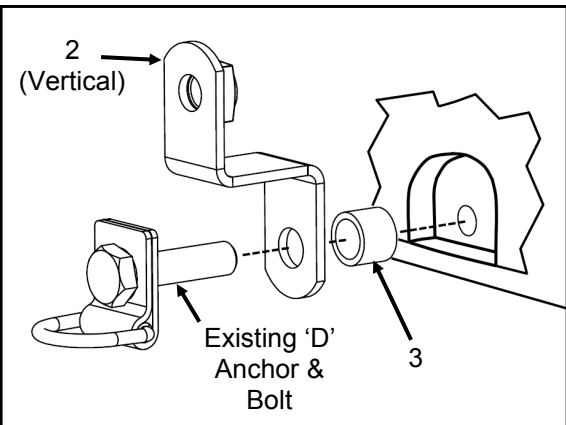
1. Remove the cargo area cargo blind & cargo net if fitted.
2. Identify the area which you will be working in. 'D' anchors located in cargo area wheel arches.



3. Unclip the bolt covers for the 'D' anchors located in the wheel arches.
4. Using a 14mm AF socket & wrench, remove the 'D' anchors.



5. Unscrew the hex nut located on the back of the 'D' anchors and discard. Nut will be replaced with a tube spacer from the kit.



6. Place a bottom bracket ASM (2) over the 'D' anchor bolts as shown.
7. Place a tube spacer (3) over the 'D' anchor bolts then resecure the assemblies back in place.

- Note:** The bottom bracket should sit vertical when the bolt is tightened.
9. Tighten & torque up the bolts to 50Nm.



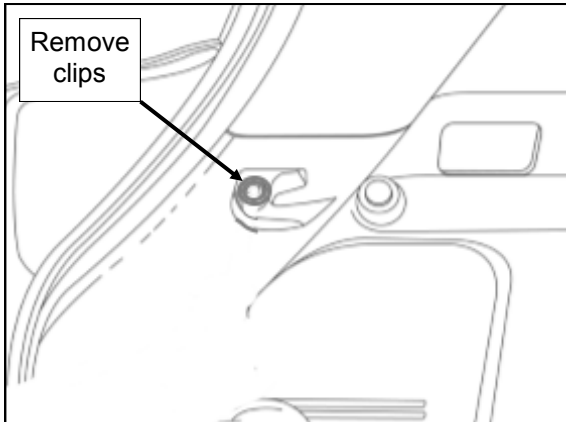


TOYOTA RAV 4 SUV CARGO BARRIER INSTALLATION INSTRUCTION Part # 610000

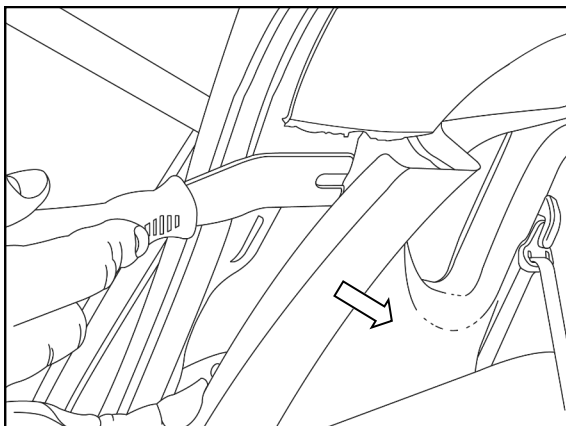
VEHICLE YEARS OF MANUFACTURE - FROM DECEMBER 2018
(Rear position only in Moonroof vehicles)



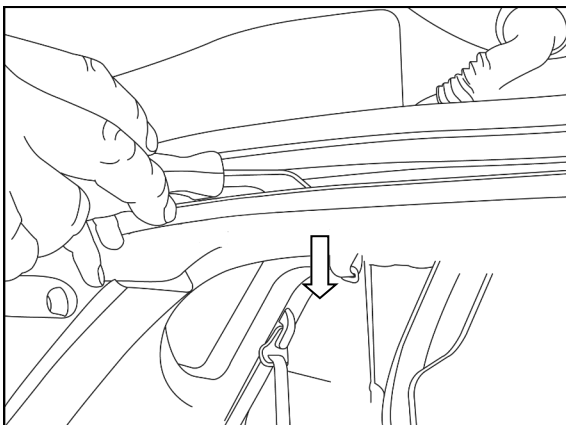
INSTALLATION PROCEDURE FOR ROOF MOUNTS



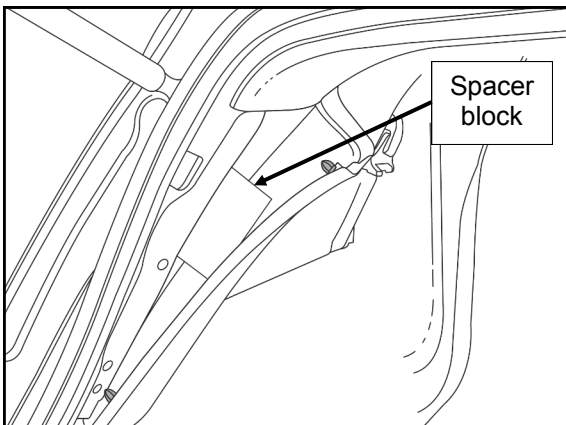
10. Place a drop sheet over the cargo area floor to protect trim.
11. At the sides of the tailgate opening remove the clips securing the lower trims in place at the cargo blind, hook points. (1 each side)



12. Using a suitable trim removal tool unclip the rear pillar trim tops as far forward as the rear windows.



13. Using a suitable trim removal tool remove the 3 trim clips securing the back edge of the roof lining in place.



14. Place a spacer block or similar behind the rear pillar trims as shown.



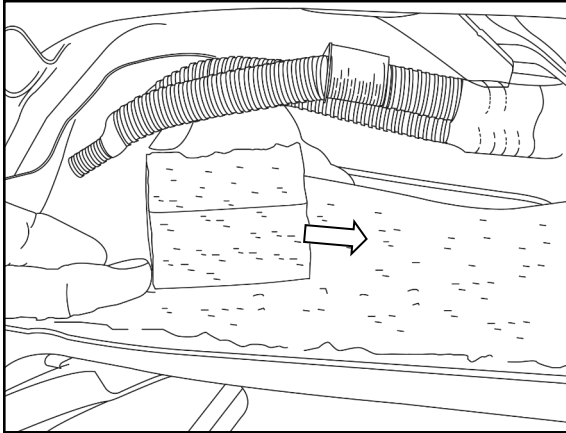
TOYOTA RAV 4 SUV CARGO BARRIER INSTALLATION INSTRUCTION

Part # 610000

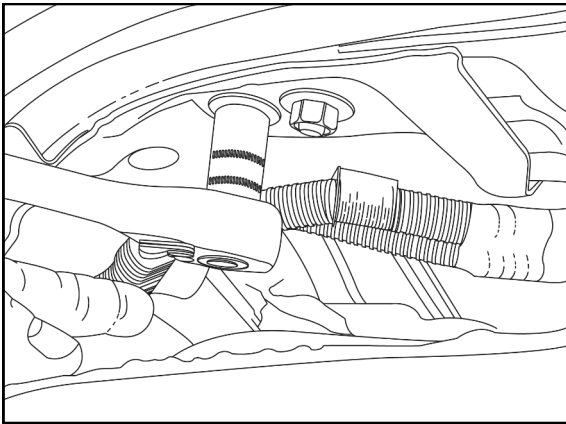
VEHICLE YEARS OF MANUFACTURE - FROM DECEMBER 2018
(Rear position only in Moonroof vehicles)



INSTALLATION PROCEDURE FOR ROOF MOUNTS - Cont'd.



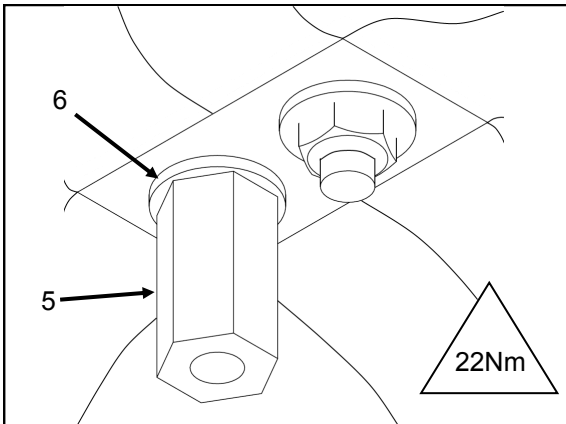
15. Carefully pull the back edge of the roof lining down as shown.
16. If a foam block is in the location of the tailgate hinge nuts, relocate to one side.



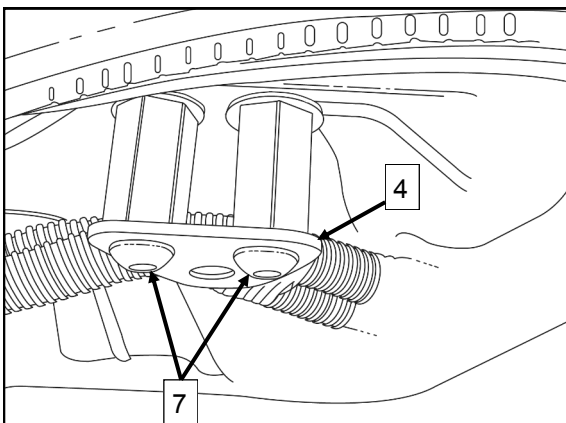
17. Working on one tailgate hinge nut at a time remove a nut. (Nut will not be replaced and should be discarded)



Warning: Do not remove more than one nut at a time or movement of the tailgate may result.



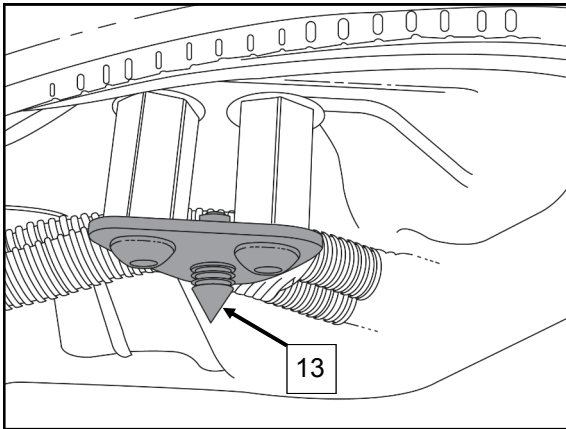
18. Place a flat washer (6) over the vacant hinge stud.
19. Screw a threaded hex spacer (5) onto stud then tighten & torque up to 22Nm.
20. Repeat steps 17 to 19 for the other 3 hinge studs working on one nut at a time.



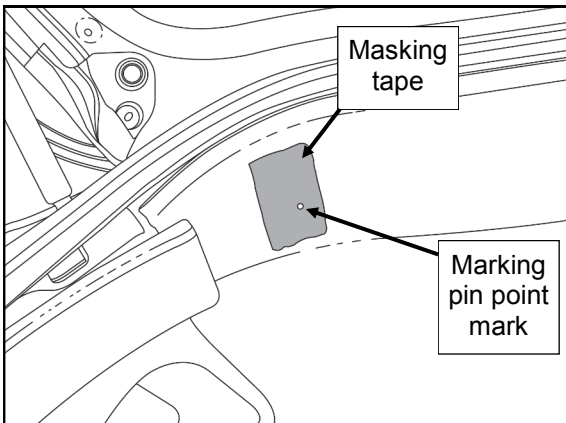
21. Position a roof bracket (4) over the threaded hex spacers with the captive nut on top and towards the front of the vehicle.
22. Secure the roof bracket to the threaded spacers using M8 button head screws (7).
23. Tighten & torque up screws to 22Nm.
24. Repeat on the other side.



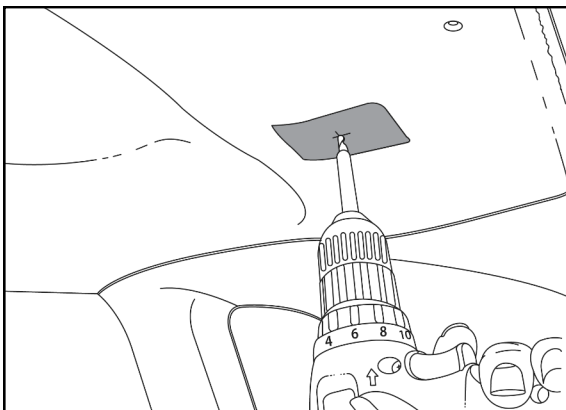
INSTALLATION OF THE ROOF MOUNT TRIM PLUGS



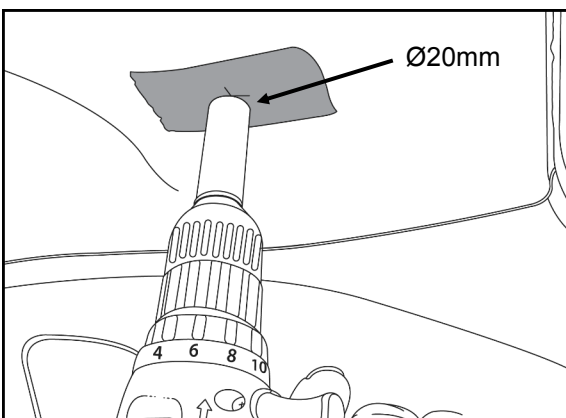
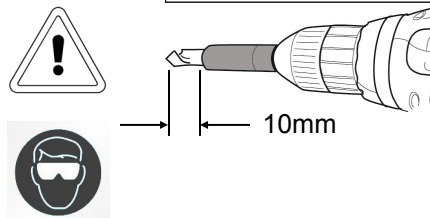
25. Screw a marking pin (13) into one of the roof brackets with approx. 8mm protruding.



26. On the cabin side of the roof lining affix masking tape opposite the marking pin in roof bracket.
 27. Apply pressure to the roof lining until the point of the marking pin can be seen on the cabin side of the roof lining. Mark this location if necessary.
 28. Relocate marking pin to other bracket then repeat procedure.



29. At the marked locations from steps 27/28 carefully drill a pilot hole through the roof lining. (Use of a drill stop set at 10mm is recommended)



30. Using a Ø20mm vinyl cutter enlarge the pilot holes through the roof lining.
 31. Remove masking tape.

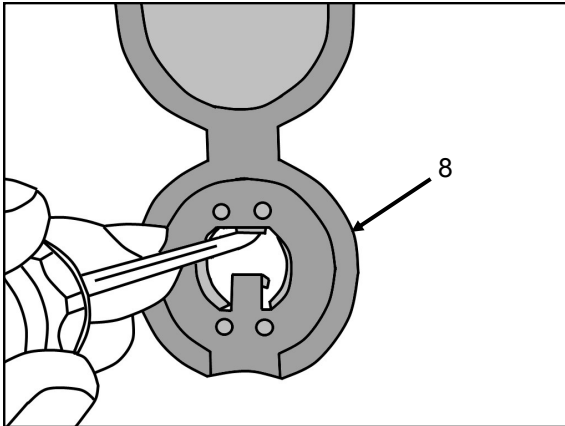


TOYOTA RAV 4 SUV CARGO BARRIER INSTALLATION INSTRUCTION Part # 610000

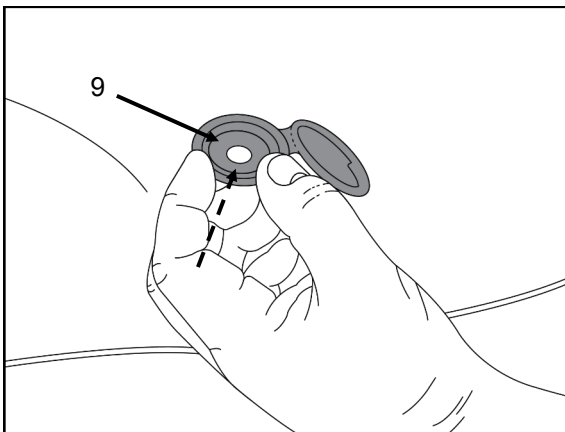
VEHICLE YEARS OF MANUFACTURE - FROM DECEMBER 2018
(Rear position only in Moonroof vehicles)



INSTALLATION OF THE ROOF MOUNT TRIM PLUGS - Cont'd.

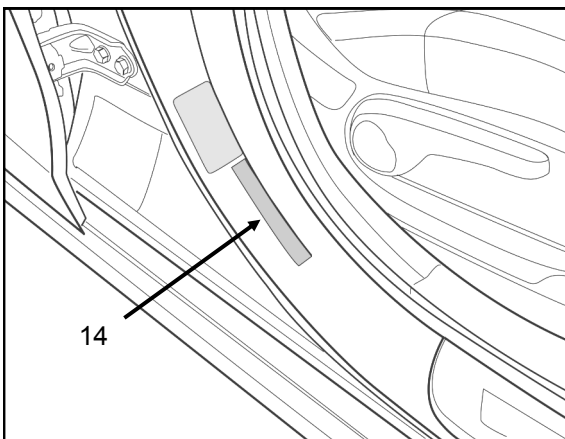


32. Push a trim garnish (8) into the cut hole in roof lining with the lid facing forwards.
33. Using a small screwdriver push the securing legs outwards behind the roof lining.



34. With trim garnish securing legs pushed outwards, insert the garnish spacer (9) into the centre. Push the spacer until it clips in place.
35. Repeat steps 32 to 34 on other side.
36. Replace the 3 trim clips to secure roof lining back in place.
37. Secure the rear 1/4 trims back in place.
38. Replace clips securing lower trims in place.
39. Reset rubber rear door seal.

AFFIX WARNING LABEL



40. In the opening of the drivers door clean the area shown.
41. Affix warning label (14) at this location.

Please ensure User Instructions are left with vehicle owner after installation.



TOYOTA RAV 4 SUV CARGO BARRIER INSTALLATION INSTRUCTION

Part # 610000

VEHICLE YEARS OF MANUFACTURE - FROM DECEMBER 2018
(Rear position only in Moonroof vehicles)



ASSEMBLE STRAPS TO CARGO BARRIER

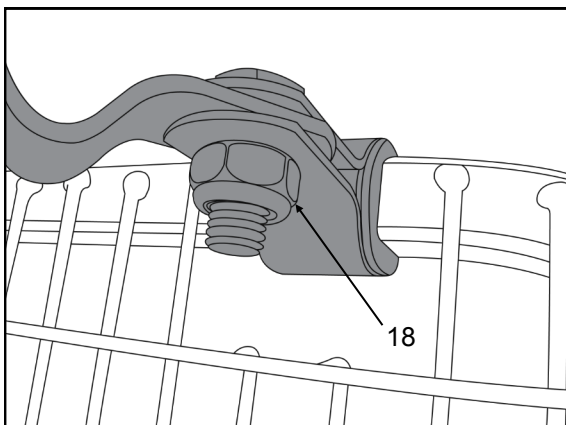
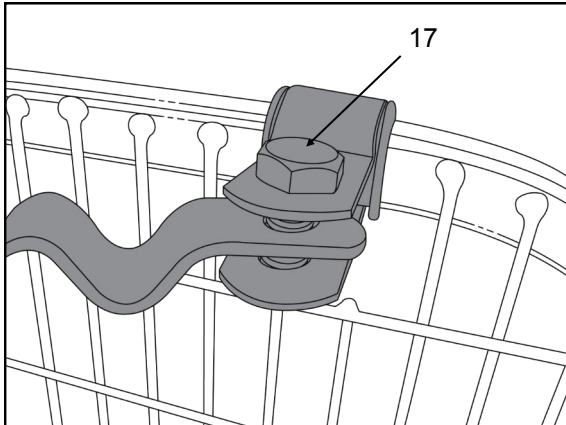
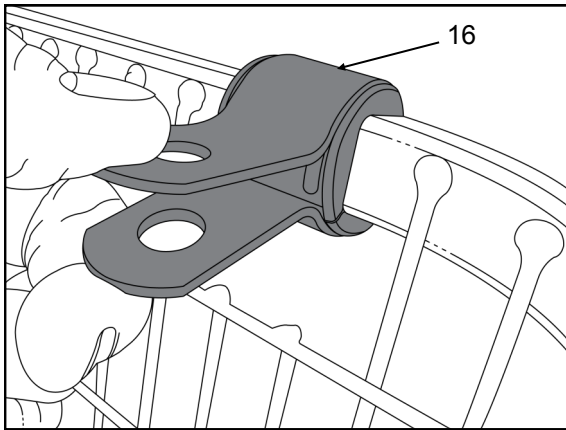
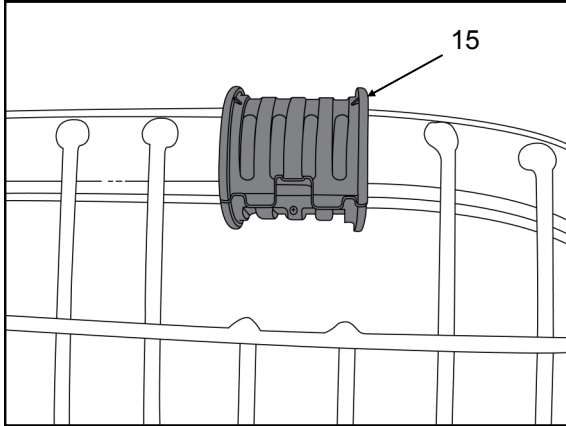
Note: Refer to page 10 for detail of correct strap locations and orientation.

42. At each of the cut outs in the mesh on the perimeter at the top sides of the cargo barrier, place a pivot saddle bush (15) as shown.

43. Place a pivot saddle (16) over each of the pivot saddle bushes then push the ends together.

44. Place the correct strap in between the pivot saddle ends then place a hex screw (17) through the saddle and strap.

45. Place a nyloc hex nut (18) onto each of the hex screws then tighten until the strap is firm in saddle but can still be pivoted.





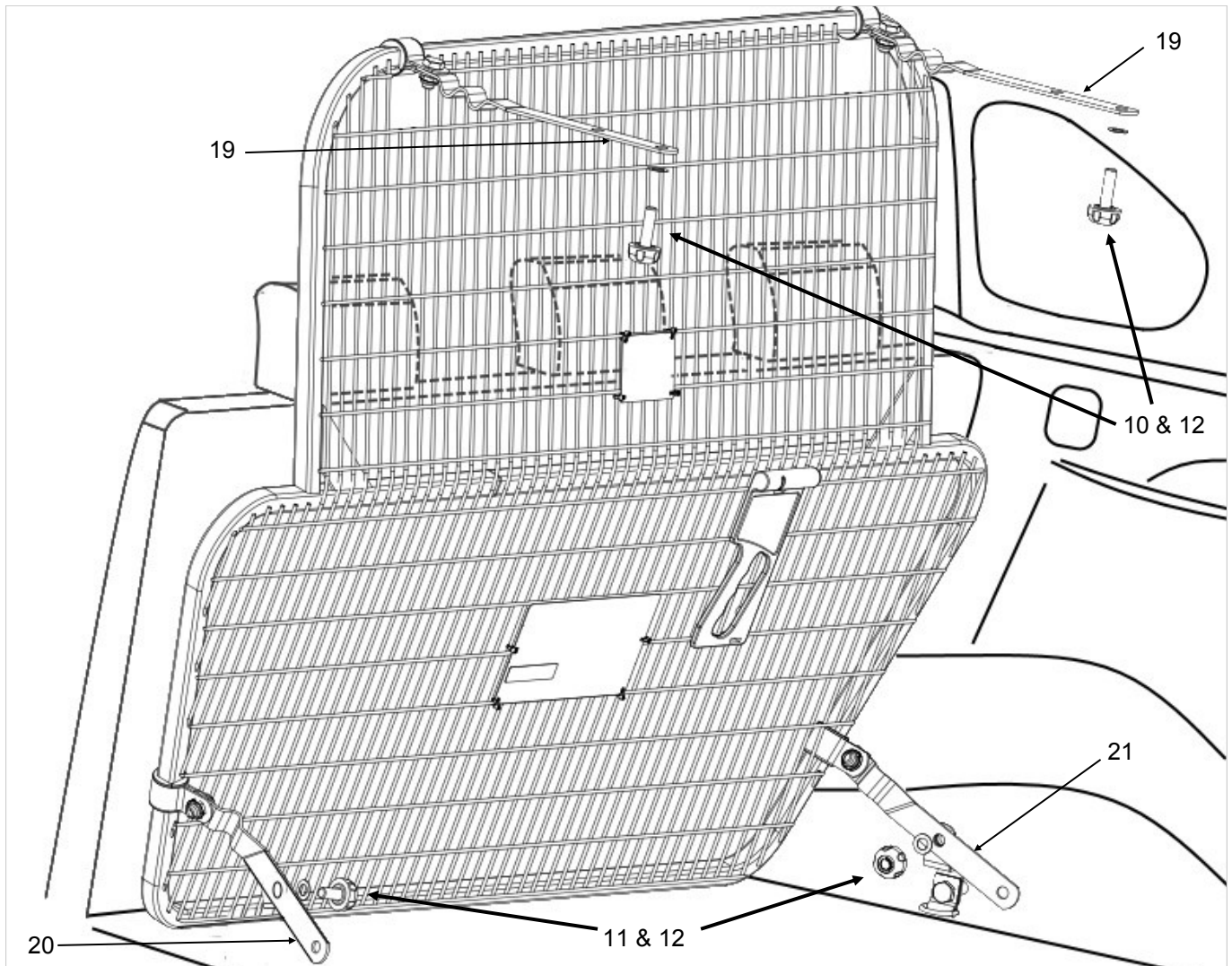
TOYOTA RAV 4 SUV CARGO BARRIER INSTALLATION INSTRUCTION Part # 610000

VEHICLE YEARS OF MANUFACTURE - FROM DECEMBER 2018
(Rear position only in Moonroof vehicles)



INSTALLATION OF CARGO BARRIER 'Behind 2nd row of seats'

- Remove the cargo blind if fitted.
- Ensure the 2nd row seats are latched in their first lock position to allow cargo barrier clearance.
- Place the Cargo Barrier in the vehicle directly behind the 2nd row seats with the rating label (meshed side of barrier) facing towards rear of the vehicle.
- Attach the top straps to the upper mounts using 34mm Milbolts (10) with the wave washers (12) under heads.
- Attach the bottom straps to the bottom mounts using 19mm Milbolts (11) with the wave washers (12) under heads. **(Note: Use 2nd hole from strap ends)**
- Tighten all Milbolts.
- Replace the cargo blind if required.



IMPORTANT NOTE: Check that all bolts and screws are tight and re check periodically.