



# AC8110-24

24v Compressor - Heavy Duty 200 PSI



## FEATURES

- Moisture & dust resistant rated to IP67
- Direct mount or protected remote mount air filter assembly
  - Thermal overload protection
- Stainless steel braided leader hose with inline check valve
  - Multiple position mounting brackets
  - Low noise vibration isolator feet
    - Mounting hardware
  - Gearless direct drive motor
    - Oil less design
- High performance and highly reinforced PTFE piston ring
- Anodized piston cylinder for increased wear protection
  - Stainless steel valves
  - CE, ROHS & REACH Approvals
    - Service kit available
- Three (3) year manufacturer's warranty

# PERFORMANCE DATA

**Model Number: AC8110-24**

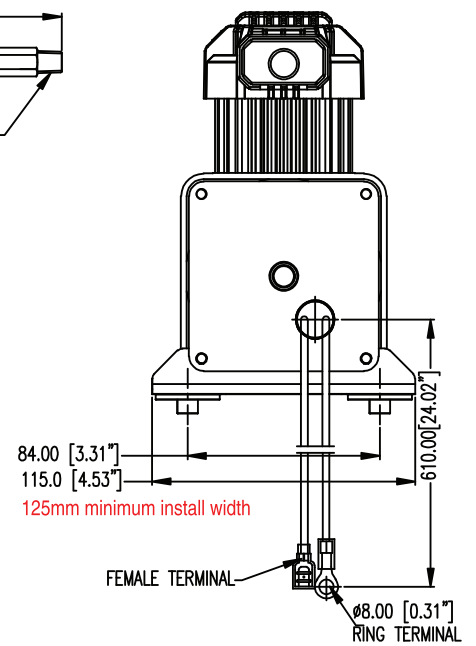
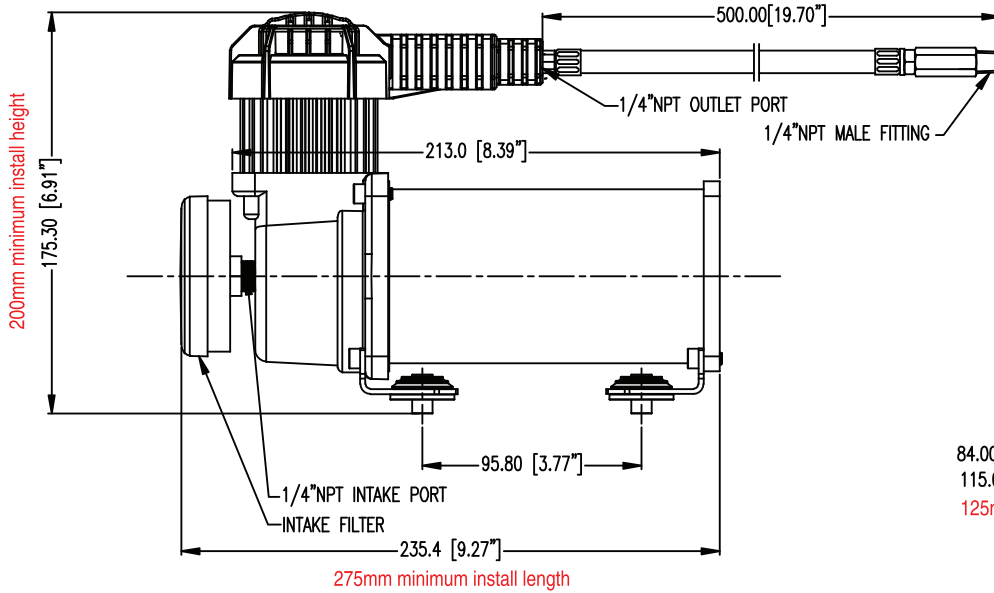
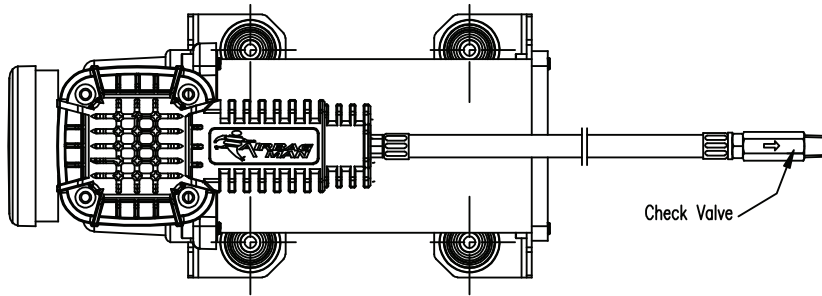
**Pressure: Flow @ 24v**

PSI	BAR	LPM	CFM
0	0	76	2.68
20	1.38	66	2.33
40	2.76	62	2.18
60	4.14	58	2.04
80	5.52	54	1.90
100	6.89	50	1.76
120	8.27	46	1.62
140	9.65	43	1.51

Max. operating pressure:	200 psi / 13.79 bar
Motor voltage / frequency:	24v DC
Max. duty cycle @ 23°C & 100 psi:	50%
Minutes on / off @ 23°C & 100 psi:	30 on / 30 off
Max. duty cycle @ 23°C & 200 psi:	40%
Minutes on / off @ 23°C & 200 psi:	24 on / 36 off
Max. operating current:	18 Amps
Max. ambient temperture:	80°C
Min. ambient temperture:	- 20°C
Max. restart pressure:	200 psi
Motor type:	Permanent Magnet
Noise:	≥82dB
Net weight:	3.94kg / 8.69lbs

# DIMENSIONS

(Millimetres & Inches)



\* Minimum installation dimensions. Installation must remain open on at least two sides for air flow.