



POST TYPE PREMIUM WINCH BAR

FITTING INSTRUCTIONS



TOYOTA HILUX VIGO 2005-2010

PK105STH05P

Fitting Time : approx. 3 hours

POST TYPE PREMIUM WINCH BAR TOYOTA HILUX VIGO 2005-2010

SD-RD-FT/FB-08

Rev.09 (27-JAN-2026)



BULL BAR SAFETY NOTICE:

INSTALLATION SHOULD ONLY BE DONE BY APPROPRIATELY QUALIFIED OR EXPERIENCED PERSONS IN ACCORDANCE WITH THESE INSTRUCTIONS.

IT IS THE RESPONSIBILITY OF THE INSTALLER TO ENSURE THAT THE PRODUCT IS CORRECTLY FITTED.

WARNING:

Do not attach Vehicle Frontal Protection System (**VFPS**) to the vehicle using anchorages not intended for this purpose. (e.g. engine mounting bolts)

Do not use this product for any vehicle make or model, other than those specified by the VFPS manufacturer.

Do not remove the plaque or label from the VFPS.

Do not modify the structure of the VFPS in any way.

The VFPS has been produced to provide continued functionality of parking sensors and other "driver assist" features as closely as possible to Original Equipment. However, as all possible road conditions and combination of other accessories fitted to the vehicle which may affect functionality characteristics cannot be anticipated, ***the driver remains responsible at all times for properly controlling the vehicle, monitoring all "driver assist" features and intervening where required to ensure the vehicle is safely operated.***

IMPORTANT INFORMATION:

Before installing the VFPS:

Check that all components, as listed in the assembly table, are available.

Thoroughly read all instructions.

This product or its fasteners must not be modified in any way.

These instructions are accurate as at the revision date and do not take into account any changes made by the vehicle manufacturer to vehicle design after the revision date or other accessories that are or have been fitted to the vehicle. Piak cannot be held responsible for such changes and appropriate enquiries should be made before installation.

Before installing, inspecting and/or maintaining the VFPS, the work space should be safe and clear of fuel, debris, electrical or other components.

During installation:

It is the responsibility of the installer to confirm correct operation/clearance of all components.

All holes drilled shall have all burrs and swarf removed then coated with a suitable rust preventative paint.

Ensure that all hardware is fastened to torque list as detailed in these instructions.

MAINTENANCE AND CARE:

To ensure continued safety and correct operation of the product, the VFPS must be routinely inspected and regularly serviced (including bolt torque checked for correct tension) by an appropriately qualified or experienced person.

The high tensile fasteners supplied with this product were used to achieve the specified rating. If replacement of the fasteners is required, fasteners of the same rating and quality must be used.

If this VFPS is fitted with a hinged number plate bracket, extra care must be taken when returning back to public roads following the use of the winch or conducting a deep water crossing.

The driver must ensure that the number plate bracket is returned back to the down position allowing full visibility of the number plate when returning to public roads.

EQUIPMENT:

These safety products should, at a minimum, be used when fitting or working on the product.



Protective Glasses



Hearing Protection

Installation in accordance with these instructions and adherence to warnings will ensure compliance with relevant regulatory and safety standards as at the revision date.

Failure to adhere to these instructions may affect the roadworthiness of the vehicle or cause personal injury, death or damage to property.

BY USING THIS PRODUCT YOU ACKNOWLEDGE AND AGREE THAT TO THE EXTENT PERMITTED BY LAW PIAK WILL NOT ACCEPT LEGAL OR OTHER LIABILITY FOR ANY LOSS, INJURY OR DAMAGE CAUSED BY INCORRECT OR

TOOLS REQUIRED

1. Torque , Socket wrench
2. Screw driver
3. Open spanner

PARTS LIST

⚠ Important : Check contents of fitting kit before commencing fitment and report any discrepancies.


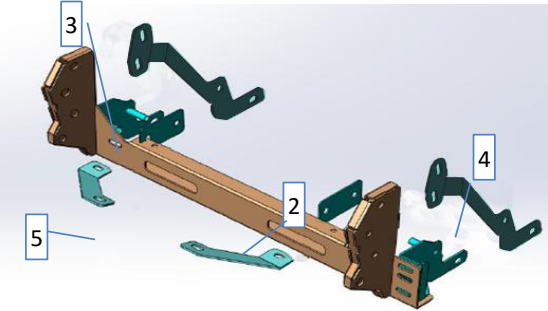
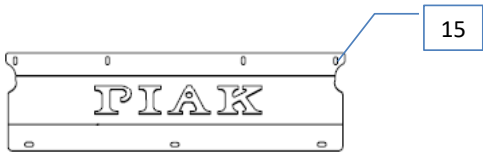
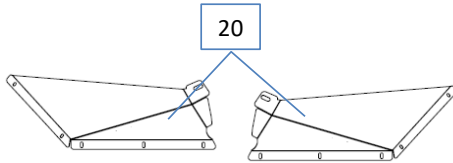
Steel Bull Bar			
Item	Component Name	Q'ty	Remarks
1	Winch Bull Bar	1	
Chassis Mounting Bracket (RH & LH)			
Item	Component Name	Q'ty	Remarks
2	Mounting Bracket	1	
3	Chassis Support Bracket (RH & LH)	2	
4	Chassis Support Spacer	2	
5	Winch Brace (RH & LH)	2	
6	Hex Bolt M12x35x1.5 Zn	6	
7	Spring Washer M12 Zn	8	
8	Flat Washer M12 Zn	10	
9	Hex Bolt M12x35x1.25 Zn	2	
10	Hex Bolt M10x35x1.25 Zn	10	
11	Spring Washer M10 Zn	14	
12	Flat Washer M10 Zn	30	
13	Flange Nut M10x1.25 Zn	16	
14	Hex Bolt M10x100x1.25 Zn	4	
Protection Plate (Center)			
Item	Component Name	Q'ty	Remarks
15	Protection Plate (Center)	1	
16	Hex Bolt M6x20x1.0 EDP	7	
17	Spring Washer M6 EDP	7	
18	Flat Washer M6 EDP	7	
19	Cage Nut M6x1.0x3T Zn	4	
Protection Plate (RH & LH)			
Item	Component Name	Q'ty	Remarks
20	Protection Plate (RH & LH)	1	
21	Hex Bolt M6x20x1.0 EDP	10	
22	Spring Washer M6 EDP	10	
23	Flat Washer M6 EDP	10	
24	Cage Nut M6x1.0x3T Zn	10	
25	Hex Bolt M10x35x1.25 Zn	2	
26	Spring Washer M10 Zn	2	
27	Flat Washer M10 Zn	2	

Plate Chassis Vigo Champ			
Item	Component Name	Q'ty	Remarks
28	Plate Chassis Vigo Champ	2	
License Plate Bracket			
Item	Component Name	Q'ty	Remarks
29	License Plate Bracket	1	
30	Hex Bolt M6x20x1.0 Zn 	4	
31	Cage Nut M6x1.0x3T Zn 	2	
32	Spring Washer M6 Zn 	4	
33	Flat Washer M6 Zn 	6	
34	Flange Nut M6x1.0 Zn 	2	
Winch Control Plate			
Item	Component Name	Q'ty	Remarks
35	Winch Control Plate 	1	
36	Hex Bolt M6x20x1.0 Zn 	2	
37	Cage Nut M6x1.0x3T Zn 	2	
38	Spring Washer M6 Zn 	2	
39	Flat Washer M6 Zn 	4	
Inner Guard Retainer (RH & LH)			
Item	Component Name	Q'ty	Remarks
40	Inner Guard Retainer (RH & LH) 	2	
41	Hex Bolt M6x20x1.0 Zn 	10	
42	Spring Washer M6 Zn 	10	
43	Flange Nut M6x1.0 Zn 	8	
44	Flat Washer M6 Zn 	18	
Front Grille Fitting Bracket			
Item	Component Name	Q'ty	Remarks
45	Front Grille Fitting Bracket 	1	
46	Hex Bolt M6x20x1.0 Zn 	2	
47	Flat Washer M6 Zn 	4	
48	Flange Nut M6x1.0 Zn 	2	
49	Spring Washer M6 Zn 	2	
Front Grille Fitting Bracket			
Item	Component Name	Q'ty	Remarks
50	Pinch Mould (#1/ 3 mm.) 840 mm. 	1	
51	Pinch Mould (#3/ 6 mm.) 990 mm. 	1	

TORQUE SETTING OF FASTENER

Mounting bolts must be tightened to torque's specified following ;

Bolt Diameter (mm.)	Class 8.8		Class 10.9	
	Torque (Nm.)	Torque (ft-lb.)	Torque (Nm.)	Torque (ft-lb.)
M6	10.5	7.7	15	11.1
M8	25.5	18.8	36.5	26.9
M10	50.5	37.2	72.2	53.3
M12	88	64.9	126	92.9
M14	140	103	200	148

FITTING PROCEDURE



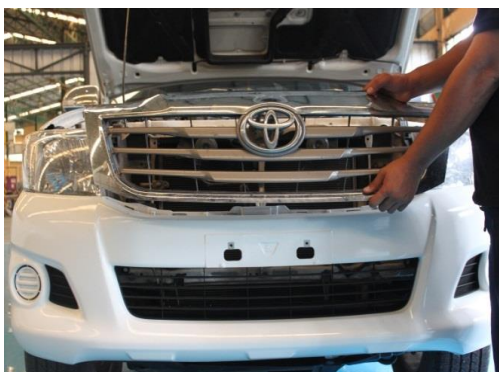
- 1 Vehicle before installation of bullbar.
Rest bullbar face down on a surface that will not scratch the bar.



- 2 Using a flat blade screwdriver to remove clip from top of grille as shown on the red circle.



- 3 Using a screwdriver to remove screw from top of grille as shown on the red circle.



- 4 Remove the grille from vehicle and place on a soft surface.

Notice : Refer to vehicle repair manual for correct removal manual.

FITTING PROCEDURE



- 5** Vehicle after removed the grille out.



- 6** Using a flat blade screwdriver to remove clip from top of bumper as shown on the red circle.



- 7** Using a screwdriver to remove screw from inward of bumper as shown on the red circle.



- 8** Using a flat blade screwdriver to remove clip from Bottom of bumper as shown on the red circle.

FITTING PROCEDURE



- 9** Using a flat blade screwdriver to remove clip from Bottom of bumper as shown on the red circle.



- 10** Remove the stone tray at bottom of the vehicle.

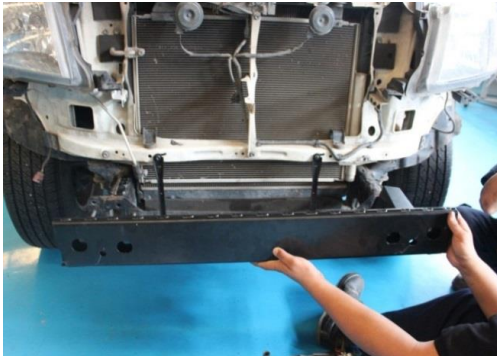


- 11** Remove the bumper from vehicle and place on a soft surface.
Notice : Refer to vehicle repair manual for correct removal manual.



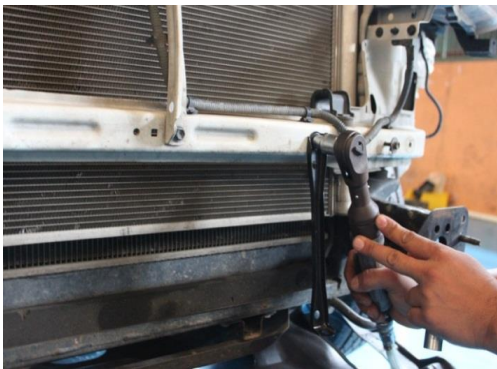
- 12** Using a screwdriver to remove screw of crossbar (reinforcement beam) from front of chassis.

FITTING PROCEDURE



- 13** Remove crossbar (reinforcement beam) from front of chassis and discard it.

Notice : Refer to vehicle repair manual for correct removal manual.



- 14** Remove and discard the outer bumper support brackets from either side of the vehicle.



- 15** Using a screwdriver to remove screws (red circle) that fitted plastic bracket to lower wheel arch corner and vehicle .

Repeat for the opposite side.



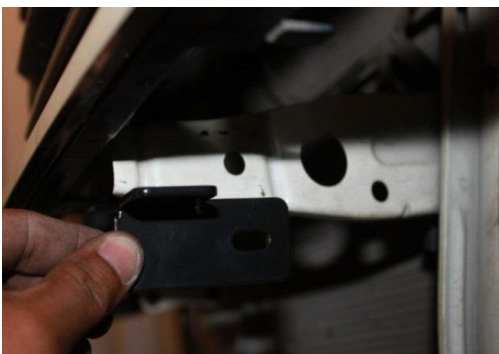
- 16** Remove plastic bracket and discard it. (Red circle)

Repeat for the opposite side.

FITTING PROCEDURE



- 17 Reinstall grille back to vehicle with retained bolts and clips.



- 18 Secure front grille fitting bracket to front grille fitting beam in order to reinstall grille back using M6 bolt, two flat washers and flange nut.



- 19 Drilling hole for M6 for fitting front grille.



- 20 After drilling the hole on front grille, attach bracket by using M6 bolt, two flat washers, spring washer and flange nut.

FITTING PROCEDURE



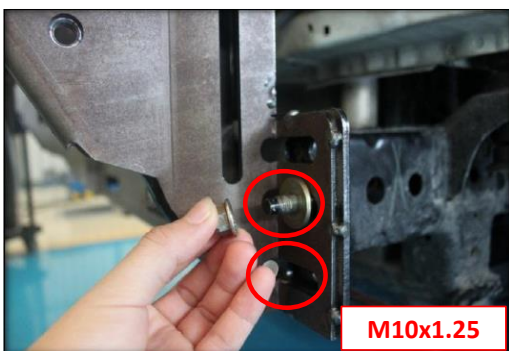
- 21 Secure the Inner Guard LH side with M6 bolts ,spring washer ,flash washer and flange Nuts.



- 22 Secure the Inner Guard RH side with M6 bolts ,spring washers , flat washers and flange nuts.



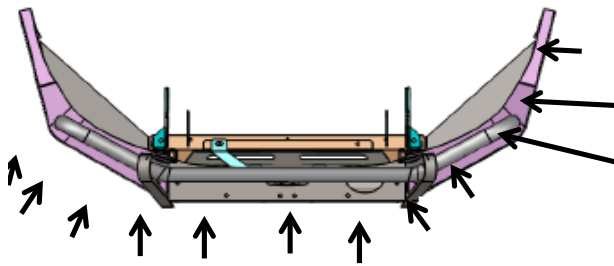
- 23 Install chassis mounting bracket to chassis of vehicle as shown on LH side.



- 24 Secure flat washers M10 and flange nuts M10x1.25 onto the mounting bracket as shown on the red circles.

Repeat for the opposite side.

FITTING PROCEDURE



25 Fit M6 cage nut to the bull bar as indicated.



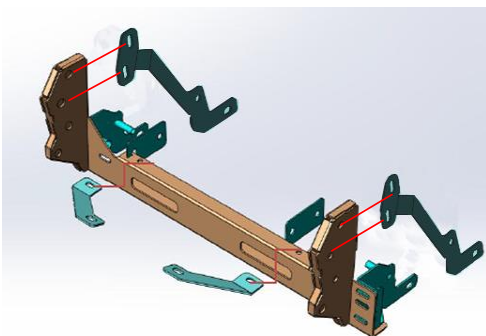
26 Fit the supplied pinch mould 840 mm. to upper center of vehicle as shown on the LH side.

27 Fit the supplied pinch mould 495 mm. to wing of vehicle as shown on the RH of picture.

Repeat for the opposite side.



28 Using two people, lift bullbar onto chassis mount bracket fitted to the chassis rail.

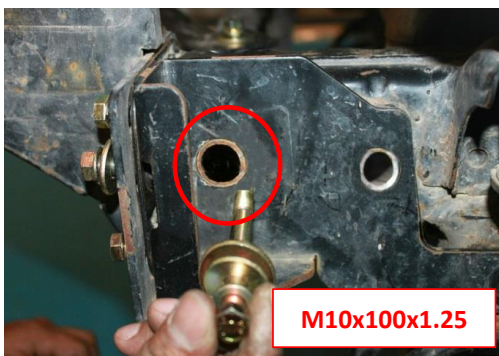


FITTING PROCEDURE



- 29** Fit three bolts M10x35x1.25, spring washers, flat washers and flange nuts onto the mounting bracket.

Repeat for the opposite side.



- 30** Fit Chassis Support Bracket onto the chassis by using a bolt M10x100x1.25, spring washer M10, flat washers M10, flat washer M12.

Repeat for the opposite side.



- 31** Fit Chassis Support Spacer onto the chassis Support Bracket by using bolt M10x100x1.25, spring washer, flat washer.

Repeat for the opposite side.



- 32** Fit bolt M12x35x1.25, spring washer, flat washer at the bottom of chassis support spacer.

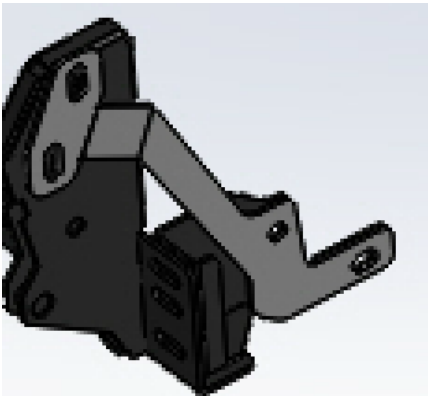
Repeat for the opposite side.

FITTING PROCEDURE



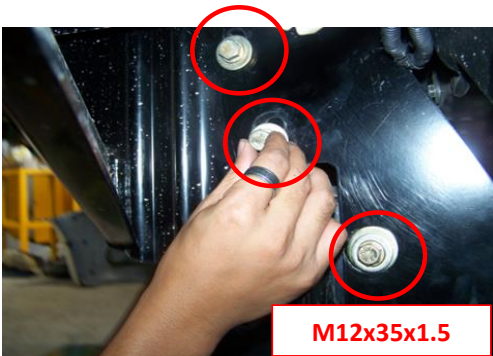
- 33** At the rear of chassis, attach Plate Chassis with the bolts that fitted on chassis support spacer and chassis support bracket by using flat washers and flange nuts.

Repeat for the opposite side.



- 34** Attach Chassis Support Spacer onto the chassis mounting bracket.

Repeat for the opposite side.



- 35** Fit bullbar bracket to chassis mounting bracket using three bolts M12x35x1.5, spring washers, flat washers as shown on the red circles.

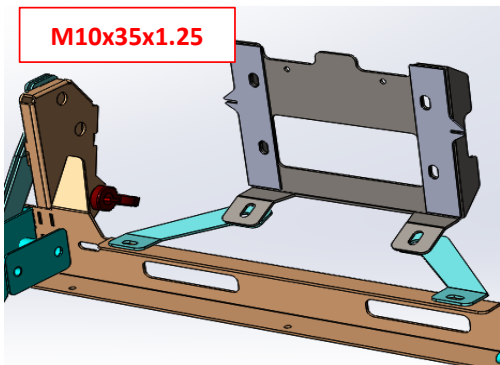
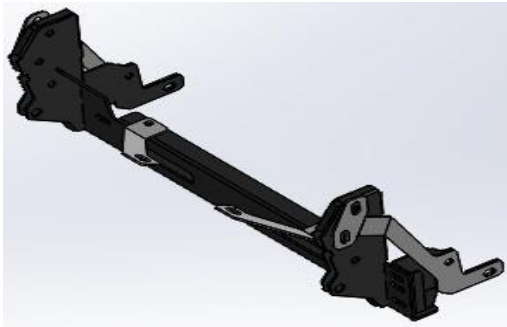
Repeat for the opposite side.



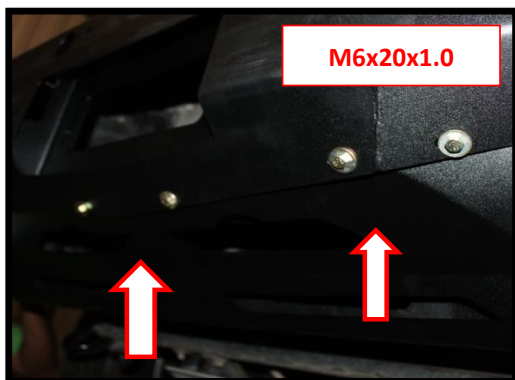
- 36** Fit winch brace onto the chassis mounting bracket by using bolt M10x35x1.25, spring washer and flat washer.

Repeat for the opposite side.

FITTING PROCEDURE



- 37 Fit winch brace onto sub winch bracket (red circles) at the middle of bullbar by using bolt M10x35x1.25, spring washer, flat washers and flange nuts.

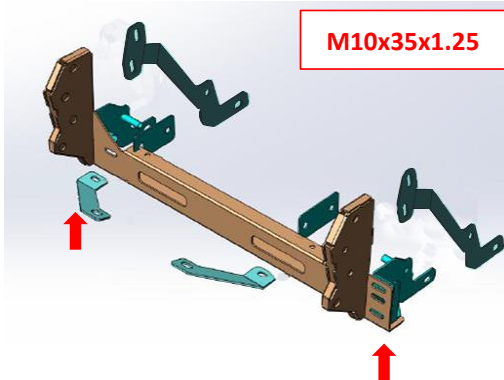


- 38 Fit front protection plate center to bullbar with seven M6 bolts (M6x20x1.0), spring washers and flat washers.



- 39 Fit protection plate LH to bullbar with five M6 bolts (M6x20x1.0), spring washers and flat washers.

FITTING PROCEDURE



- 40 Secure rear protection plate LH by using a bolt (M10x35x1.25), spring washer and flat washer through the mounting bracket as indicator.

Repeat in step 39-40 for the opposite side .

