

# Fitting Instructions



SKU

PRODUCT

**T4M563**

**TAG HEAVY DUTY TOWBAR  
to suit Mazda CX-9  
(12/2007 - 07/2016)**



Scan for latest  
version of these  
instructions

## SPECIFICATIONS

- Towbar Class: Heavy Duty
- Towing Capacity: 2000kg

## IN THIS GUIDE

- Fitment Instructions
- Torque Settings
- Warranty Info

# Towbar Fitting Instructions



## Step-By-Step Instructions

### Warning:

Safety First: Always use correct safety equipment.

This towbar is NOT to be drilled, cut, welded or modified in any way.

Check the surrounding area before drilling into chassis or body panels for fuel lines, wiring harnesses and other components that may be a hazard.

### General:

Before fitting this towbar read fitting instructions and check installation hardware is correct.

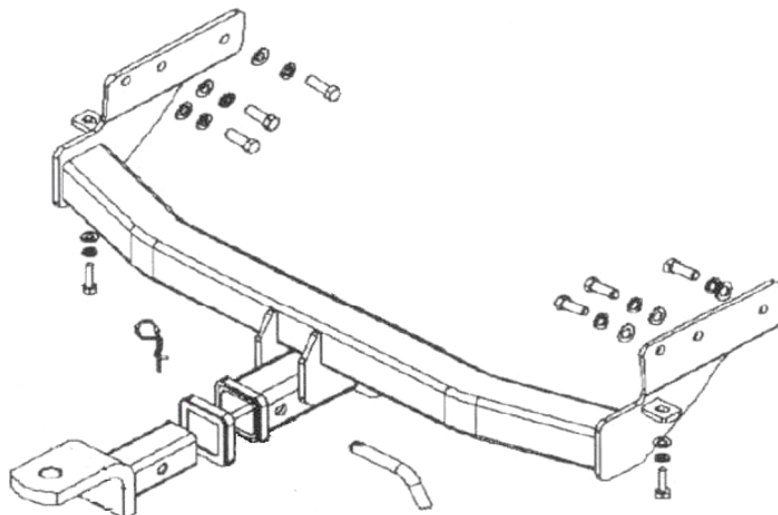
Check that the towbar is suitable for the vehicle and be wary of any changes to the vehicle design that may conflict with the fitting of this towbar.

After drilling, blow any filings clear, remove any swarf and treat exposed metal with a rust inhibitor.

If this vehicle requires a bumper cut out, please check to make sure that you measure twice and check twice before cutting any panels as some bumper profiles can change.

If you are not sure, then ask your towbar supplier.

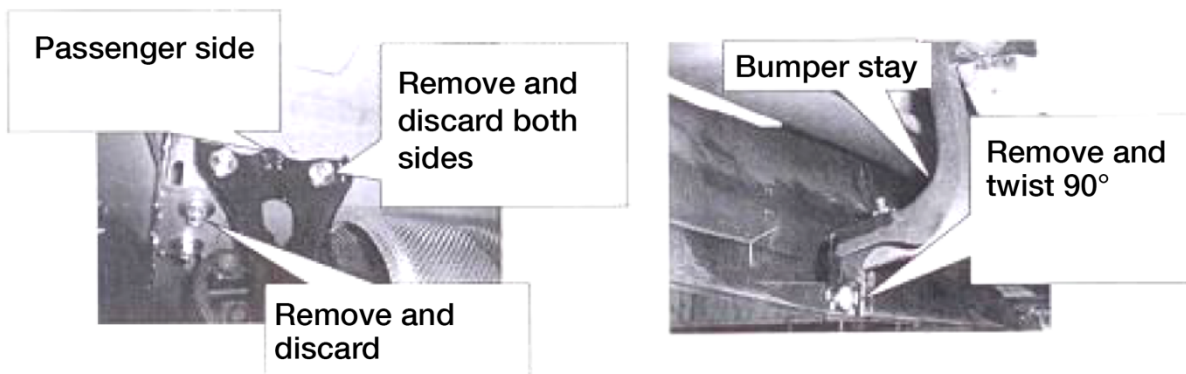
Tighten all bolts as specified on the last page.



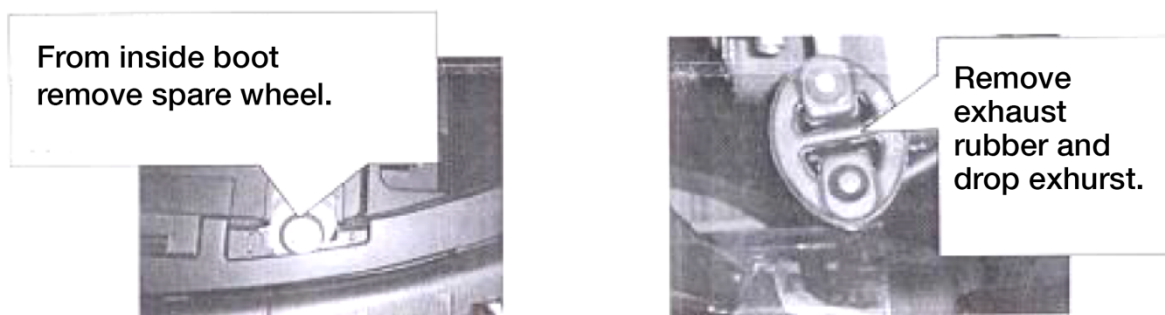
# Towbar Fitting Instructions



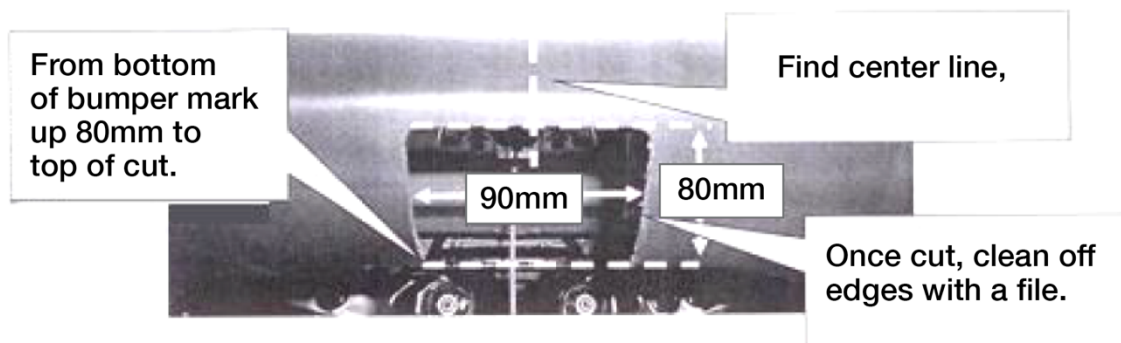
1. Remove shipping hooks from both sides, remove 2x screws from bumper supports on each side of under side of bumper



2. Lower spare wheel, drop rear most exhaust rubbers from exhaust mounts



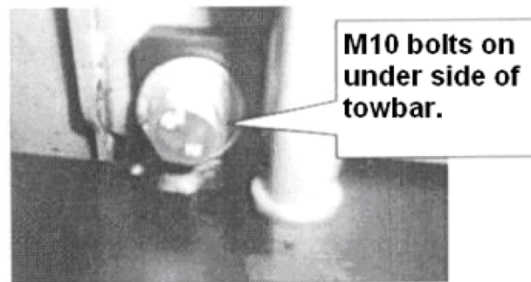
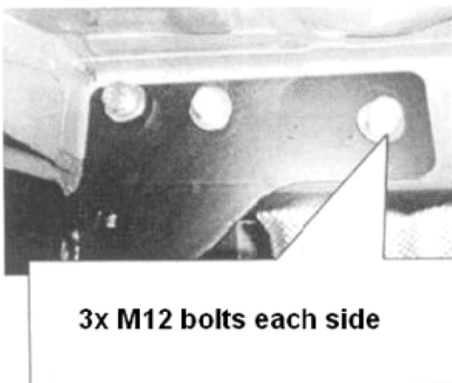
- 3) Mark bumper as follows and remove section. making sure not to damage paint work.



# Towbar Fitting Instructions



4. Line up holes in towbar with captive nuts on the inside of the chassis rails and loosely fit 3x M12 bolts + flat + spring washers each side.
5. Loosely fit 1x M10 bolts to the under side holes of the towbar.
6. Tighten all bolts.
7. Refit spare wheel and bumper stays.



## Torque table for bolt tightening

<b>Metric GRADE 8.8</b>
M6 – 9.5 Nm
M8 – 21.7 Nm
M10 – 43.4 Nm
M12 – 77.3 Nm
M16 – 189.8 Nm

## TAG Warranty Statement

SWD warrants your TAG Towbar for its full product life under the following conditions:

- You can show proof of purchase.
- The towbar has been correctly installed by a suitably qualified installer.
- The towbar has not been modified or abused in any way and has only been used for the purpose intended.
- The towbar was not fitted second hand to your vehicle.

The extent of this warranty includes materials and workmanship used in the manufacture of the towbar and is to the equivalent value of current, full replacement cost.

Nothing stated or implied in this warranty limits in any way, the statutory rights that you may have.

To make a claim visit the original installer in the first instance or, if you are unable to or are not satisfied with their help, then contact us direct by phone on 1300 669122 or visit [www.swd.com.au](http://www.swd.com.au)