



# VOLKSWAGEN GOLF WAGON CARGO BARRIER INSTALLATION INSTRUCTION

Part # 707000

VEHICLE YEARS OF MANUFACTURE - From February 2014  
(Not suitable for Sunroof models)



This cargo barrier is capable of being located in two positions, behind the 2nd row of seats with the seats in an upright position, and behind the 1st row of seats with the 2nd row of seats in their folded position. The installation kit contains sufficient components for fitment to both locations. A high degree of technical competence is necessary to correctly install this product.

We recommend this cargo barrier be installed by an authorised outlet to ensure the barrier installation complies with AS/NZS 4034 Standard.

The cargo barrier is designed, manufactured and fitted to decrease the impact hazard in an accident to occupants from cargo carried within the interior cargo space of the vehicle. In the event of an accident, a cargo barrier can reduce injuries caused by cargo intruding into occupant's space.

**Installation time approximately 0.5 Hour**

"The estimated fitting time is based on an experienced fitter conversant with the fitment procedure"



## WARNINGS

- **Strict compliance with fitting instructions is essential for this safety product to meet its rated capacity. Refer user instructions regarding correct usage of the cargo barrier.**
- **Do not modify cargo barrier in any way.**
- **Do not use this cargo barrier in any other vehicle for which it is not designed.**
- **Modifications to the cargo barrier or its fixings or use in any other vehicle for which it is not designed may void the load rating and warranty.**
- **Do not attach the cargo barrier to the vehicle using seat, seat belt or child restraint anchorage's.**
- **Where high tensile threaded fasteners are used, the cargo barrier must be installed using the size and grade fasteners specified by Milford Industries.**
- **Do not drill, rivet, adhere or attach objects to the front or rear of the cargo barrier.**
- **Do not place smaller items, that may bypass the cargo barrier in the event of heavy braking or collision, near the edges of the barrier.**
- **Position the load against the cargo barrier.**
- **When load is positioned against cargo barrier, secure the load with a restraint system.**
- **During a collision moving cargo may damage seat belts or tether straps of a child restraint device, or its anchorage. Load should be carefully positioned so as not to come in contact with these items.**
- **Do not obstruct seat belts or child restraints, or their operation.**
- **Long thin items of cargo should be positioned in the vehicle with the long axis across the vehicle to minimise the penetration risk.**
- **If involved in an accident or accidentally damaged, the cargo barrier should be replaced and the anchorage's repaired to as new condition.**
- **Clean with soap and water only. Do not use solvents or chemicals. Discard cargo barrier if it becomes rusted. Do not expose to direct sunlight for long periods.**
- **It is extremely dangerous to ride in the cargo area of the vehicle behind the cargo barrier. It is recommended that the cargo barrier be removed. In a collision people or children riding unrestrained in these areas are more likely to be seriously injured or killed.**
- **Never leave a child in the vehicle unattended, particularly in the rear cargo area. The cargo area should never be used as a play area for children.**
- **The cargo barrier may deform and significantly intrude into occupant's space in an accident.**
- **Remember that the tailgate cannot be opened from inside the cargo area.**
- **The fixed labeling should not be removed from the cargo barrier.**
- **Failure to comply with warning notes may prevent the barrier protecting the occupants.**
- **Parents should explain to children how and when to use *EMERGENCY ESCAPE HAMMER* attached to cargo barrier.**
- **Do not remove the rating plaque from the cargo barrier.**

### NOTICE TO INSTALLERS & DISTRIBUTORS

***Please ensure User Instructions are left with vehicle owner after installation.***



Behind you all the way

# VOLKSWAGEN GOLF WAGON CARGO BARRIER INSTALLATION INSTRUCTION

## Part # 707000

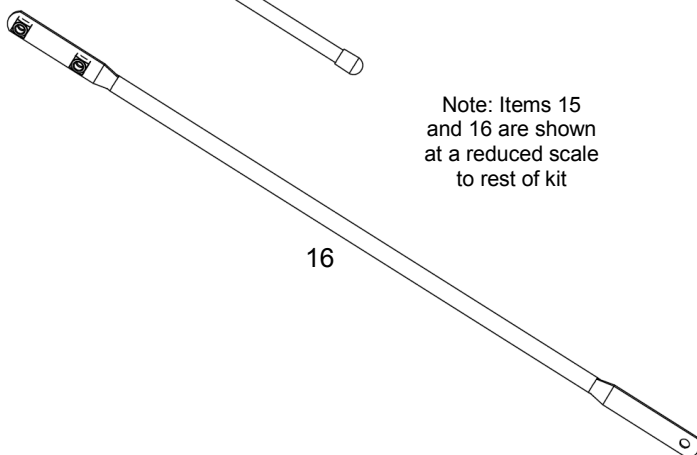
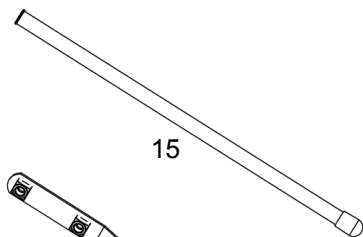
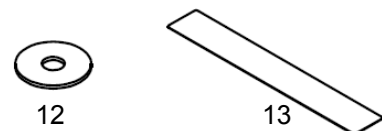
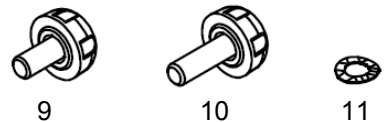
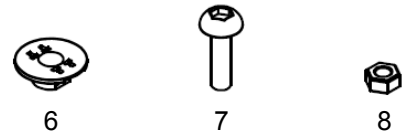
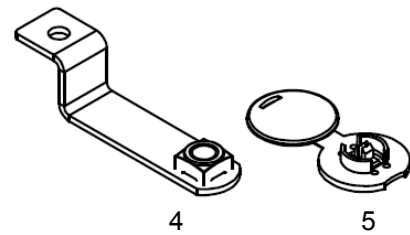
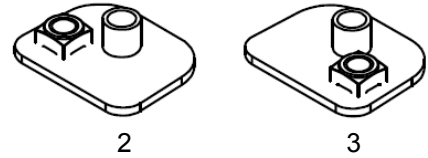
VEHICLE YEARS OF MANUFACTURE - From February 2014  
(Not suitable for Sunroof models)



**IMPORTANT:** The installation kit contains sufficient components to fit the cargo barrier. A high degree of technical competence is necessary to correctly install this product. We recommend this cargo barrier be installed by an authorised outlet to ensure the barrier installation is correct. These instructions must be read and clearly understood before commencing installation. Check contents of kit before commencing fitment and report any discrepancies or damage.

### Parts List

Item	Component Name	Part No.	Qty
1	Cargo Barrier ASM (see page 8)	707950	1
2	Bracket ASM - Bottom LHS	753544	1
3	Bracket ASM - Bottom RHS	753540	1
4	Bracket ASM - Roof	753543	2
5	Trim Garnish - Base & Lid	753075	2
6	Trim Garnish Insert	753077	2
7	Screw - Button Head, M8 x 1.25 x 30mm ZP	913137	2
8	Hex Nut - M8 x 1.25 ZP	913260	2
9	Milbolt - M10 x 1.5 x 19mm	912820	6
10	Milbolt - M10 x 1.5 x 29mm	912830	4
11	Wave Washer - 10mm ZP	932125	4
12	Washer - Flat, 10mm x 32mm OD ZP	932006	1
13	Warning Label (orange)	905017	1
14	Marking Pin	906185	1
15	Support Leg ASM	755357	2
16	Tube Extension Strap	776854	2



Note: Items 15 and 16 are shown at a reduced scale to rest of kit

**E and OE—Errors and Omissions Excepted**



## VOLKSWAGEN GOLF WAGON CARGO BARRIER INSTALLATION INSTRUCTION

Part # 707000

VEHICLE YEARS OF MANUFACTURE - From February 2014  
(Not suitable for Sunroof models)



### ADVICE TO FITTER

**Note:** To fit the cargo barrier the following is essential: (where applicable)

- Always drill perpendicular to surface (Unless stated otherwise).
- A positive drill stop should always be used to prevent accidental damage to external panels, fuel lines etc.
- Ensure Safety Eye Protection and Gloves are worn as required when using cutting tools.
- When cutting metal panels be very careful of sharp edges, for risk of skin cuts etc.
- Care should be taken when applying Rust Preventative sealer to all holes drilled, to negate the possibility of skin and eye irritation.
- Check screws in relevant components by hand before installation. Should there be resistance re-tap threads and re-check.
- Before marking or drilling to install this cargo barrier, check vehicle for LPG conversion & non standard fuel tanks. Locate tanks and all lines attached and take EXTREME CARE not to damage whilst installing this cargo barrier.**
- Before drilling to install this cargo barrier, check for concealed wiring looms. E.g. tow bar, reversing camera, reversing sensor wiring etc.. Relocate before drilling to avoid damage.**

**CARE SHOULD BE TAKEN NOT TO CROSS THREAD THE FASTENERS DURING  
INSTALLATION OF COMPONENTS TO THE VEHICLE.**

### TOOLS REQUIRED

- Socket Wrench
- Metric Hex Sockets
- Trim Removal Tools
- Screwdrivers
- Power Drill
- Masking Tape
- Marker Pen
- 5mm Drill Bit
- Drill Stop
- 20mm Vinyl Cutter
- M8 Spline & 5mm Hex Bits & Driver
- Vacuum Cleaner
- Torque Wrench (22Nm)
- Long Nose Pliers
- Clean Rag



# VOLKSWAGEN GOLF WAGON CARGO BARRIER INSTALLATION INSTRUCTION

Part # 707000

VEHICLE YEARS OF MANUFACTURE - From February 2014  
(Not suitable for Sunroof models)



## INSTALLATION PROCEDURE FOR LOWER MOUNTS



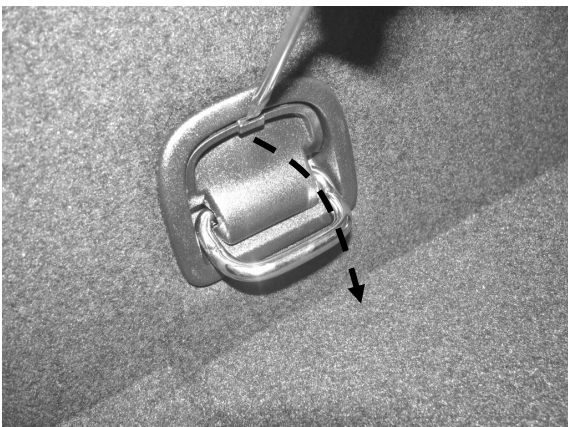
1. Remove the cargo blind if installed behind 2nd row seats.



2. Remove the cargo net if installed.  
Note: the cargo net cannot be reinstalled with the cargo barrier fitted.



3. Lay the 2nd row seats down flat.  
4. Identify the area which you will be working in. Forward cargo area tie down points.



5. Unclip the screw covers for the 2 forward cargo area tie down points.

# VOLKSWAGEN GOLF WAGON CARGO BARRIER INSTALLATION INSTRUCTION

Part # 707000

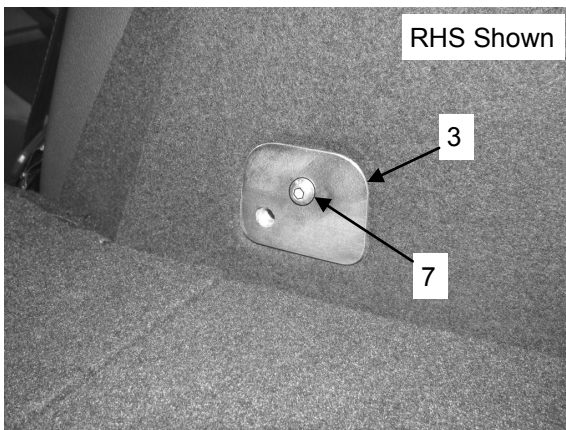
VEHICLE YEARS OF MANUFACTURE - From February 2014  
(Not suitable for Sunroof models)



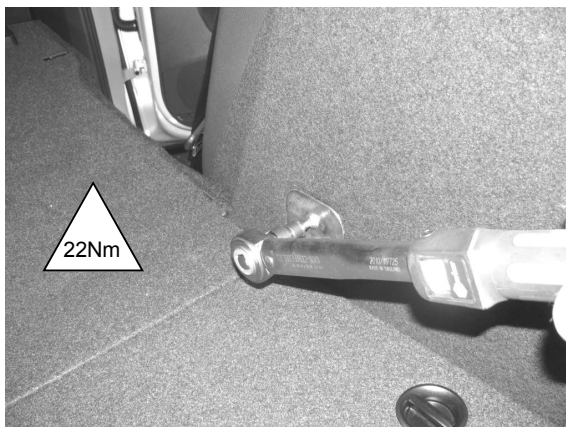
## INSTALLATION PROCEDURE FOR LOWER MOUNTS - Cont'd



6. Undo the M8 screws securing the tie down points in place.  
Note: An 'M8 Spline Drive' bit is required for this operation.
7. Remove the tie down points and place in the glove box for future use should the cargo barrier be removed.



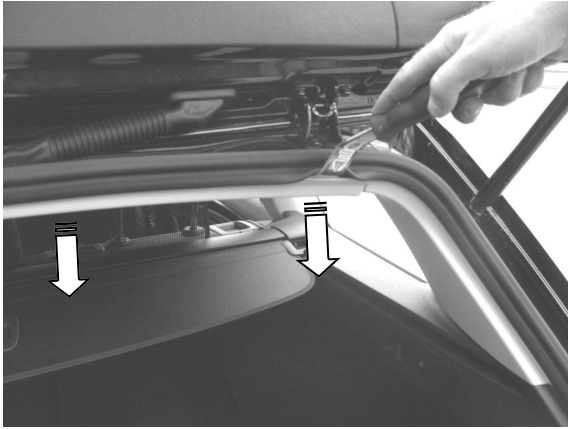
8. On the RHS position the bottom bracket ASM (3) as shown, with the captive nut to the front.
9. Secure the bracket in place using M8 button head screw (7).



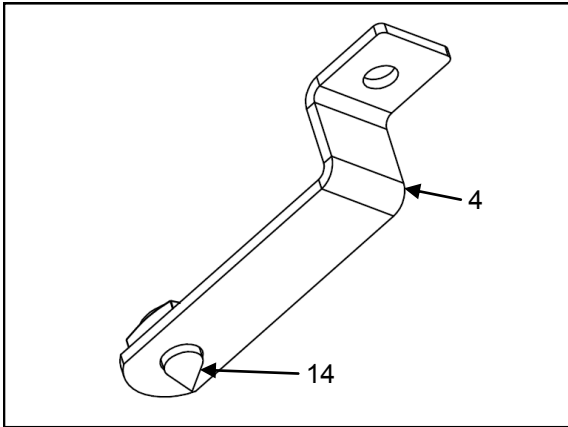
10. Tighten and torque up the M8 button head securing screw to 22Nm.
11. Repeat the procedure on the other side using LHS bracket ASM (2)



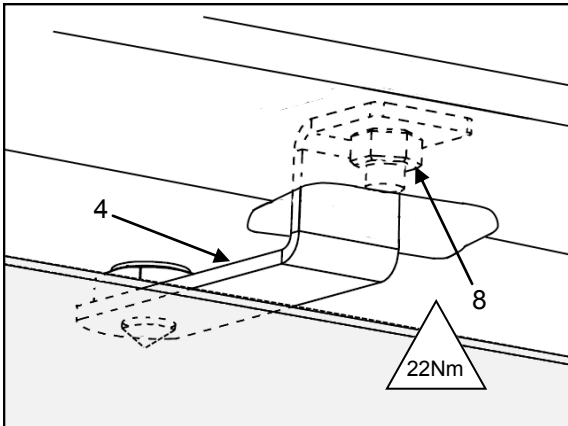
## INSTALLATION PROCEDURE FOR ROOF MOUNTS



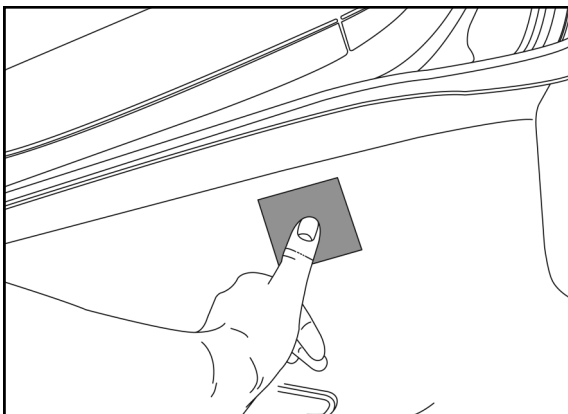
12. Using a suitable trim removal tool carefully unclip the hard plastic centre trim panel located at the top of the tailgate opening.



13. Screw the marking pin (14) into a roof bracket ASM (4) as shown.



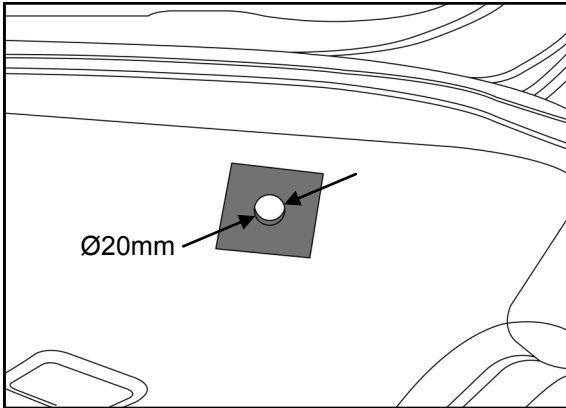
14. Working on one side at a time undo a tailgate hinge retaining nut and discard.  
*Caution: Take care not to move the tailgate whilst doing this operation.*
15. Place a roof bracket ASM over the tailgate hinge stud then secure in place using hex nut (8) as shown.
16. Tighten and torque up the hex nut to 22Nm.



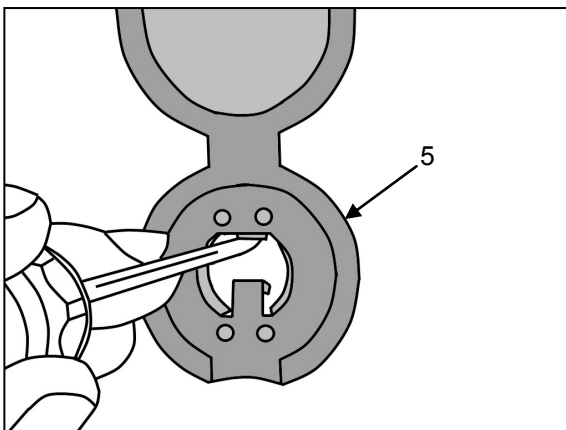
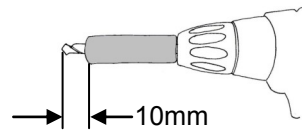
17. At the approximate location of the marking pin affix masking tape to the roof lining.
18. Apply pressure to the roof lining at the marking pin location until the point can be seen on the cabin side.
19. Mark this location on the masking tape.
20. Repeat steps 13 to 19 on the other side.



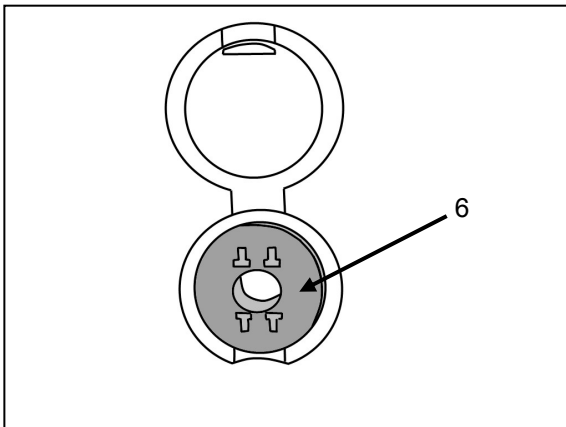
**INSTALLATION PROCEDURE FOR ROOF MOUNTS - Cont'd**



21. Using a 5mm drill bit with drill stop set at 10mm carefully drill a pilot hole through the roof lining at the two marked locations from steps 19/20.
22. Using a 20mm vinyl cutter enlarge the pilot holes.



23. Remove the masking tape.
24. Insert a trim plug base (5) into the 20mm hole in trim with the lid positioned towards the front of vehicle.
25. Using a small screwdriver or similar push the trim plugs retention legs outwards to engage them in behind the roof trim.



26. Push a trim plug insert (6) into the centre of the trim plug base until it clips in place flush.
27. Repeat steps 24 to 26 on the other side.



28. Clip the hard plastic centre trim panel back in place.



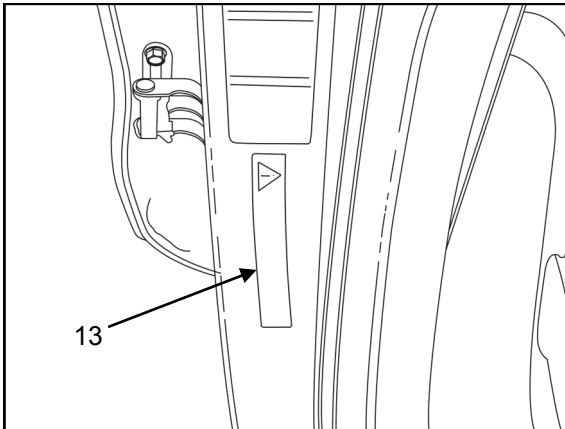
# VOLKSWAGEN GOLF WAGON CARGO BARRIER INSTALLATION INSTRUCTION

Part # 707000

VEHICLE YEARS OF MANUFACTURE - From February 2014  
(Not suitable for Sunroof models)



## AFFIXING OF WARNING LABEL

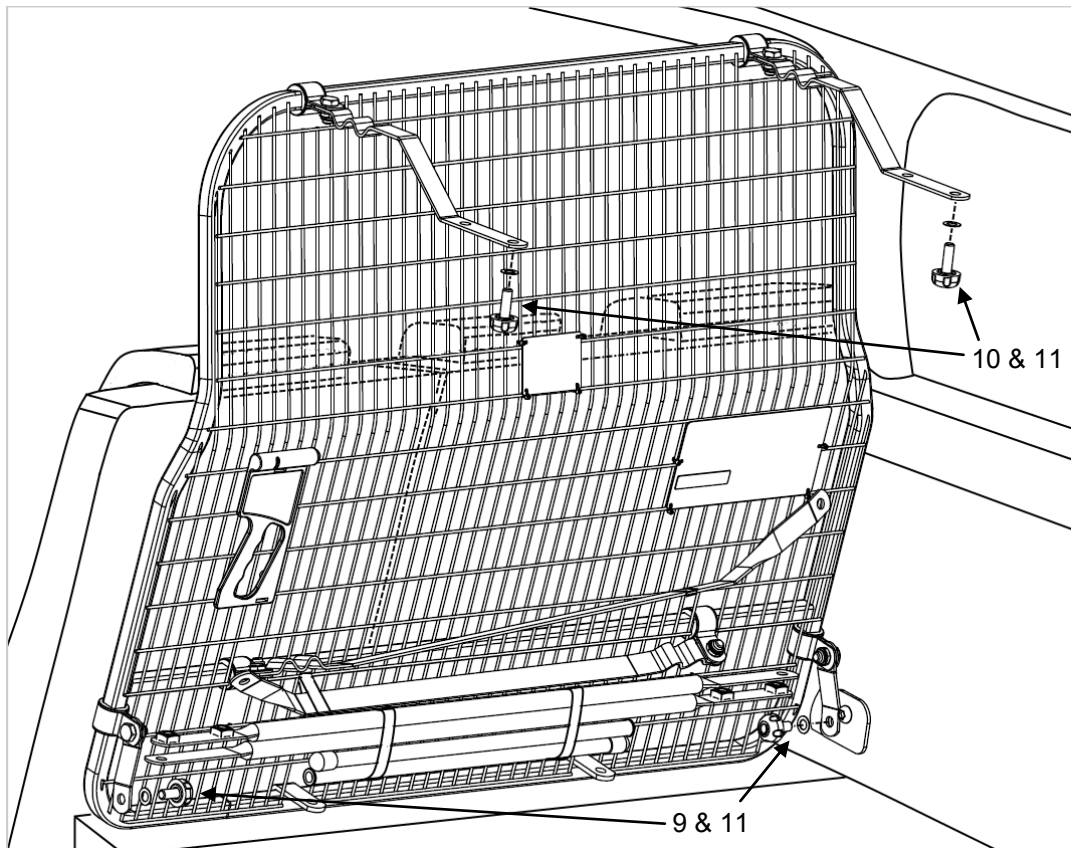


29. Clean the area shown inside the drivers door opening.
30. Affix the orange warning label (13) at that location as shown.

***Please ensure User Instructions are left with vehicle owner after installation.***

## INSTALLATION OF CARGO BARRIER 'Behind 2nd row of seats'

1. Ensure the cargo barrier straps are pivoted towards the meshed side of the cargo barrier.
2. Position the Cargo Barrier directly behind the 2nd row of seats with the rating label (meshed side of cargo barrier) facing the rear of the vehicle.
3. Attach the top straps to the roof mounts using 29mm Milbolts (10) with wave washers (11) under heads.
4. Attach the short bottom straps to the lower mounts using 19mm Milbolts (9) with wave washers (11) under heads.
5. Tighten all Milbolts.
6. Replace the cargo blind if required.
7. Place any spare front position hardware in a safe place for future use.







# VOLKSWAGEN GOLF WAGON CARGO BARRIER INSTALLATION INSTRUCTION

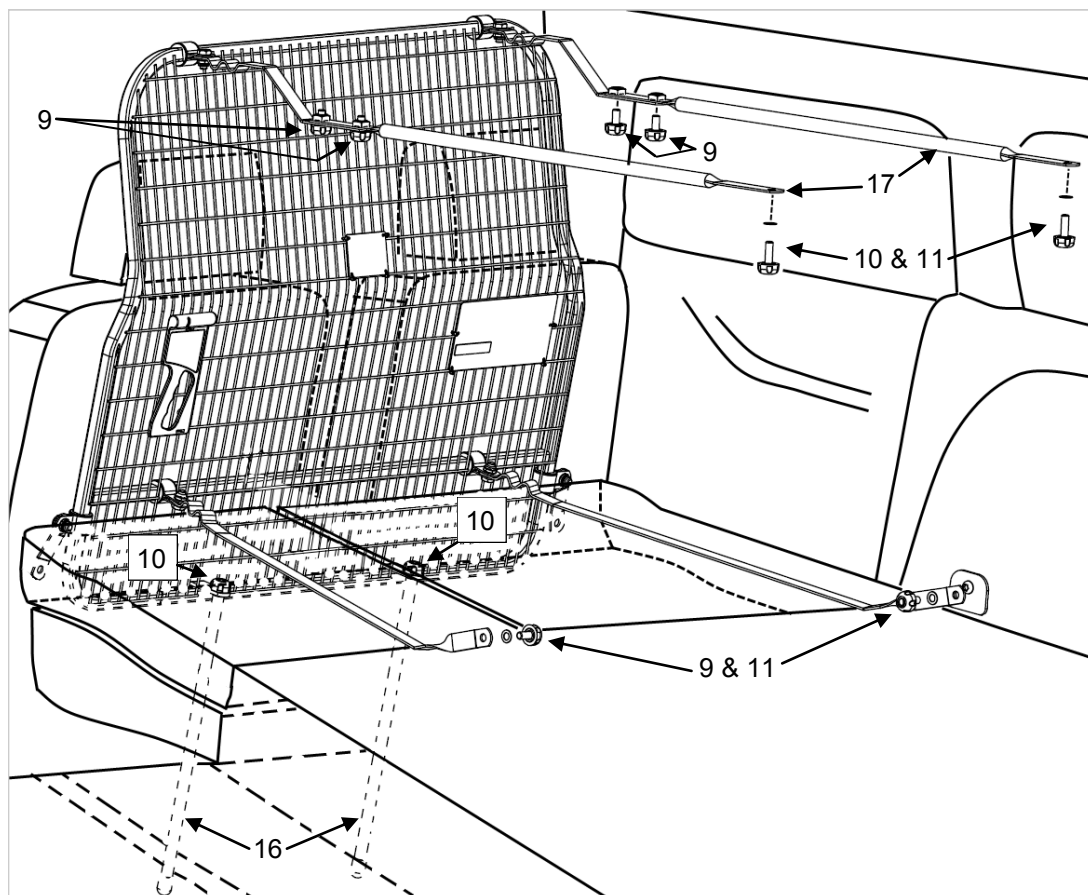
Part # 707000

VEHICLE YEARS OF MANUFACTURE - From February 2014  
(Not suitable for Sunroof models)



## INSTALLATION OF CARGO BARRIER 'Behind 1st row of seats'

1. Remove the cargo blind if fitted.
2. With the head restraints in their fully down position lay the 2nd row seats flat as shown in owners handbook.
3. Move the front seats fully forward on their sliders to allow manoeuvring space.
4. If moving from the rear position undo all Milbolts securing cargo barrier in place.
5. Ensure all straps are pivoted towards the meshed side of the Cargo Barrier.
6. Unfasten the support legs and the front position tube extension straps from the cargo barrier.
7. Lay the cargo barrier on its back in the cargo area.
8. Attach the support legs (16) to bottom brackets as shown using 29mm Milbolts (10).
9. Stand the cargo barrier upright behind the 1st row of seats with the rating label (meshed side of cargo barrier) facing the rear of the vehicle and the support legs sitting on the floor.
10. Attach the tube extension straps (17) to the top straps as shown using 19mm Milbolts (9). -2 Milbolts per strap.
11. Attach other end of the tube extension straps to the roof mounts using 29mm Milbolts (10) with wave washers (11) under heads.
12. Unfasten the front position bottom straps from the cargo barrier.
13. Attach the loose ends of the long bottom straps to lower mounts using 19mm Milbolts (9) with wave washers (11) under heads.
14. Tighten all Milbolts securely.
15. Reverse the procedure to remove cargo barrier or move to the behind 2nd row seats position.



**IMPORTANT NOTE: Check that all bolts and screws are tight and re check periodically.**