

Fitting Instructions #5393IS

Jeep Grand Cherokee Trackhawk (2018-On)

Rear Subframe Bushes

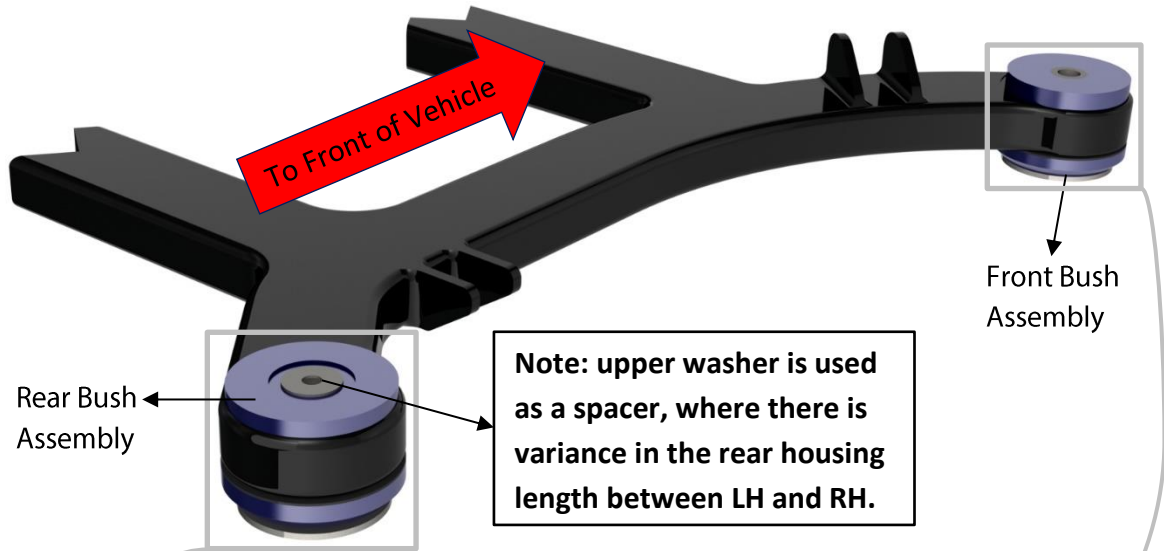
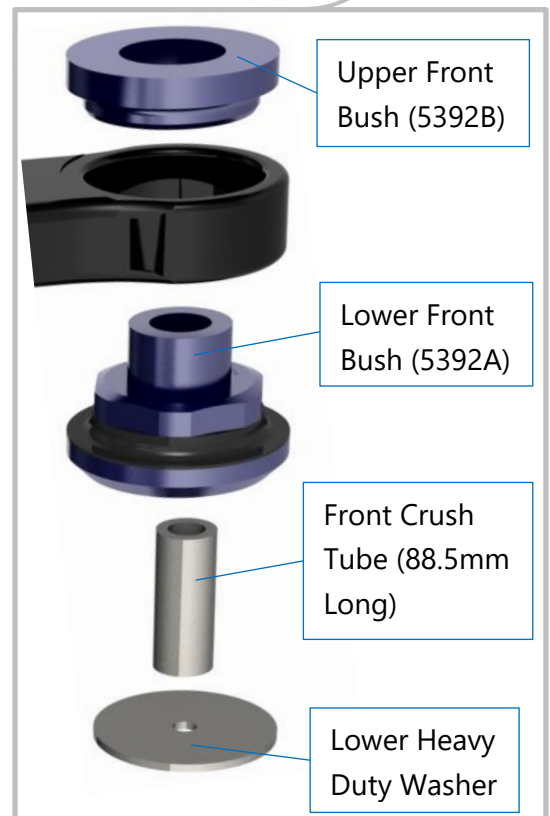
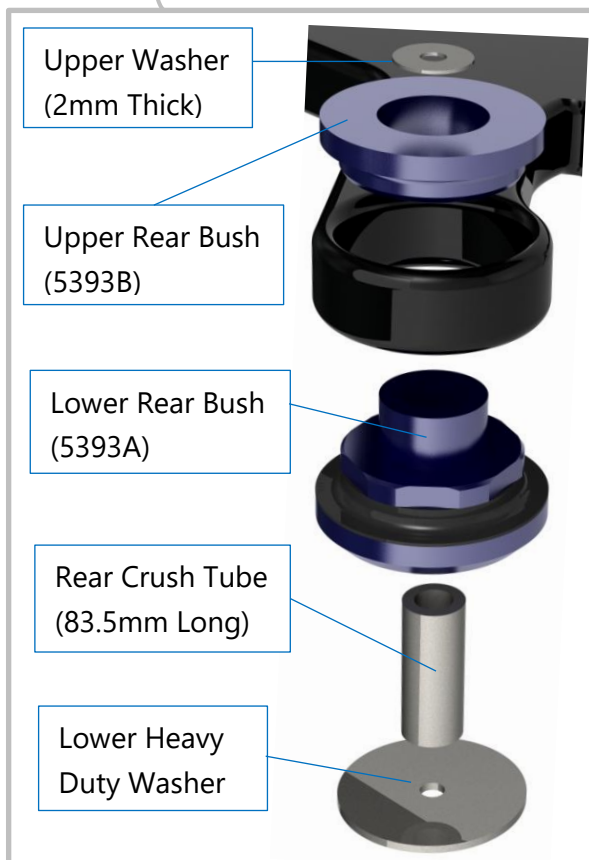


Figure 1: New SuperPro Bushes Position in Sub Frame



Fitting Instructions #5393IS

Note: Polyurethane bushes must be fitted to both sides of the vehicle.

- Jack vehicle up and put on stands/hoist, remove rear wheels, exhaust and disconnect the hand brake cable.
- Support the subframe with a long adjustable stand or similar, then remove the rear sub frame bolts.
- Lower the rear subframe until you have enough clearance (approx. 30mm) to place a pressing plate on top (around 95mm OD plate) for use to remove factory bushes. *Note: careful to not stretch any cable.*
- Setup press tool assembly to extract the factory bushes (refer Figure 2 below for example).
- Clean housing areas to remove any old original bushing materials.
- Apply grease supplied onto the housing and install the new polyurethane bushings according to Figure 1 above.
- Apply grease to the bore of the bushes, and outside of steel crush tube, then press the crush tube in.
- Refit the sub frame to the vehicle in reverse order, ensuring that you use manufactures torque settings and carry out a wheel alignment.

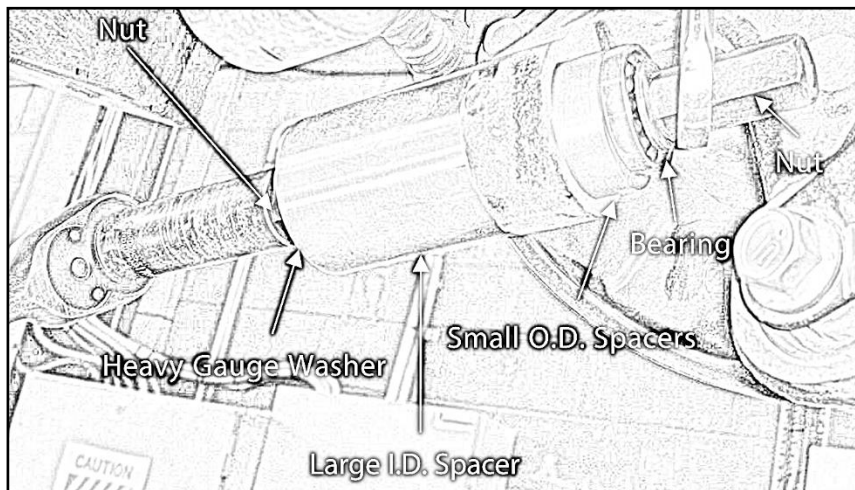


Figure 2: Press Tool Setup (Illustrative Purpose)

KIT CONTENT			
KIT No.	PART No.	DESCRIPTION	QTY.
SPF5393K	SPF5393A	REAR BUSH (COMPLETE WITH BLACK FLANGE BUSH)	2
	SPF5393B	REAR UPPER BUSH	2
	SPF5393T	CRUSH TUBE (36 X 22.2 X 83.5)	2
	5W900	WASHER (43.2 X 14.2 X 2)	1
	SPF5392A	FRONT BUSH (COMPLETE WITH BLACK FLANGE BUSH)	2
	SPF5392B	FRONT UPPER BUSH	2
	SPF5392T	CRUSH TUBE (36 X 22.2 X 88.5)	2
	SPF5392W	HEAVY WASHER (110 X 24.6 X 5)	4