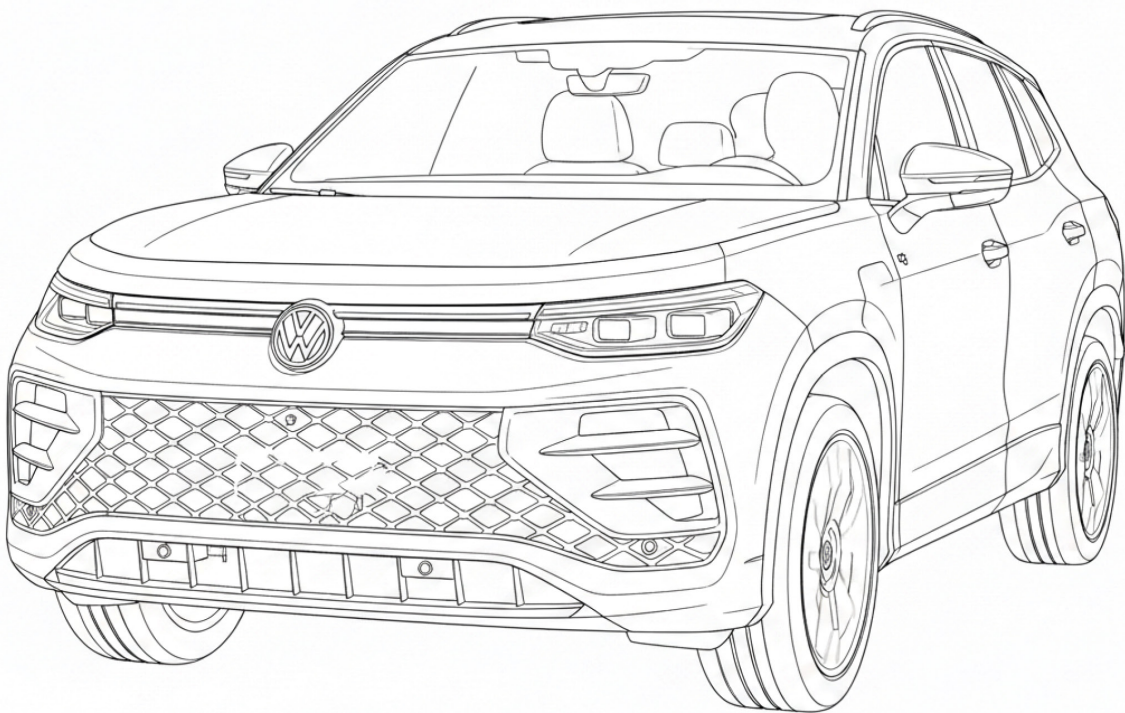




Behind you all the way

VW TAYRON CARGO BARRIER FITTING INSTRUCTION

Part #41434R



VEHICLE TYPE: SUV

MODEL YEAR: 2025



behind you all the way

VW TAYRON CARGO BARRIER FITTING INSTRUCTION
Part #41434R

General Notes

- Read through the fitting instructions before installation of the accessory. Install the accessory following the fitting instructions. Failure to do so may cause damage to the vehicle or the accessory.
- Ensure all recyclable discarded vehicle accessory components and packaging are recycled following local recycling regulations.
- It is always recommended that this accessory is fitted by a qualified Technician.
- Safely store and protect any removed vehicle components.
- Ensure all bare metal surfaces are protected using suitable automotive rust inhibitor.
- Remove all metal swarf and dust from all vehicle surfaces if surface is used for accessory installation.

Safety Notes

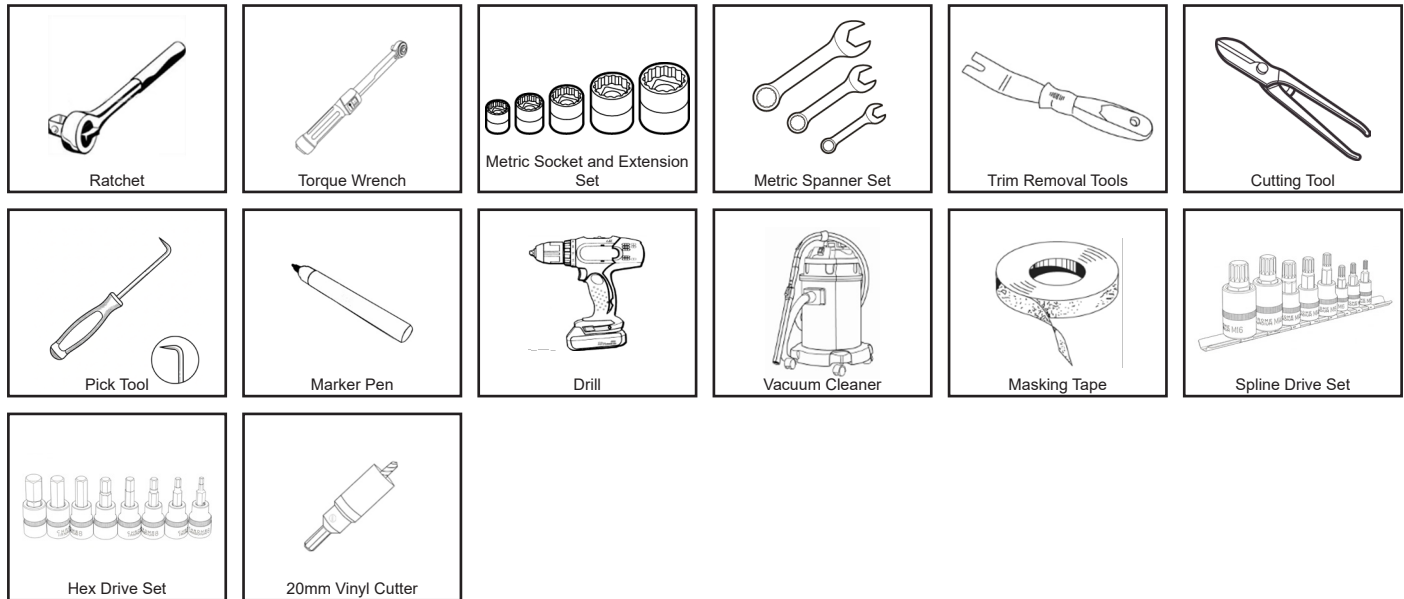
- Check that all work practices comply with safety standards.
- Please wear appropriate clothing and use safety equipment.



Fitting Time

Est. 90 minutes

Tools

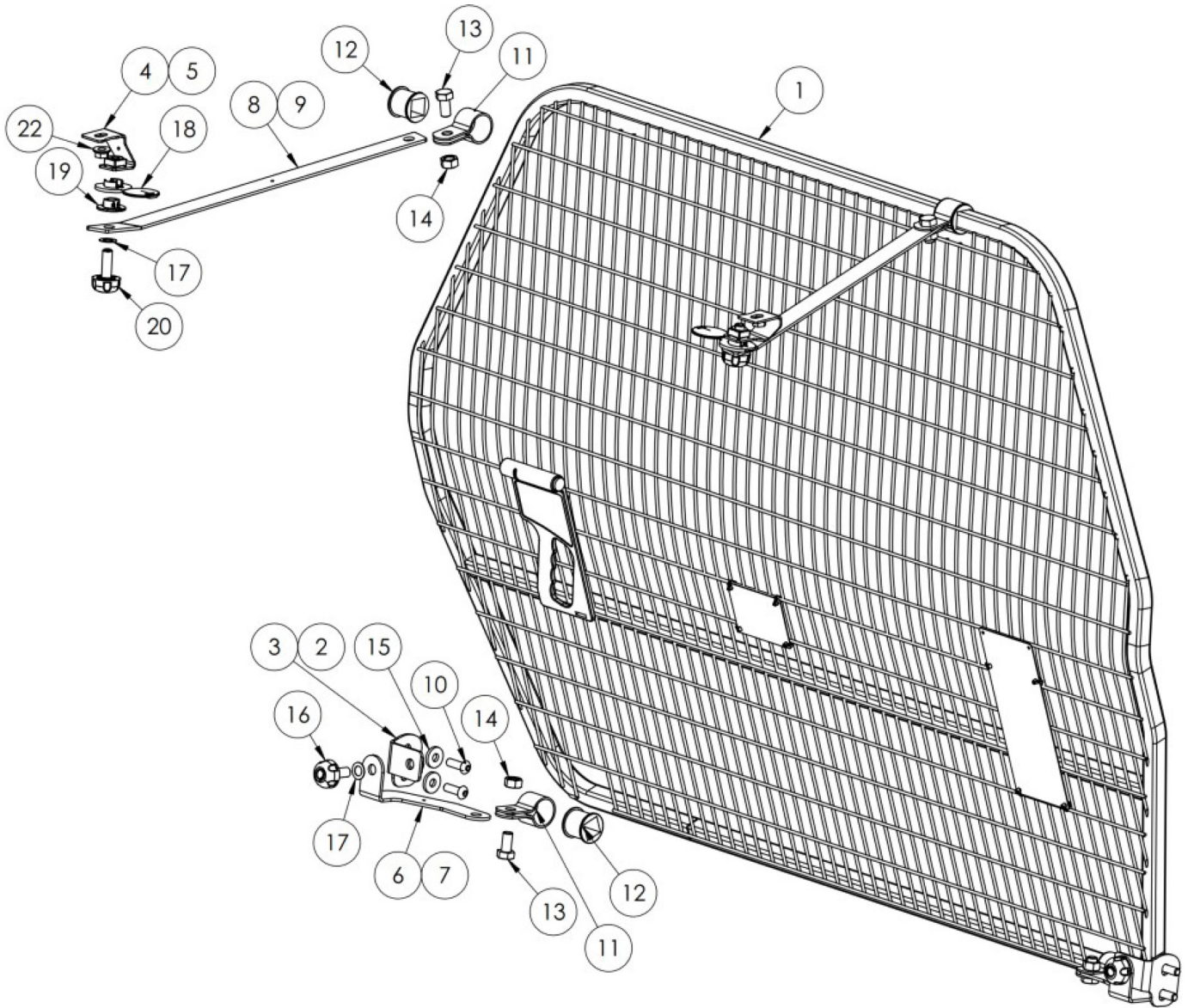




Behind you all the way

VW TAYRON CARGO BARRIER FITTING INSTRUCTION
Part #41434R


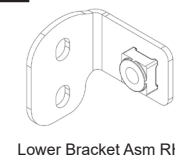
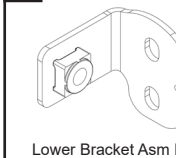
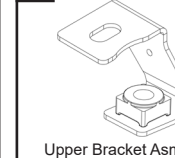
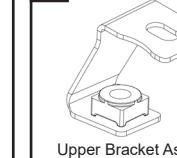
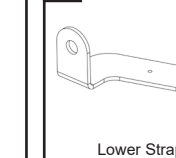
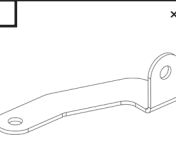
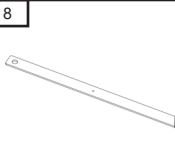
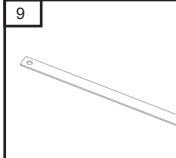
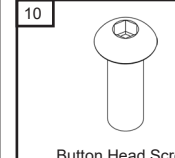
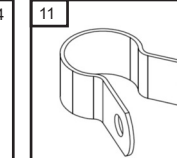
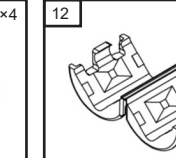
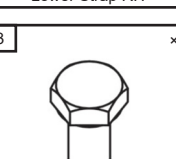
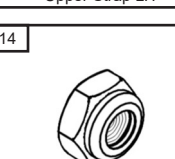
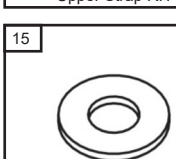
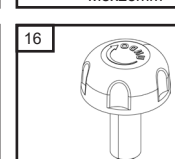
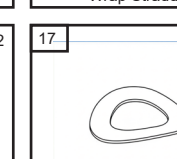
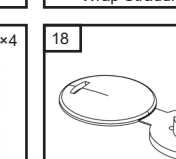
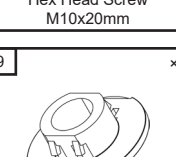
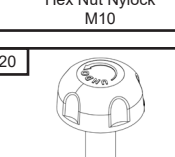
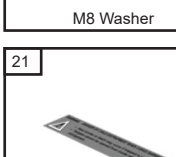
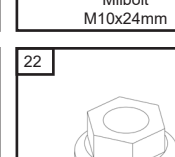
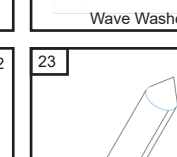
— Product Diagram —





Behind you all the way

VW TAYRON CARGO BARRIER FITTING INSTRUCTION
Part #41434R

1  Cargo Barrier x1	2  Lower Bracket Asm RH x1	3  Lower Bracket Asm LH x1	4  Upper Bracket Asm LH x1	5  Upper Bracket Asm RH x1	6  Lower Strap LH x1
7  Lower Strap RH x1	8  Upper Strap LH x1	9  Upper Strap RH x1	10  Button Head Screw M8x25mm x4	11  Wrap Straddle x4	12  Wrap Straddle Bush x4
13  Hex Head Screw M10x20mm x4	14  Hex Nut Nylock M10 x4	15  M8 Washer x4	16  Milbolt M10x24mm x2	17  Wave Washer x4	18  Trim Garnish x2
19  Trim Garnish Insert x2	20  Milbolt M10x29mm x2	21  Adhesive Warning Label x1	22  Flange Nut M8 x2	23  Marking Pin M10x40mm x1	



Behind you all the way

VW TAYRON CARGO BARRIER FITTING INSTRUCTION
Part #41434R

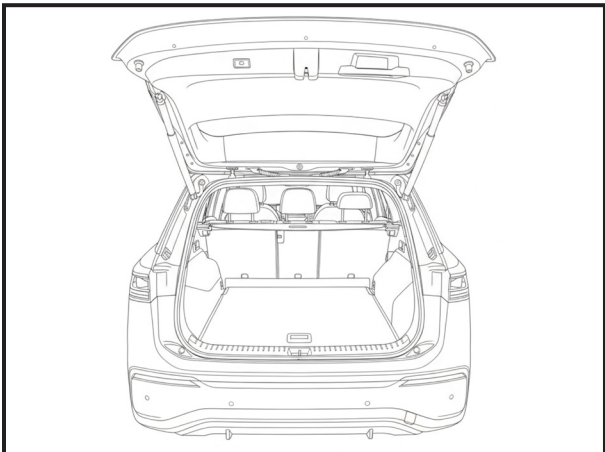
Important
 Always refer to relevant user manuals when removing vehicle components.



Step 1

Park the vehicle in a suitable location.

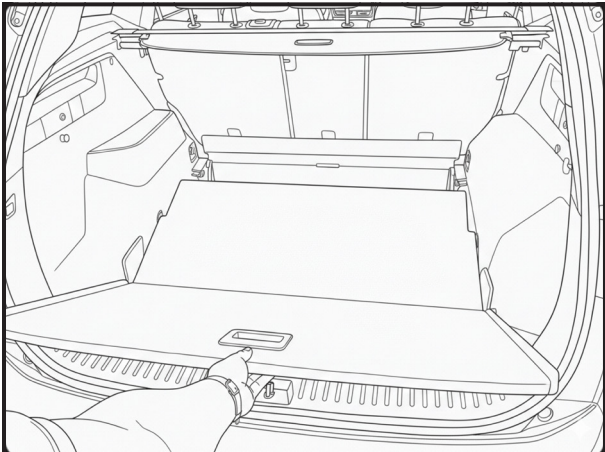
Open the tailgate to expose the cargo area.



Step 2

Remove the cargo floor from the vehicle by lifting the rear half as shown.

Stow in a safe place.





Behind you all the way

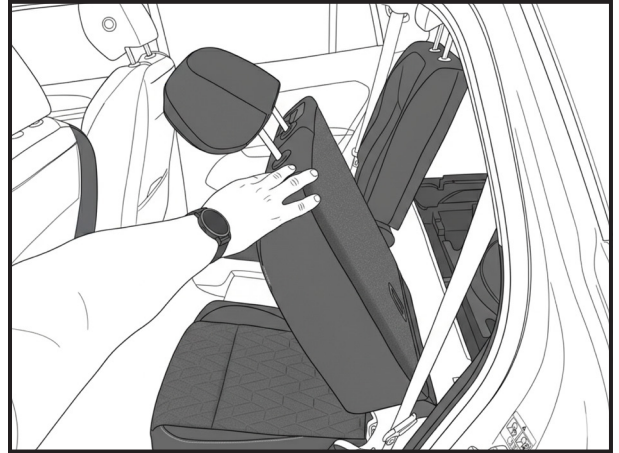
VW TAYRON CARGO BARRIER FITTING INSTRUCTION

Part #41434R

Step 3

Open the rear passenger doors.

Fold the rear seats forward to aid access to the cargo area



Step 4

Identify the D-anchor locations on the rear quarter trim panels.

These will be removed and used as the lower mounting locations for the cargo barrier.



Step 5

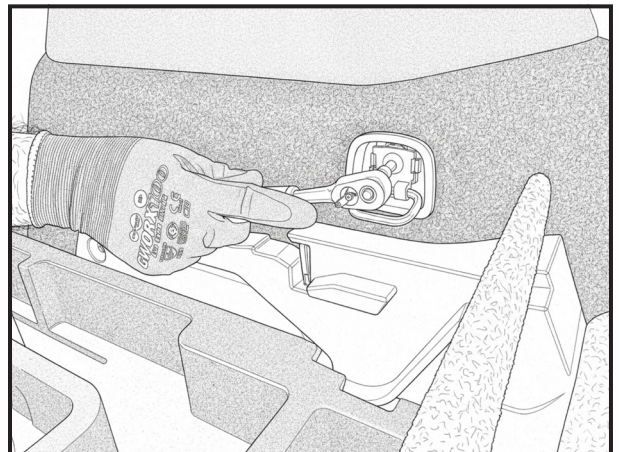
Working on the LHS quarter trim panel, unclip the plastic cover from the D-anchor.

Unscrew the D-anchor retaining screw.

Remove the D-anchor bracket from the vehicle & discard.

Repeat on the RHS of the vehicle.

Tools Used
Pick Tool
Ratchet
Spline Drive Set





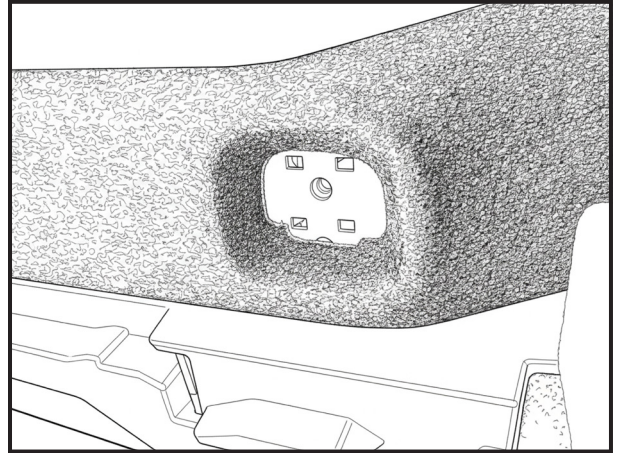
Behind you all the way

VW TAYRON CARGO BARRIER FITTING INSTRUCTION
Part #41434R

Step 6

The sheet metal beneath the D-anchor bracket will now be exposed (LHS shown).

A small cut is required to the carpet trim - this will expose the second captive thread required for the lower mounting bracket.

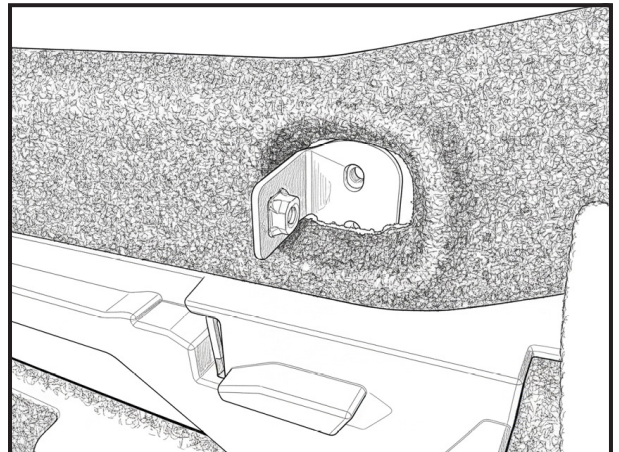


Step 7

Slide the Lower Mounting Bracket Asm. LH (3) into the opening in the carpet trim and align it with the captive threads.

Use the bracket as a template to mark on the carpet trim where a cut is required.

Note: The LH Mounting Bracket can be identified by a 3mm hole that is not present on the RH bracket.

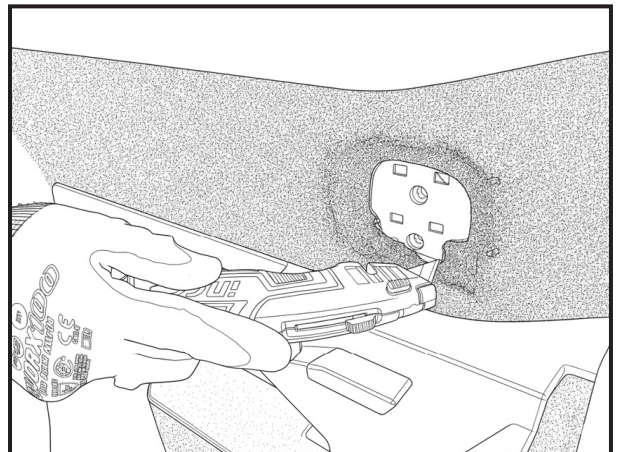


Step 8

Cut the carpet trim section using a knife or similar suitable cutting tool.

Ensure a sufficient space is exposed to allow the Lower Mounting Bracket Asm. LH (3) to sit flush on the vehicle sheet metal.

Tools Used
Cutting Tool





VW TAYRON CARGO BARRIER FITTING INSTRUCTION

Part #41434R

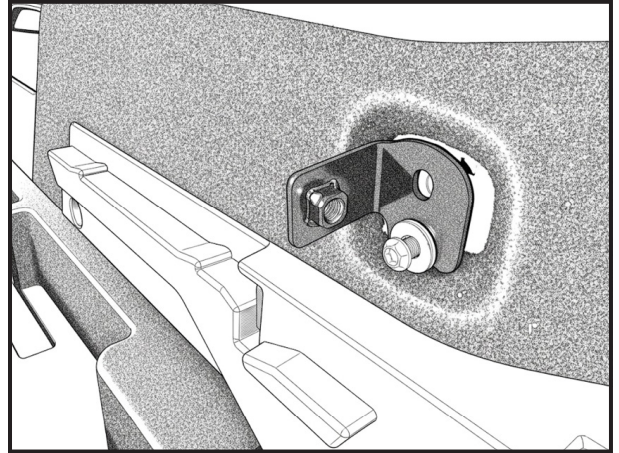
Behind you all the way

Step 9

Place the Lower Mounting Bracket Asm. LH (3) over the cut area and align with the captive threads.

Use an M8 Button Head Screw (10) and M8 Washer (15) to hold the Bracket in place.

Note: The flange on the Bracket with the weld nut should face the rear of the vehicle.

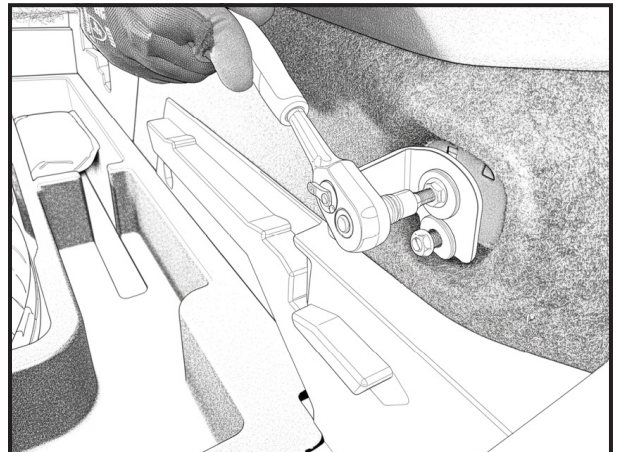


Step 10

Insert another M8 Button Head Screw (10) and M8 Washer (15) into the remaining slot in the Bracket.

Hand-tighten both screws.

Tools Used
Ratchet
Hex Drive Set



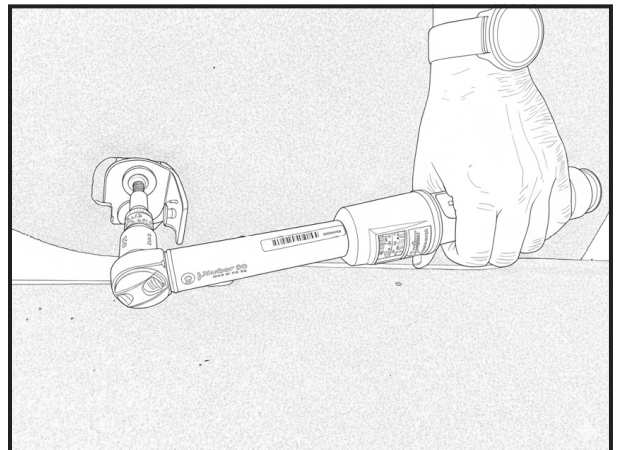
Step 11

Repeat steps 5-10 on the RHS of the vehicle to fit the Lower Mounting Bracket Asm. RH (2).

Using a torque wrench, tighten all M8 Button Head Screws to 22Nm.

Tools Required:
Torque Wrench
Hex Drive Set

Tools Used
Torque Wrench
Hex Drive Set





Behind you all the way

VW TAYRON CARGO BARRIER FITTING INSTRUCTION

Part #41434R

Step 12

On the LHS of the vehicle, use a trim removal tool to prise open the D-pillar interior trim panel.

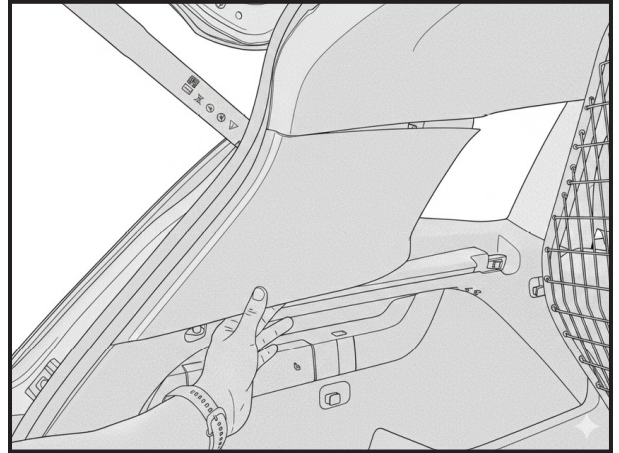
Carefully unclip and remove it from the vehicle.

Stow in a safe place.

Repeat on the RHS.

Tools Used

Trim Removal Tools



Step 13

At the top of the tailgate opening, using a trim removal tool, carefully prise open the hoodlining to create a 40-50mm gap.

Take extra care to not crease the hoodlining by pulling it down excessively.

The tailgate hinge bracket studs should now be visible from inside the hoodlining.



Step 14

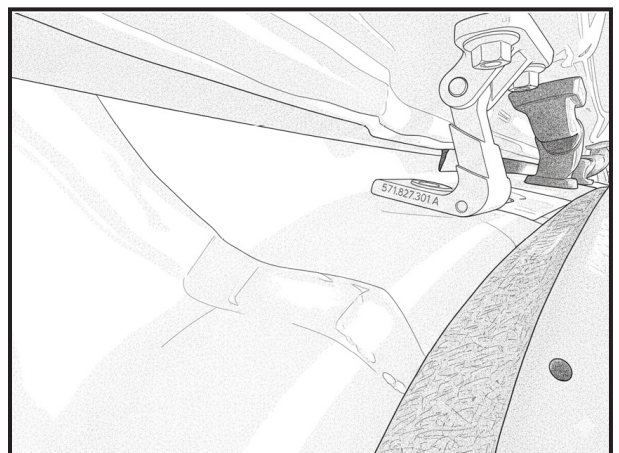
Using Masking Tape and a Marker Pen, mark the position of each of the tailgate hinge brackets on the outside of the vehicle.

Note: This position is critical in case the tailgate moves during the following process.

Tools Used

Masking Tape

Marker Pen





Behind you all the way

VW TAYRON CARGO BARRIER FITTING INSTRUCTION

Part #41434R

Step 15

Ask an assistant to hold the vehicle's tailgate steadily whilst Steps 16-18 are carried out.

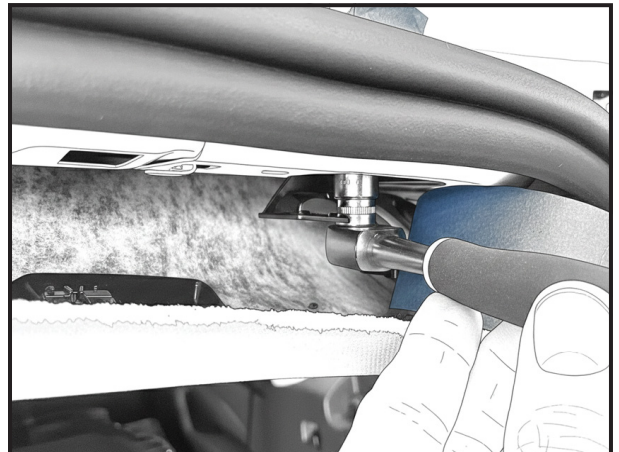


Step 16

Using a Ratchet and 13mm socket, remove the flange nut from the RHS hinge stud.

Discard the nut.

Tools Used
Ratchet
Metric Socket Set



Step 17

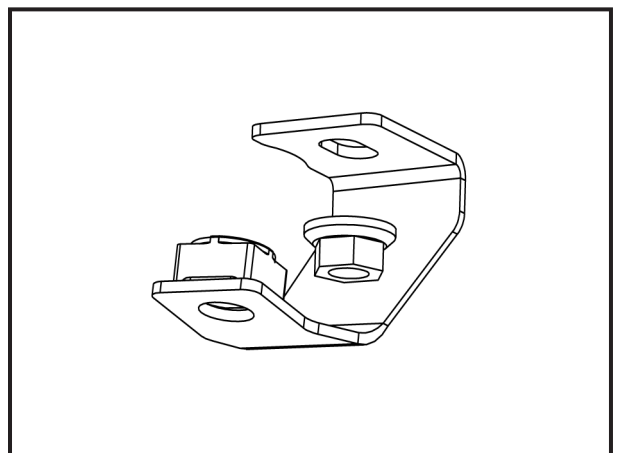
Place the Upper Mounting Bracket Asm. RH (5) over the vacated tailgate hinge stud.

Secure in place with an M8 Flange Nut (22).

Tighten M8 Flange Nut to 22Nm using a Torque Wrench.

Note: The LH Bracket has a 3mm identifying hole. The RH Bracket does not.

Tools Used
Ratchet
Torque Wrench
Metric Socket Set





Behind you all the way

VW TAYRON CARGO BARRIER FITTING INSTRUCTION

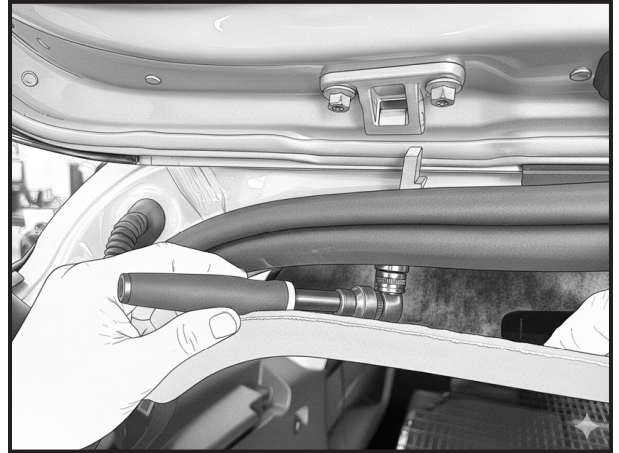
Part #41434R

Step 18

Repeat Steps 16-17 on the LHS of the vehicle to fit the Upper Mounting Bracket Asm. LH (4).

Tighten M8 Flange Nut to 22Nm using a Torque Wrench.

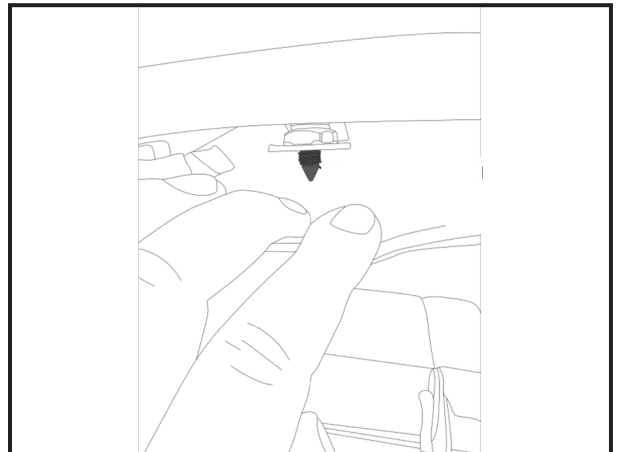
Tools Used
Ratchet
Torque Wrench
Metric Socket Set



Step 19

Insert a Marking Pin (23) into the weld nut on the Upper Mounting Bracket Asm. RH.

Ensure the pointed end is facing down against the roof lining.



Step 20

Apply upward pressure to the roof lining in the area where the marking pin makes contact.

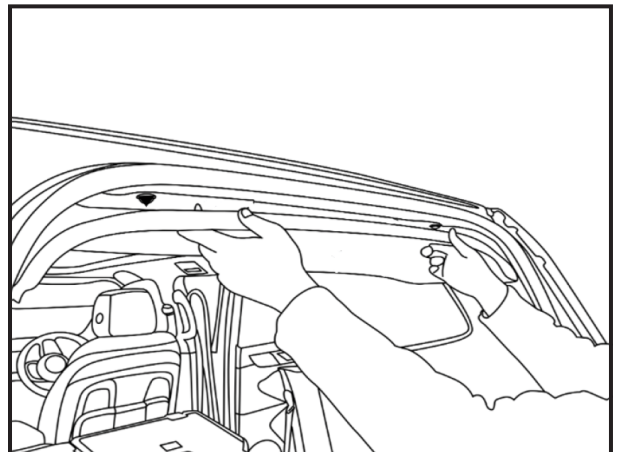
A witness mark should appear on the inside of the roof lining.

Mark the location with Masking Tape & a Marker Pen if required.

Repeat on the LHS of the vehicle so that both locations are marked.

Remove the Marking Pin & discard.

Tools Used
Masking Tape
Marker Pen





Behind you all the way

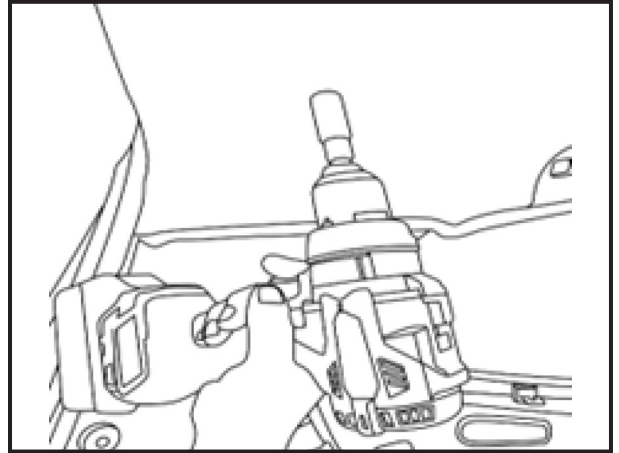
VW TAYRON CARGO BARRIER FITTING INSTRUCTION
Part #41434R

Step 21

Using a Cordless Drill & 20mm Vinyl Cutter, drill 20mm holes in the locations marked on the roof lining.

Note: Use a backing block or similar to ensure the drill does not contact the sheet metal roof behind the roof lining.

Tools Used
Drill
20mm Vinyl Cutter



Step 22

Vacuum up any swarf created from the drilling process

Remove the masking tape previously applied.

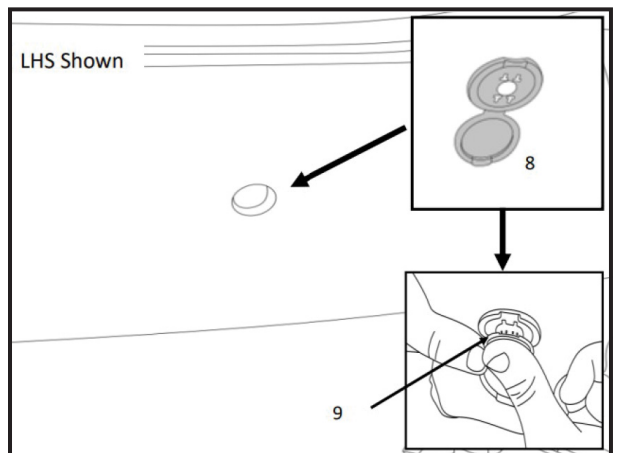
Tools Used
Vacuum cleaner



Step 23

Fit a Trim Garnish (18) to each of the drilled holes in the roof lining.

Insert a Trim Garnish Insert (19) into each of the Trim Garnishes until they click into place.





Behind you all the way

VW TAYRON CARGO BARRIER FITTING INSTRUCTION
Part #41434R

Step 24

Refit the roof lining to the vehicle.

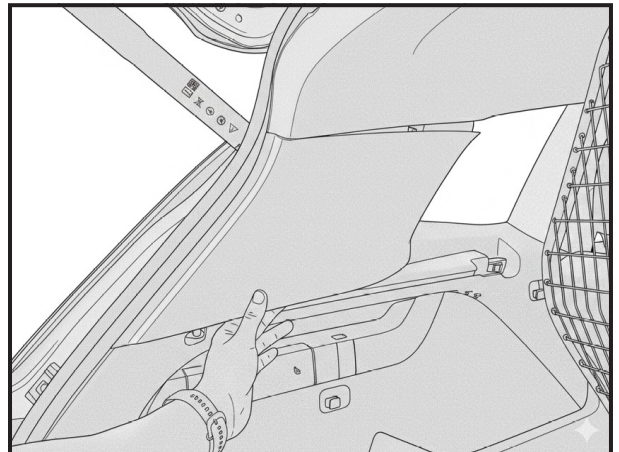
Ensure the drilled holes align with the Brackets installed in the roof.

If necessary, loosen and adjust the Upper Mounting Brackets. Ensure they are re-torqued.



Step 25

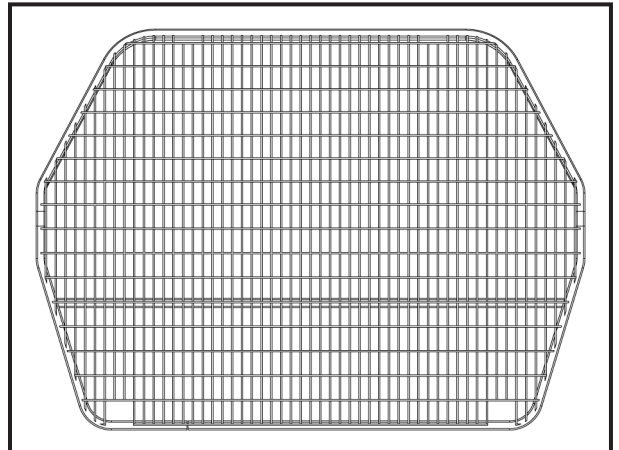
Refit the D-pillar trim panels.



Step 26

Working outside of the vehicle, identify the four locations on the cargo barrier where the Wrap Saddles will be fitted.

These are made obvious by the cut out sections of the mesh.



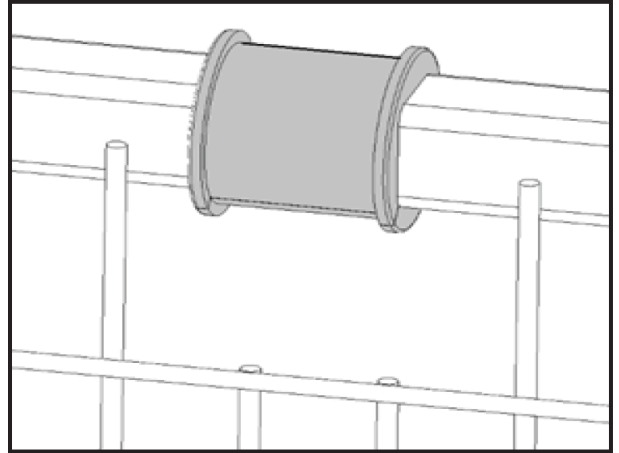


Behind you all the way

VW TAYRON CARGO BARRIER FITTING INSTRUCTION
Part #41434R

Step 27

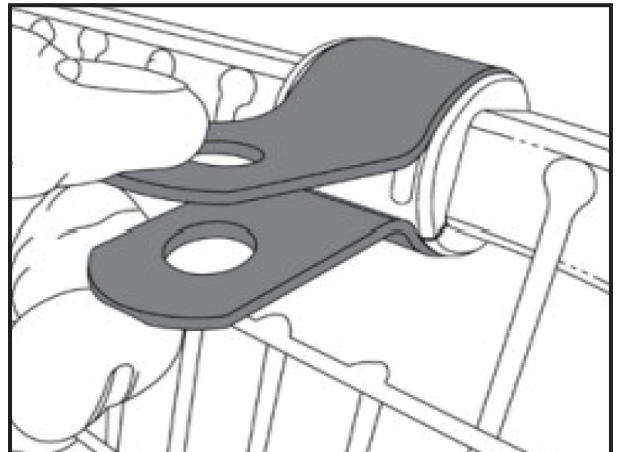
Fit a Wrap Saddle Bush (12) at each of the four mesh cut out locations.



Step 28

Fit a Wrap Saddle (11) over each of the Bushes applied in the previous step.

Using your fingers, manipulate the Wrap Saddle to tighten it over the Bush so that it stays in place.



Step 29

Using an M10 Hex Screw (10) and M10 Nyloc Nut (11), fit the Lower Strap RH (7) to the Cargo Barrier.





VW TAYRON CARGO BARRIER FITTING INSTRUCTION

Part #41434R

Behind you all the way

Step 30

Tighten the Nut & Screw using a Ratchet, 18mm Socket & 17mm Spanner.

The Lower Strap should firmly retain its position, but be able to pivot into place as required.

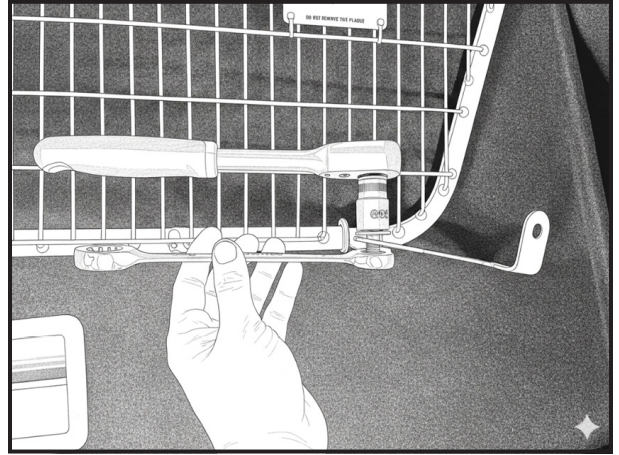
Repeat on the LHS of the Barrier with the Lower Strap LH.

Tools Used

Ratchet

Metric Socket Set

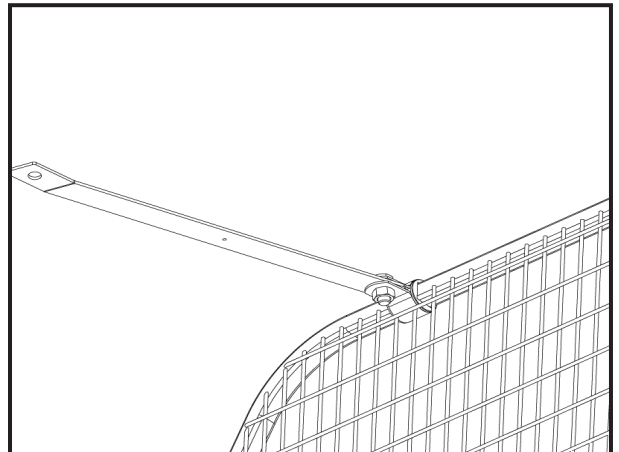
Metric Spanner Set



Step 31

Repeat the fitment process from the previous two steps for the Upper Strap LH and Upper Strap RH.

Note: The Upper Strap LH has a 3mm identifying hole as shown.



Step 32

Stand the vehicle rear seats back up into their upright position.





Behind you all the way

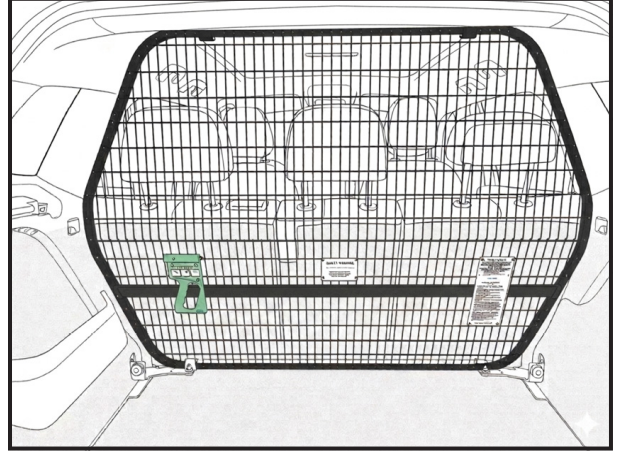
VW TAYRON CARGO BARRIER FITTING INSTRUCTION

Part #41434R

Step 33

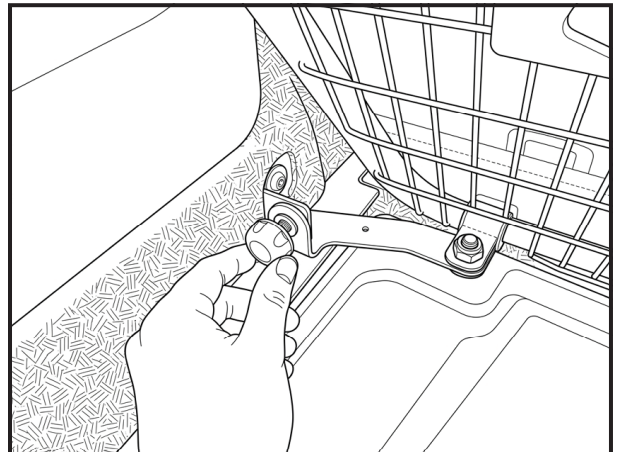
Manoeuvre the Cargo Barrier into the vehicle cargo compartment directly behind the rear seats.

The Mesh side of the Cargo Barrier should be facing the rear of the vehicle.



Step 34

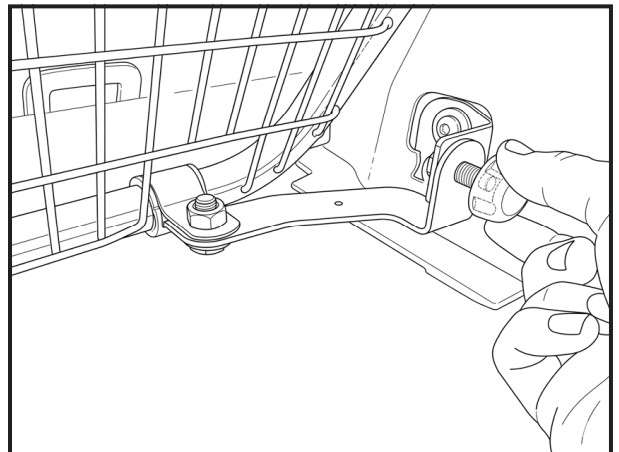
Using a 24mm Milbolt (16) with a Wave Washer (17) under the head, attach the Lower Strap LH to the Lower Mounting Bracket Asm. LH as shown.



Step 35

Repeat on the RHS of the vehicle.

Tighten both Milbolts 1-2Nm.





Behind you all the way

VW TAYRON CARGO BARRIER FITTING INSTRUCTION

Part #41434R

Step 36

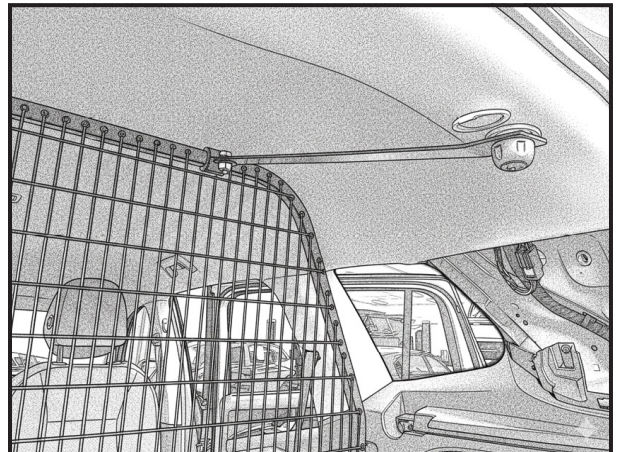
Using a 29mm Milbolt (20) with a Wave Washer (17) under the head, attach the Upper Strap LH to the Upper Mounting Bracket Asm. LH as shown.



Step 37

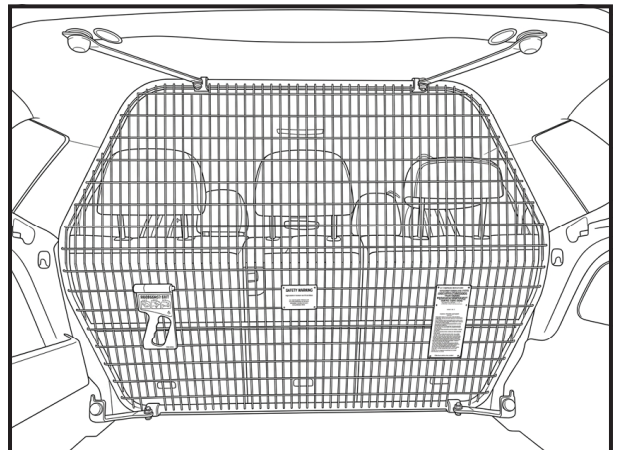
Repeat on the RHS of the vehicle.

Tighten both Milbolts 1-2Nm.



Step 38

The Cargo Barrier installation is now complete.





VW TAYRON CARGO BARRIER FITTING INSTRUCTION

Part #41434R

THIS PAGE INTENTIONALLY LEFT BLANK